



# Commercial Top-Load Washer

With 100 years of experience in the industry and features that streamline service, Whirlpool® Commercial Laundry machines provide performance with the quality you expect.

Featuring Factory-Installed  
Coin Slide and Coin Box

## Commercial-Grade Features:

Choose a commercial-built product that withstands heavy traffic, regular use, and performs continuously.



### Deep-Water Wash System

Provides optimal wash performance with deep-water wash and rinse cycle options and vigorous cleaning action.



### Traditional Flex-Vane Agitator

Provides four distinct wash profiles—from aggressive to gentle—designed to pull clothes from the top to the bottom of the wash basket.



### Galvanized, Heavy-Gauge Cabinet

Built from thick-gauge, high-quality steel, this cabinet handles high-traffic and constant use while offering top-caliber protection to the internal components.



### Commercial-Grade Motor

The immensely powerful, ½-HP motor is designed to effectively deliver consistent, quality cleaning performance for any load—both the everyday and the extra-large.



### Premium Bearings

The high-quality bearings minimize friction as the machine runs, and are sealed for added longevity, helping to keep the machine running smoothly with every cycle.



### Full-Wrap Console

The metal console wraps completely around the back of the machine, making it easy to clean, and offering optimal protection against unexpected liquid spills or vapor.

## CAE2745FQ—27" Commercial Washer

- 2.9-cu.-ft. Capacity
- 700-RPM Spin Speed
- Cycle Indicator LEDs
- Extra-Large Lid and Tub Opening
- 6' Inlet Hose and 4' Drain Hose Included
- Top-Lock and Coin Box Factory-Installed, Keys Secured to Meter
- Factory Coin Slide and Coin Box Equipped
- 90-Day Labor/2-Year Limited Parts Only Warranty\*

\*See [whirlpoolcommerciallaundry.com](http://whirlpoolcommerciallaundry.com) for complete warranty details.

# Commercial Top-Load Washer

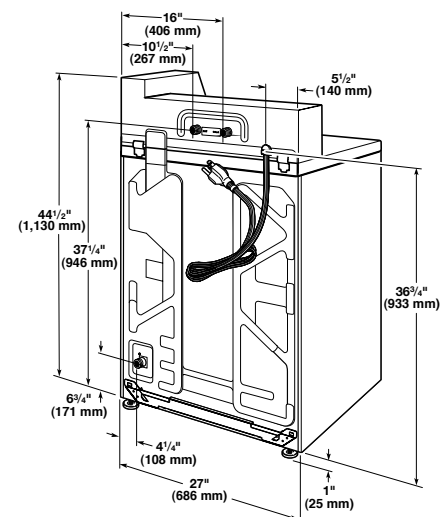
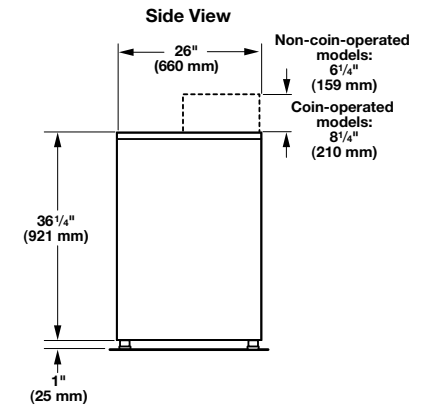
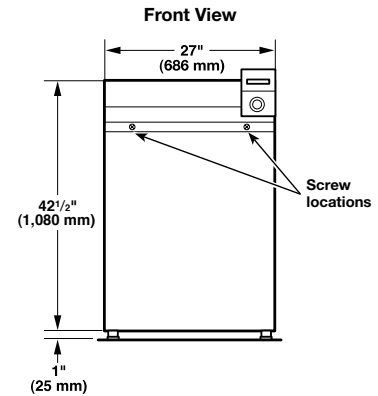
## Featuring Factory-Installed Coin Slide and Coin Box



### Washer Specifications

|  |                             |
|--|-----------------------------|
| Model                                    | CAE2745FQ                   |
| Motor Size—HP (kw)                       | 1/2 (.37)                   |
| Modified Energy Factor (MEF)             | 8.5                         |
| Water Factor (WF)                        | 1.6                         |
| Approximate Water Usage—Gallons (Liters) |                             |
| Average total water usage per cycle      | 24.65 (93.3)                |
| Average hot water usage warm water cycle | 0.53 (2)                    |
| Average hot water usage hot water cycle  | 6.51 (24.6)                 |
| Extract Speed—Max G-Force / Max RPM      | 144/700                     |
| Capacity                                 |                             |
| Cylinder volume—cu. ft. (liters)         | 2.9 (82)                    |
| Cylinder diameter—in. (mm)               | 20.8 (528)                  |
| Cylinder depth—in. (mm)                  | 23.8 (605)                  |
| Dimensions                               |                             |
| Width—in. (mm)                           | 27 (686)                    |
| Depth—in. (mm)                           | 26 (660)                    |
| Height—in. (mm)                          | 44-1/2 (1,130)              |
| Lid opening—in. (mm)                     | 17 (432)                    |
| Crated Dimensions                        |                             |
| Width—in. (mm)                           | 29 (737)                    |
| Depth—in. (mm)                           | 27.5 (699)                  |
| Height—in. (mm)                          | 49 (1,255)                  |
| Approximate Weight                       |                             |
| Uncrated—lbs. (kg)                       | 158 (71.7)                  |
| Crated—lbs. (kg)                         | 176 (81.2)                  |
| Electrical Requirements                  |                             |
| Electrical rating—voltage/HZ             | 120/60                      |
| Breaker/Fuse—amps                        | 15                          |
| Water Inlet/Hose                         |                             |
| Operating pressure PSI (bar)             | 20–100 (1–8)                |
| Inlet hose length—ft. (m)                | 6 (1.8)                     |
| Drain hose length—ft. (m)                | 4 (1.3)                     |
| Warranty                                 | 2-Year Limited/90-Day Labor |

Dimensions are for planning purposes only. See specific instructions for proper installation. Because of continuous product improvement, Maytag reserves the right to change specifications without notice.



### 2-YEAR LIMITED PARTS ONLY WARRANTY/90-DAY LABOR

For 90 days from the date of original purchase, when this commercial appliance is installed, maintained and operated according to instructions attached to or furnished with the product, Whirlpool Corporation (hereafter "Whirlpool") will pay for factory-specified replacement parts and repair labor to correct defects in materials or workmanship that existed when this commercial appliance was purchased. For the first two years from the date of purchase, when this major appliance is installed, maintained and operated according to the instructions attached to or furnished with the product, Whirlpool will pay for factory-specified replacement parts to correct defects in materials or workmanship that existed when this commercial appliance was purchased.