

COMBINATION INSTALLATIONS



EO, MOH or MOV Wall Oven/ Microwave In-A-Drawer/Warming Drawer

PLANNING GUIDE

WARNING

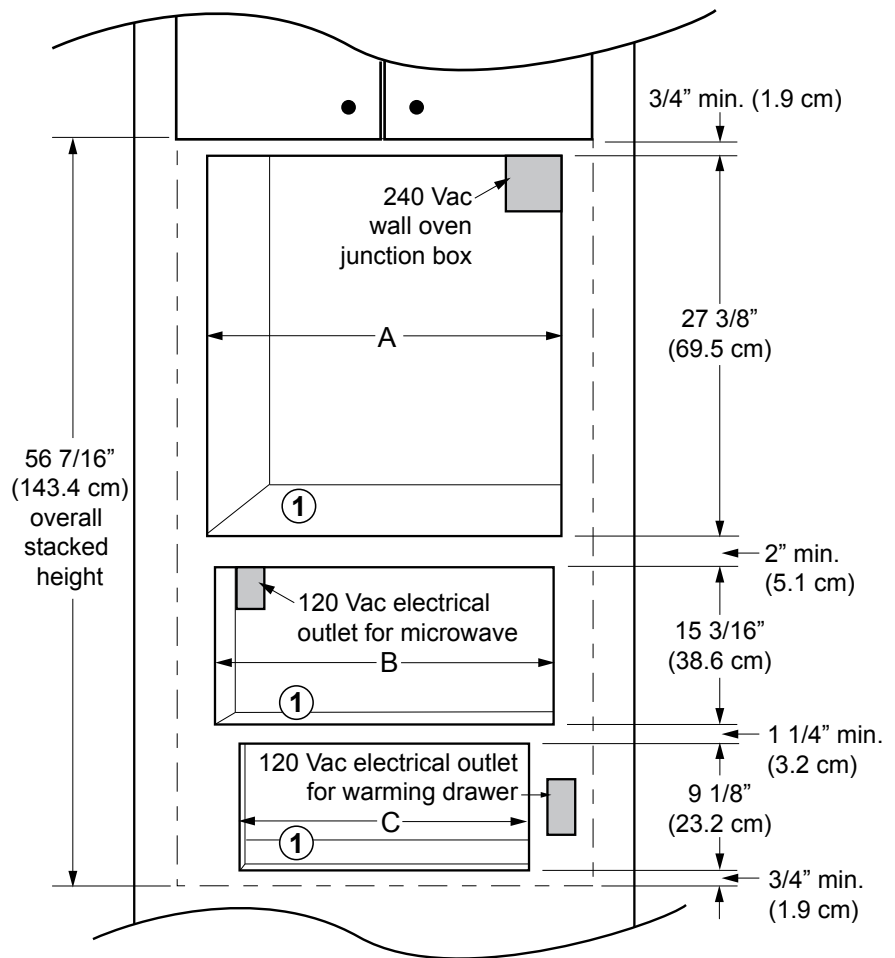
- Observe all governing codes and ordinances during planning and installation. Contact your local building department for further information.
- All appliances must be installed in accordance with the accompanying installation instructions.

All tolerances: +1/16" (+1.6 mm), -0, unless otherwise stated.

Wall Oven Models	(A) Cutout Width
Single 27"	25 1/2" (64.8 cm)
Single 30"	28 1/2" (72.4 cm)

Microwave Model No.	(B) Cutout Width
MMD24	22 1/4" (56.5 cm)
MMD30(V)	28 1/2" (72.4 cm)

Warming Drawer Models	(C) Cutout Width
27"	25 1/2" (64.8 cm)
30"	28 1/2" (72.4 cm)



CUTOUT DIMENSIONS



NOTE:

1. 3/4" (1.9 cm) support platform (flush with cutout).
2. See individual appliance Planning Guide pages to determine overlays.
3. Spacing between appliances and drawers/doors shown is minimum required to allow for ventilation and prevent scraping. Additional space may need to be added for appearance.