

Installation Instructions

24" BUILT-IN OVEN

? If you have questions, call GE Appliances at 800.GE.CARES (800.432.2737) or visit our website at: GEAppliances.com.

BEFORE YOU BEGIN

Read these instructions completely and carefully.

- **IMPORTANT** — Save these instructions for local inspector's use.
- **IMPORTANT** — Observe all governing codes and ordinances.
- **Note to Installer** – Be sure to leave these instructions with the Consumer.
- **Note to Consumer** – Keep these instructions with your Use and Care Guide for future reference.
- **ATTENTION INSTALLER** – All ovens must be hard wired (direct wired) into an approved junction box. A "plug and receptacle" is not permitted on these products.

FOR YOUR SAFETY

Be sure your oven is installed properly by a qualified installer or service technician.

- Be sure the oven is securely installed in a cabinet that is firmly attached to the house structure. Weight on the oven door could cause the oven to tip, resulting in serious personal injury or death. Never allow anyone to climb, sit, lean, stand or hang on the oven door.
- The wall coverings, countertop and cabinets around the oven should be able to withstand the heat (up to 200°F) generated by the oven.

LOCATION

Cabinet space must be provided to enclose the recessed part of your built-in oven. **SINGLE OVEN INSTALLATION** — See Figure 1 for all necessary dimensions. **DOUBLE OVEN INSTALLATION** — See Figure 2 for all necessary dimensions. It is best to make a template to insure accurate cutting. Place the bottom of the template on a level base line, above the floor. See dimension E in Figure 1 (Single Oven) or Figure 2 (Double Oven).

It is important that the oven be installed at or above the minimum height specified. The unit has been tested and approved, in accordance with safety standards, at this height.

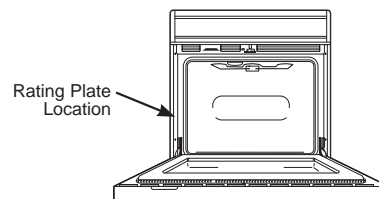
TOOL LIST

- 1/8" Drill Bit
- Electric or Hand Drill
- Flat Blade screwdriver
- Ruler
- Hand or saber saw
- Pencil

ELECTRICAL REQUIREMENTS

⚠ WARNING The electrical power to the oven supply line must be shut off while connections are being made. Failure to do so could result in serious injury or death.

This appliance must be supplied with the proper voltage and frequency, and connected to an individual, properly grounded branch circuit, protected by



a circuit breaker or fuse having amperage as noted on rating plate. (Rating plate is located on front frame.) We recommend you have the electrical wiring and hookup of your oven done by a qualified electrician. After installation, have the electrician show you where your main oven disconnect is located.

Check with your local utilities for electrical codes which apply in your area. Failure to wire your oven according to governing codes could result in a hazardous condition. If there are no local codes, your oven must be wired and fused to meet the requirements of the National Electrical Code, ANSI/NFPA No. 70-Latest Edition. You can get a copy of the National Electrical Code, ANSI/NFPA NO. 70-Latest Edition by writing:

**National Fire Protection Association
Batterymarch Park
Quincy, MA 02269**

Effective January 1, 1996, the National Electrical Code requires that new, but not existing, construction utilize a 4 conductor connection to an electric oven. When installing an electric oven in new construction, a mobile home, recreational vehicle or an area where local codes prohibit grounding through the neutral conductor, follow the instructions in NEW CONSTRUCTION AND FOUR-WIRE CORD CONNECTION KIT.

You must use a three-wire, single-phase A.C. 208Y/120 Volt or 120/240 Volt, 60 Hertz electrical system. If you connect to aluminum wiring, properly installed connections approved for use with aluminum wiring must be used.

Installation Instructions

PREPARE OPENING

SINGLE OVEN

NOTE: Locate an approved junction box in the suggested location, a minimum of 23 7/8" above the runners.

Be sure the oven support is solid enough to support 90 pounds. Also be sure the oven support is level and straight. There is no way to level the oven after installation.

If a solid bottom is used instead of runners, a 6" x 10" rectangle must be cut out of the bottom (See Fig. 1) for optimum performance and proper air circulation.

DIMENSIONS

- A. Cabinet Width - 24"
- B. Cutout Width - 22 1/2"
- C. Cutout Height - 27 5/8" Min. 28 1/8" Max.
- D. Cutout Depth - 23 1/2" Min.
- E. Cutout Location - 32 1/2"
- H. Overall Height - 28 1/4"
- W. Overall Width - 23 3/4"

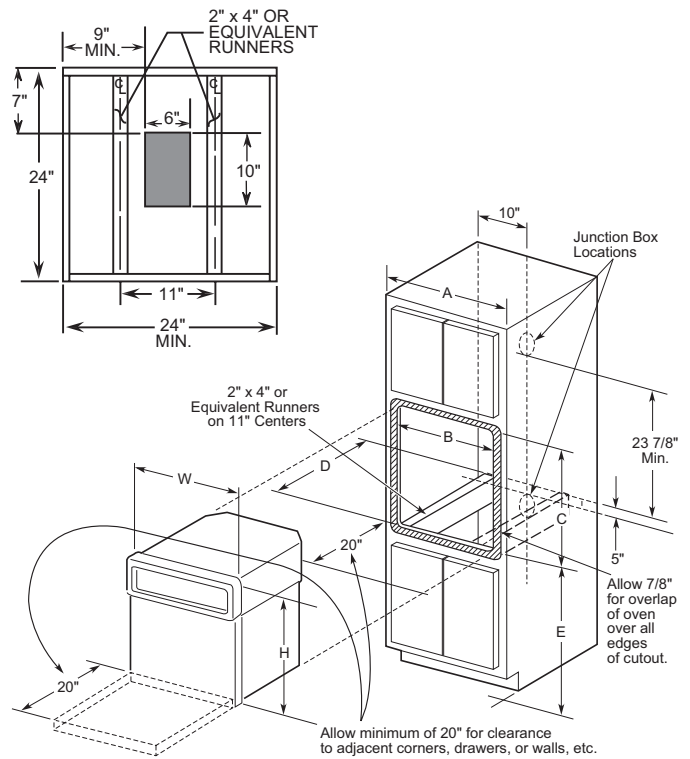


Fig. 1 — Single Oven

DOUBLE OVEN

NOTE: Locate an approved junction box in the suggested location, a minimum of 48" above the runners.

Be sure the oven support is solid enough to support 155 pounds. Also be sure the oven support is level and straight. There is no way to level the oven after installation.

If a solid bottom is used instead of runners, a 6" x 10" rectangle must be cut out of the bottom (See Fig. 2) for optimum performance and proper air circulation.

DIMENSIONS

- A. Cabinet Width - 24" Min.
- B. Cutout Width - 22 1/2"
- C. Cutout Height - 48 1/8"
- D. Cutout Depth - 23 1/2" Min.
- E. Cutout Location - 12 3/4" Min.
- H. Overall Height - 48 3/4"
- W. Overall Width - 23 3/4"

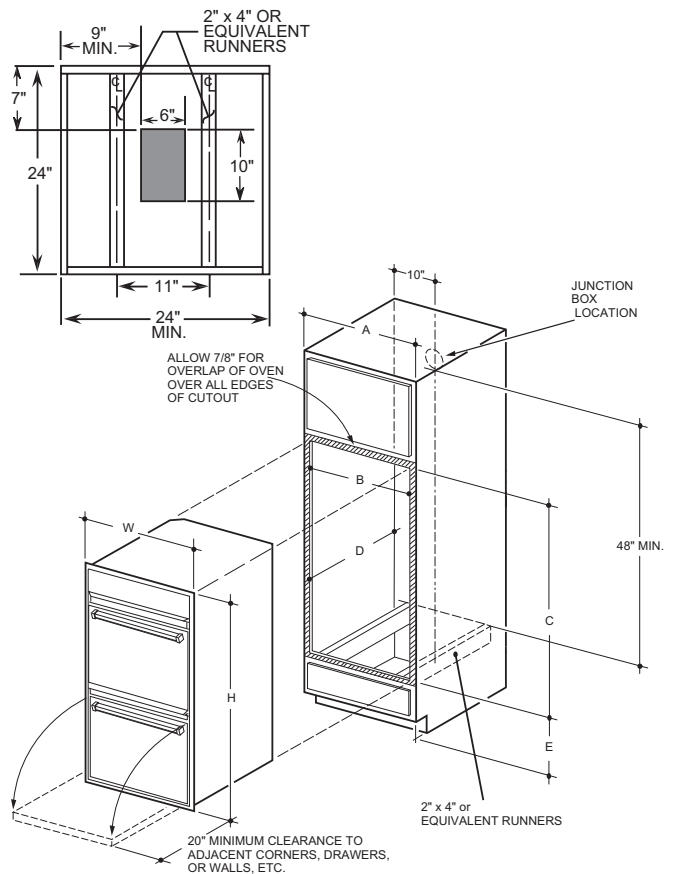


Fig. 2 — Double Oven

Installation Instructions

IMPORTANT: Remove all packing material and literature from the oven before connecting any electrical supplies.

ELECTRICAL CONNECTION

1. De-energize oven branch circuit.
2. With oven in front of cabinet opening, connect flexible power cable to the junction box in such a manner that it will hang down in a natural loop against the left side of the back wall when the oven is installed. Do not shorten this flexible power cable. The flexible conduit connector must be securely attached to the junction box and the flexible conduit must be securely attached to the connector. If the flexible conduit will not fit within the connector, do not install the oven until a connector of the proper size is obtained.

All new construction, mobile homes, recreational vehicles and installations where local codes do not allow grounding through neutral require a four-conductor branch circuit. For existing construction, a three-conductor branch circuit connection may be used.

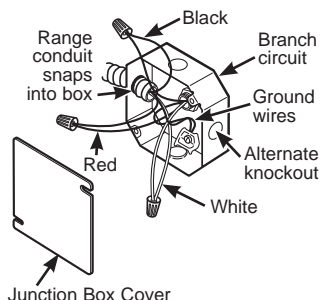
NEW CONSTRUCTION AND FOUR CONDUCTOR BRANCH CIRCUIT CONNECTION

- When installing in a new construction, or
- When installing oven in a mobile home or recreational vehicle, or
- When local codes do not permit grounding through neutral:

NOTE: If residence leads or ground are aluminum conductors, see WARNING note.

When connecting to a four-conductor branch circuit, if local codes permit:

1. Free the neutral (white) lead from being restrained to any other wires. If necessary, cut the neutral (white) lead and then re-strip it to expose the proper length of conductor.
2. Attach the appliance grounding lead (green or bare copper) in accordance with local codes.
3. Connect the oven neutral (white) lead to the branch circuit neutral (white or gray) in accordance with local codes, using a wire nut.



NEW CONSTRUCTION AND FOUR CONDUCTOR BRANCH CIRCUIT CONNECTION (Cont.)

4. Connect the oven red lead to the branch circuit red lead, and the oven black lead to the branch circuit black lead in accordance with local codes, using wire nuts.
5. Install proper strain relief clamp.
6. Install junction box cover.

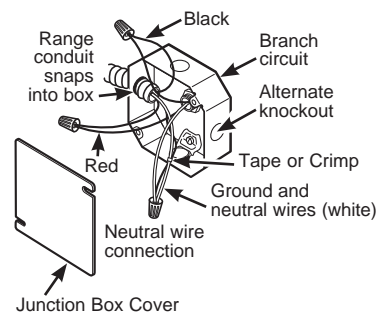
NOTE TO ELECTRICIAN: The three power leads supplied with this appliance are U.L. recognized for connection to larger gauge household wiring. The insulation of these three leads is rated at temperatures much higher than the temperature rating of household wiring. The current carrying capacity of a conductor is governed by the temperature rating of the insulation around the wire rather than the wire gauge alone.

THREE CONDUCTOR BRANCH CIRCUIT CONNECTION

NOTE: If residence leads are aluminum conductors, see WARNING note.

When connecting to a three-conductor branch circuit, if local codes permit:

1. Connect the oven ground conductor along with the neutral (white) lead to the branch circuit neutral (white or gray in color), using a wire nut.
2. Connect the oven red lead to the branch circuit red lead, and the oven black lead to the branch circuit black lead in accordance with local codes, using wire nuts.
3. Install proper strain relief clamp.
4. Install junction box cover.



⚠ WARNING Improper connection of aluminum house wiring to these copper leads can result in an electrical hazard or fire. Use only connectors designed for joining copper to aluminum and follow the manufacturer's recommended procedure closely.

Installation Instructions

INSTALLING OVEN

To remove the oven door:

1. Open the door to the stop position (see Fig. 3A).
2. Grasp the door at each side and lift up and off the hinges (see Fig. 3B).

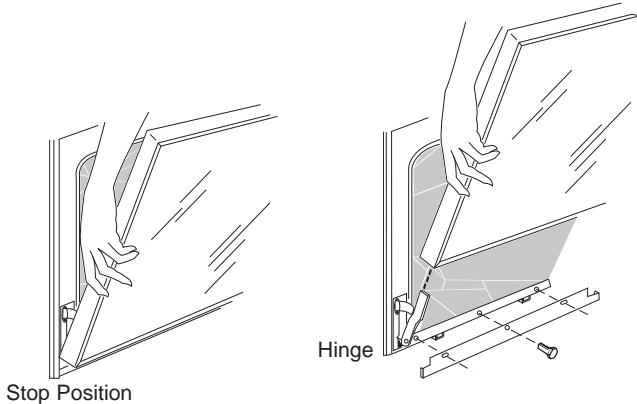


Fig. 3A

Fig. 3B

⚠ CAUTION

When the door is removed and hinge arms are at stop position, do not bump or try to move the hinge arms. The hinges could snap back causing an injury to the hands or damage to the porcelain on the front of the range. Cover the hinges with toweling or empty towel rolls while working in the oven area.

3. Put the oven into the cabinet and use a 1/8" drill bit to drill holes in the cabinet front through the holes in the oven trim.
4. Secure the oven in the cabinet with the screws provided.
5. The lower trim should be mounted to the bottom of the oven frame with the 3 screws provided.

The lower front trim is packed separately and should be added after the oven is installed. The oven door must be removed to install the lower trim.

IMPORTANT: The trim provides cooling air entry into cabinet through the bottom opening. The bottom opening should never be blocked. See Fig. 3B.

REPLACE THE OVEN DOOR

1. Hold the door over the hinges with the slots at the bottom edge of the door lined up with the hinges.
2. Slide the door down onto the hinges as far as it will go and close the door.