



24" Marvel Professional Refrigerated Drawers

Model # MP24RD

Performance

- Dynamic Cooling Technology™ delivers the industry's best temperature stability and rapid cool down, tested and proven to cool nearly 2x faster than competitors
- Interior durably constructed from stainless steel, the most hygienic, easy-to-clean and stain-resistant of materials
- Insulated thermal-efficient cabinet and drawer fronts ensure optimum efficiency and preservation
- Now even quieter operation thanks to exclusive design enhancements to buffer and minimize sound

Storage Capabilities

- 5.0 cu. ft. capacity, stores up to (108) 12-oz cans in two large-capacity smooth-glide drawers
- Adjustable divider included in the top and bottom drawers

Touchpad Controls

- Multifunction Marvel Intuit™ Integrated Controls allow you to select a precise cabinet temperature from 34° F to 42° F
- Vacation mode conserves energy during times when unit is not in use

Aesthetics

- Specially designed for a truly flush, zero clearance fit with adjoining cabinetry
- At the touch of a button, change the interior light color to sapphire blue, amber glow, or arctic white
- Two-stage theater-style lighting offers full or half illumination
- Elegant midnight black cabinet interior with sleek stainless steel drawers
- Professional styling: sleek stainless steel drawers, sturdy full-length handles and stainless steel toe kick adjustable to 4" with leveling legs
- Finish options: stainless steel or overlay (panel ready)

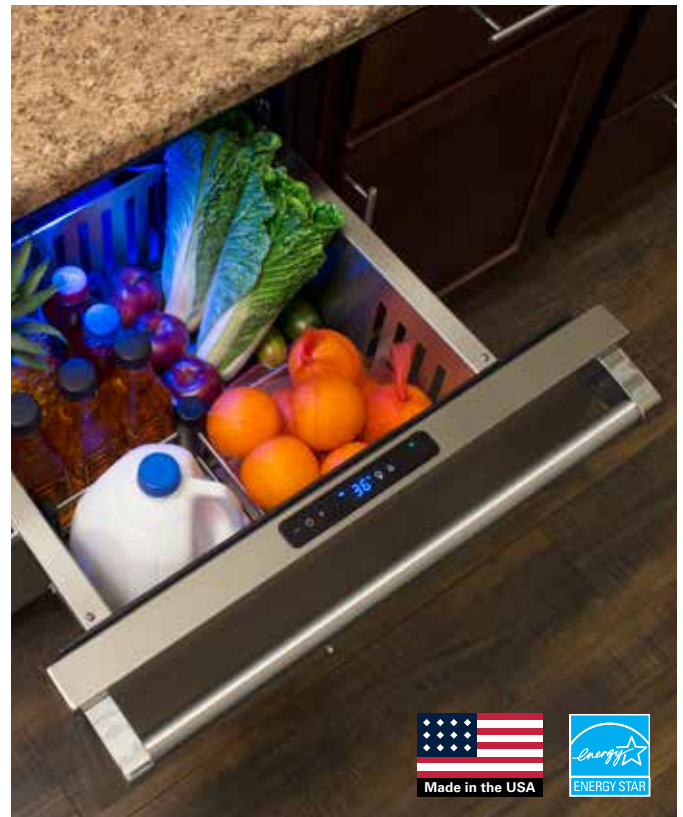
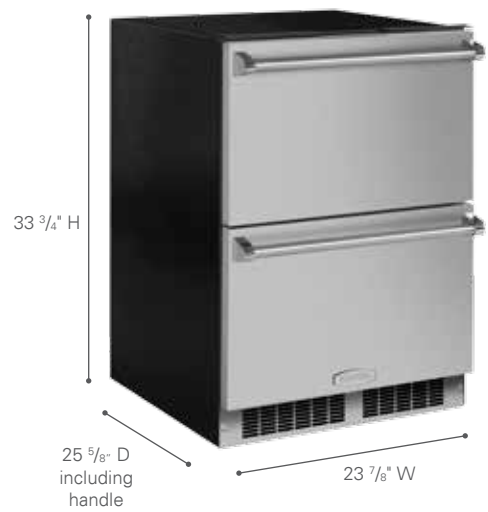
Additional Convenience

- Close Door Assist System™ gently and automatically brings drawers to a close, ensuring they're never ajar
- Lock provides added safety and security for both drawers
- 3-year parts and labor warranty, 5-year sealed system parts warranty

Ordering Options

Solid Stainless Steel Drawer Fronts with Lock, Professional Handle	MP24RDS3NS
Panel-Ready Solid Overlay Drawer Fronts with Lock (Handle Not Included)*	MP24RDP3NP

*Easy installation! No panel kit required. Consult your cabinet maker for overlay panel and handle options.



Finish Options

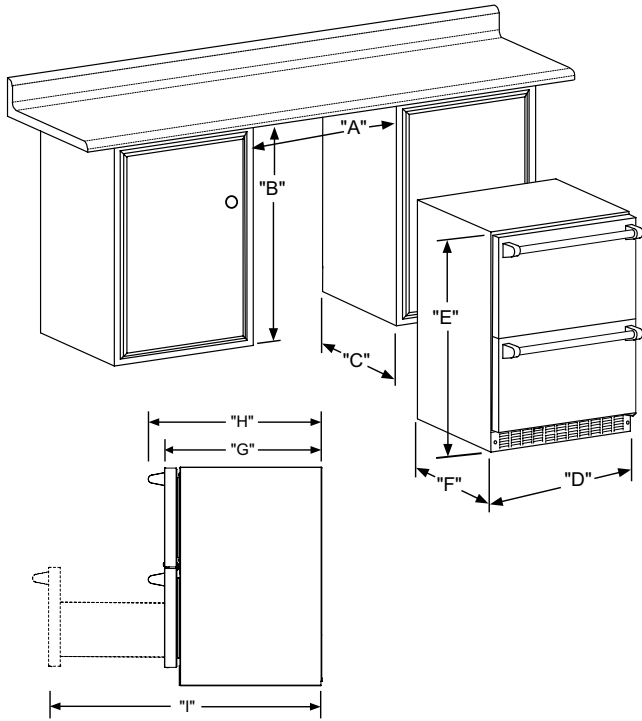


Stainless Steel



Solid Overlay (Panel Ready)*

Product Dimensions



Rough-In Dimensions

A. Rough-In Width	24"
B. Rough-In Height	34 1/4" to 35 1/25"
C. Rough-In Depth	24"

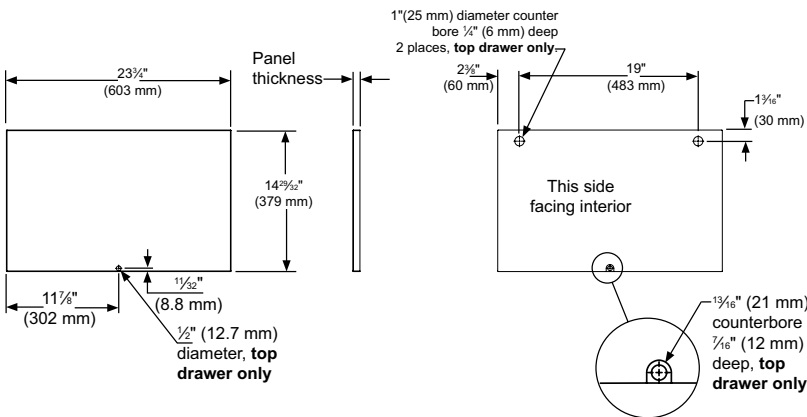
Product Dimensions

D. Width	23 7/8"	
E. Height	34" to 35"	
F. Depth	21 1/2"	
G. Depth to Front of Drawer	Solid Door	23 23/32"
	Overlay Door	22 7/8" Without Handle
H. Depth to Handle	26 7/32" (Stainless Steel)	
I. Depth with drawer open	Solid Door	39 5/32"
	Overlay Door	38 5/16"

Product Features

Interior Cabinet Finish	Black
Capacity	Up to 108 12-oz cans
Shelving System	NA
Shelf Fronts	NA
Other Storage	Double Drawer Storage
Interior Lighting	Tri-Color LED
Toe Grill Finish	Stainless Steel
Hinge	NA
Handle	Professional (Panel Overlay Does Not Include Handle)
Control Type	Intuit™
Temperature Range	34° to 42° F
Lock	Yes
Electrical Requirements	120V / 60Hz / 15A
Length of Power Cord	6'
Shipping Weight	160 lbs
Finishes	Stainless Steel, Overlay
Vacation Mode	Yes
Agency Approvals	CSA, ENERGY STAR

Panel Overlay Dimensions



For comprehensive installation instructions, please visit www.marvelrefrigeration.com to access the owner's guide.