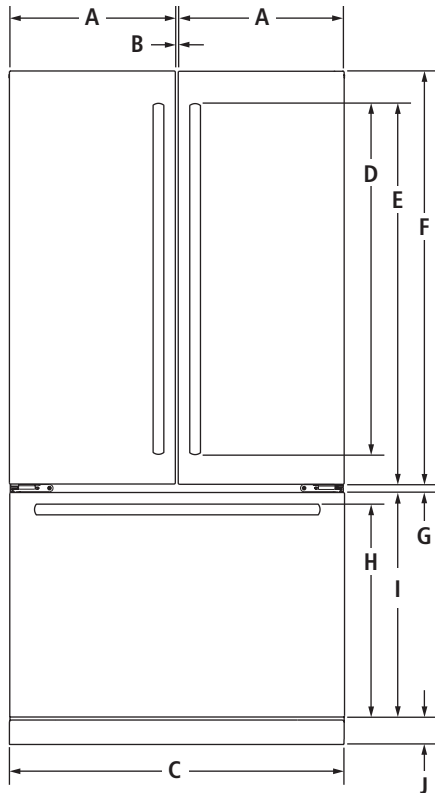


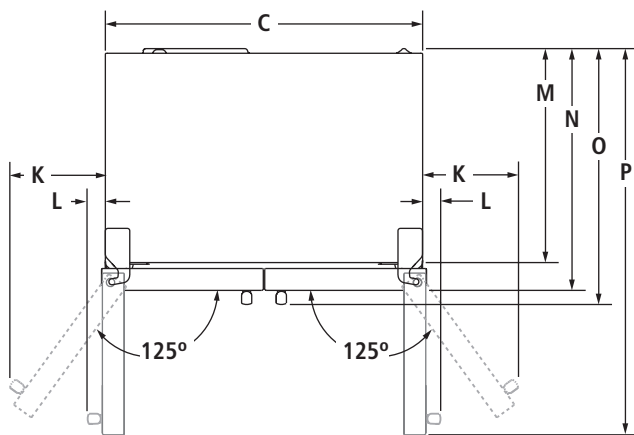
72" COUNTER-DEPTH FRENCH DOOR REFRIGERATOR WITH INTERNAL DISPENSER

JFC2290RE – 35<sup>5</sup>/<sub>8</sub>" x 71<sup>7</sup>/<sub>8</sub>" x 29<sup>5</sup>/<sub>8</sub>" (depth with handles)

PRODUCT DIMENSIONS



FRONT VIEW



TOP VIEW

MODEL #		JFC2290RE	
		in	cm
A	Width of each door	17 <sup>5</sup> / <sub>8</sub>	44.8
B	Space between doors	<sup>3</sup> / <sub>8</sub>	1.0
C	Overall width	35 <sup>5</sup> / <sub>8</sub>	90.5
D	Height of door handles		
	Pro-Style® Stainless	33 <sup>1</sup> / <sub>4</sub>	84.5
	Euro-Style Stainless	37 <sup>5</sup> / <sub>8</sub>	95.6
	Floating Glass	37 <sup>5</sup> / <sub>8</sub>	95.6
E	Height to top of door handles		
	Pro-Style® Stainless	38 <sup>5</sup> / <sub>8</sub>	98.1
	Euro-Style Stainless	40 <sup>7</sup> / <sub>8</sub>	103.8
	Floating Glass	40 <sup>7</sup> / <sub>8</sub>	103.8
F	Height of doors	44 <sup>1</sup> / <sub>8</sub>	112.1
G	Space between doors and drawer		
	Pro-Style® Stainless	1	2.5
	Euro-Style Stainless	1	2.5
	Floating Glass	<sup>3</sup> / <sub>4</sub>	1.9
H	Height to top of drawer handle		
	Pro-Style® Stainless	22 <sup>7</sup> / <sub>8</sub>	58.1
	Euro-Style Stainless	22 <sup>5</sup> / <sub>8</sub>	57.5
	Floating Glass	22 <sup>5</sup> / <sub>8</sub>	57.5
I	Height of drawer		
	Pro-Style® Stainless	23 <sup>7</sup> / <sub>8</sub>	60.6
	Euro-Style Stainless	23 <sup>7</sup> / <sub>8</sub>	60.6
	Floating Glass	24	61.0
J	Height of grille	2 <sup>7</sup> / <sub>8</sub>	7.3
K	Width from side of refrigerator to handle – door fully open 125°		
	Pro-Style® Stainless	10 <sup>7</sup> / <sub>8</sub>	27.6
	Euro-Style Stainless	10 <sup>3</sup> / <sub>8</sub>	26.4
	Floating Glass	10 <sup>3</sup> / <sub>4</sub>	27.3
L	Width from side of refrigerator to handle – door open 90°		
	Pro-Style® Stainless	2 <sup>5</sup> / <sub>8</sub>	6.7
	Euro-Style Stainless	2	5.1
	Floating Glass	2 <sup>1</sup> / <sub>4</sub>	5.7
M	Depth without doors	24 <sup>1</sup> / <sub>2</sub>	62.2
N	Depth with doors		
	Pro-Style® Stainless	27 <sup>5</sup> / <sub>8</sub>	70.2
	Euro-Style Stainless	27 <sup>5</sup> / <sub>8</sub>	70.2
	Floating Glass	27 <sup>7</sup> / <sub>8</sub>	70.8
O	Depth with handles		
	Pro-Style® Stainless	30 <sup>1</sup> / <sub>4</sub>	76.8
	Euro-Style Stainless	29 <sup>5</sup> / <sub>8</sub>	75.2
	Floating Glass	29 <sup>5</sup> / <sub>8</sub>	75.9
P	Depth with doors open 90°	44	111.8

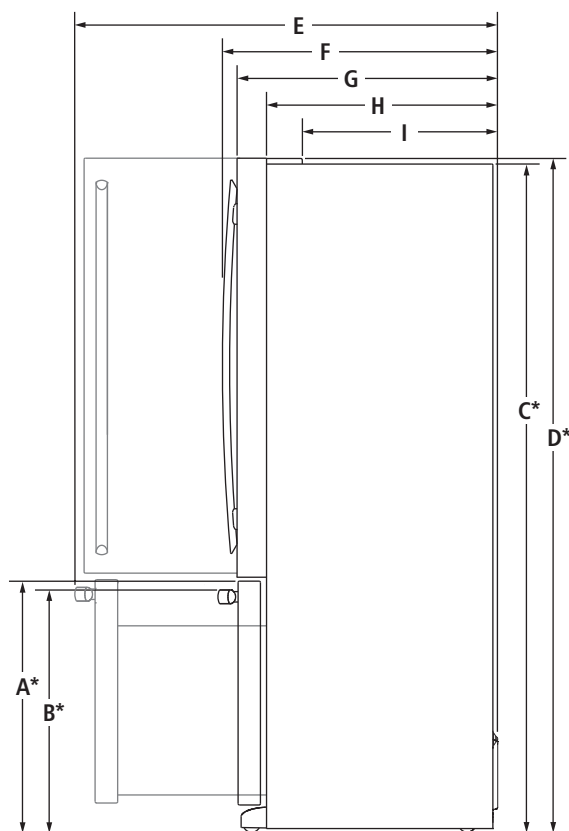
**IMPORTANT:** Dimensional specifications are provided for planning purposes only. Do not make any cutouts based on this information. Refer to the Installation Guide before selecting cabinetry, verifying electrical/gas connections, making cutouts or beginning installation. All Jenn-Air® appliances are appropriately UL, CUL or CSA approved.



72" COUNTER-DEPTH FRENCH DOOR REFRIGERATOR WITH INTERNAL DISPENSER

JFC2290RE – 35<sup>5</sup>/<sub>8</sub>" x 71<sup>7</sup>/<sub>8</sub>" x 29<sup>5</sup>/<sub>8</sub>" (depth with handles)

DIMENSIONS AS INSTALLED



SIDE VIEW

MODEL #		JFC2290RE	
		in	cm
A*	Height to top of drawer (min.) Pro-Style® Stainless	26 <sup>3</sup> / <sub>4</sub>	67.9
	Euro-Style Stainless	26 <sup>3</sup> / <sub>4</sub>	67.9
	Floating Glass	26 <sup>7</sup> / <sub>8</sub>	68.3
B*	Height to top of drawer handle (min.) Pro-Style® Stainless	25 <sup>3</sup> / <sub>4</sub>	65.4
	Euro-Style Stainless	25 <sup>1</sup> / <sub>2</sub>	64.8
	Floating Glass	25 <sup>1</sup> / <sub>2</sub>	64.8
C*	Height of recessed refrigerator (min.)	71 <sup>1</sup> / <sub>4</sub>	181.0
D*	Height to top of hinges (min.)	71 <sup>7</sup> / <sub>8</sub>	182.6
E	Depth with drawer fully open including drawer handle (min.) Pro-Style® Stainless	45 <sup>3</sup> / <sub>8</sub>	115.3
	Euro-Style Stainless	44 <sup>3</sup> / <sub>4</sub>	113.7
	Floating Glass	45	114.3
F	Depth with handles (min.) Pro-Style® Stainless	30 <sup>1</sup> / <sub>4</sub>	76.8
	Euro-Style Stainless	29 <sup>5</sup> / <sub>8</sub>	75.2
	Floating Glass	29 <sup>7</sup> / <sub>8</sub>	75.9
G	Depth with doors (min.) Pro-Style® Stainless	27 <sup>5</sup> / <sub>8</sub>	70.2
	Euro-Style Stainless	27 <sup>5</sup> / <sub>8</sub>	70.2
	Floating Glass	27 <sup>7</sup> / <sub>8</sub>	70.8
H	Depth without doors (min.)	24 <sup>1</sup> / <sub>2</sub>	62.2
I	Depth to back of hinges (min.)	20 <sup>5</sup> / <sub>8</sub>	52.4

\*Add <sup>3</sup>/<sub>4</sub>" (1.9 cm) to the height dimension when leveling legs are fully extended.

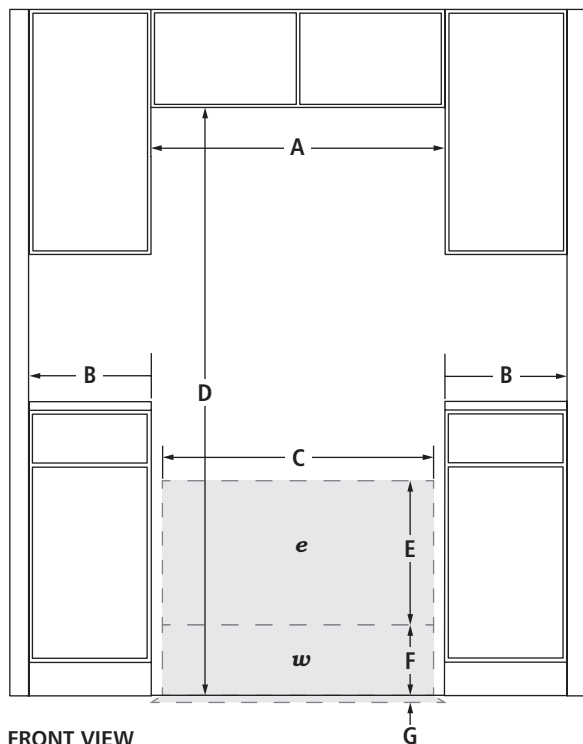
**IMPORTANT:** Dimensional specifications are provided for planning purposes only. Do not make any cutouts based on this information. Refer to the Installation Guide before selecting cabinetry, verifying electrical/gas connections, making cutouts or beginning installation. All Jenn-Air® appliances are appropriately UL, CUL or CSA approved.



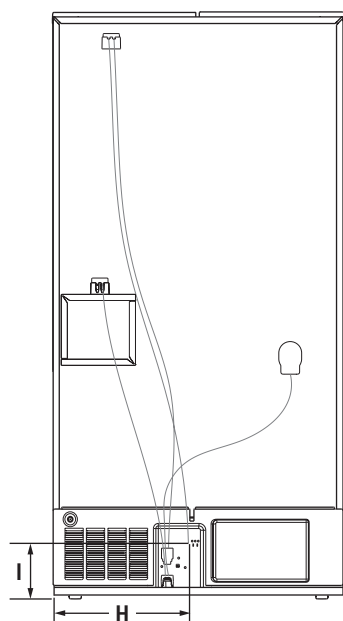
72" COUNTER-DEPTH FRENCH DOOR REFRIGERATOR WITH INTERNAL DISPENSER

JFC2290RE – 35<sup>5</sup>/<sub>8</sub>" x 71<sup>7</sup>/<sub>8</sub>" x 29<sup>5</sup>/<sub>8</sub>" (depth with handles)

OPENING/CLEARANCE DIMENSIONS



FRONT VIEW



BACK VIEW

MODEL #		JFC2290RE	
		in	cm
A	Width (min.)	36 <sup>5</sup> / <sub>8</sub>	93.0
	Minimum width from side of refrigerator to fixed wall – door open 90° (full access to remove bins)		
B	Pro-Style® Stainless	2 <sup>5</sup> / <sub>8</sub>	6.7
	Euro-Style Stainless	2	5.1
	Floating Glass	2 <sup>1</sup> / <sub>4</sub>	5.7
	Minimum width from side of refrigerator to fixed wall – door fully open 125°		
C	Pro-Style® Stainless	10 <sup>7</sup> / <sub>8</sub>	27.6
	Euro-Style Stainless	10 <sup>3</sup> / <sub>8</sub>	26.4
	Floating Glass	10 <sup>3</sup> / <sub>4</sub>	27.3
C	Width of recommended electrical/ water installation area	34	86.4
D	Height (min.)	71 <sup>7</sup> / <sub>8</sub>	182.6
E	Height of recommended electrical installation area (min.-max.)	10-	25.4-
		24	61.0
F	Height of recommended water installation area	10	25.4
G	Depth of recommended water installation area	1	2.5
H	Water line location – distance from side	24 <sup>5</sup> / <sub>8</sub>	62.5
I	Water line location – distance from bottom	9 <sup>3</sup> / <sub>8</sub>	23.8
e	Recommended electrical connection location		
w	Recommended water connection location		

**ELECTRICAL REQUIREMENTS**

115 volt, 60 Hz, AC only, 15- or 20-amp fused, grounded circuit is required. A dedicated circuit is recommended. Use an outlet that cannot be turned off by a switch.

Minimum length of power cord is 60" (152.0 cm). Do not use an extension cord.

**WATER PRESSURE REQUIREMENTS**

A cold water supply with water pressure between 30 and 120 psi (207 and 827 kPa) is required to operate the water dispenser and ice maker. Call a licensed, qualified plumber with any questions about the water pressure.

**Reverse Osmosis Water Supply**

**IMPORTANT:** The pressure of the water coming out of a reverse osmosis system going to the water inlet valve of the refrigerator needs to be between 30 and 120 psi (207 and 827 kPa).

If a reverse osmosis water filtration system is connected to the cold water supply, the water pressure to the reverse osmosis system needs to be a minimum of 40 to 60 psi (276 to 414 kPa).

**IMPORTANT:** Dimensional specifications are provided for planning purposes only. Do not make any cutouts based on this information. Refer to the Installation Guide before selecting cabinetry, verifying electrical/gas connections, making cutouts or beginning installation. All Jenn-Air® appliances are appropriately UL, CUL or CSA approved.

