

PGS960BEL/EEL/SEL

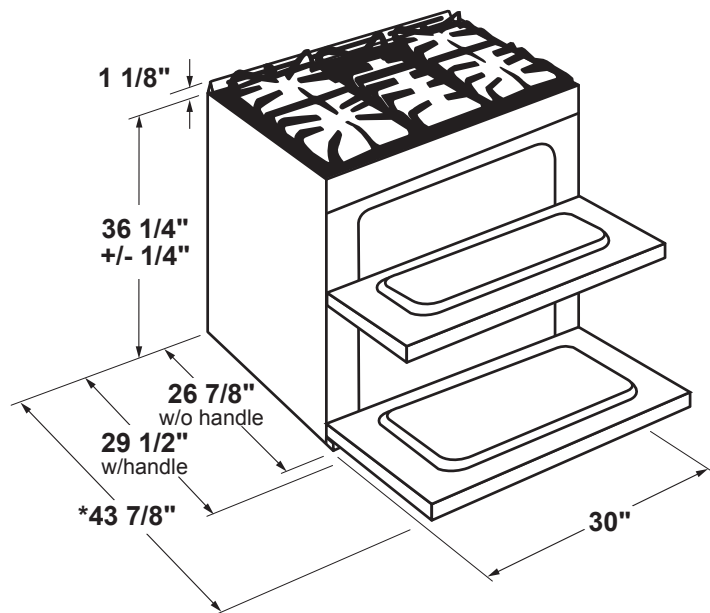
GE Profile™ Series 30" Slide-In Front Control Gas Double Oven Convection Range

NOTE: Door handle protrudes 3" from door face. Cabinets and drawers on adjacent 45° and 90° walls should be placed to avoid interference with the handle.

NOTE: Cabinets installed adjacent to slide-in ranges must have an adhesion spec of at least 194° temperature rating.

INSTALLATION INFORMATION: Before installing, consult installation instructions packed with product for current dimensional data.

For all installations, install the required rear trim to back of range with 4 screws provided.

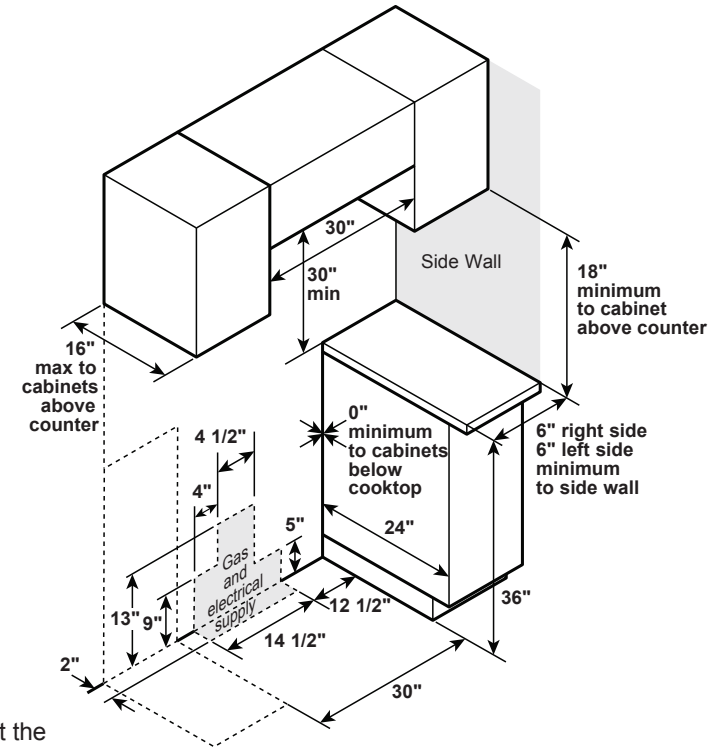


*Dimensions are referenced from the point at the back of the range that will contact the rear wall first.

*Dimension are referenced from the point at the back of the range that will contact the rear wall first. Max dimension should be considered between the upper and lower doors.

**Height to backguard based on Café style backguard kit installed.

GAS PIPE AND ELECTRICAL OUTLET LOCATIONS



For answers to your Monogram, GE Café™ Series, GE Profile™ Series or GE Appliances product questions, visit our website at geappliances.com or call GE Answer Center® Service, 800.626.2000.



All GE ranges are equipped with an Anti-Tip device. The installation of this device is an important, required step in the installation of the range.

PGS960BEL/EEL/SEL

GE Profile™ Series 30" Slide-In Front Control Gas Double Oven Convection Range

FEATURES AND BENEFITS

Edge-to-edge cooktop - A large, continuous cooking surface gives you extra room for pots and pans of all sizes and lets cookware move easily from burner to burner

21,000 BTU Multi-ring burner - Versatile burner creates intense heat perfect for searing, frying and sautéing

Extra-large integrated reversible cast iron grill/griddle - Enjoy ultimate cooking versatility. Cook up to six grilled cheeses on the industry's largest integrated griddle, and then flip it over to grill your favorite foods.

Dual purpose center burner - Cook your way with a round burner for steaming broccoli and an oval burner for griddling sandwiches

Wifi Connect - Wirelessly control oven functions from your smartphone

Chef Connect - Three options with a single touch. For instant convenience, choose when to automatically sync clocks and the range elements with the microwave's surface light and vent

True European Convection - Achieve delicious results from a third heating element and fan combination

6.7 cu. ft. total double oven capacity - An upper everyday oven preheats quickly while the larger lower oven is perfect for dinner parties and large meals

Self-clean, heavy-duty oven racks - Long-lasting racks look great and can be cleaned at the same time as the oven

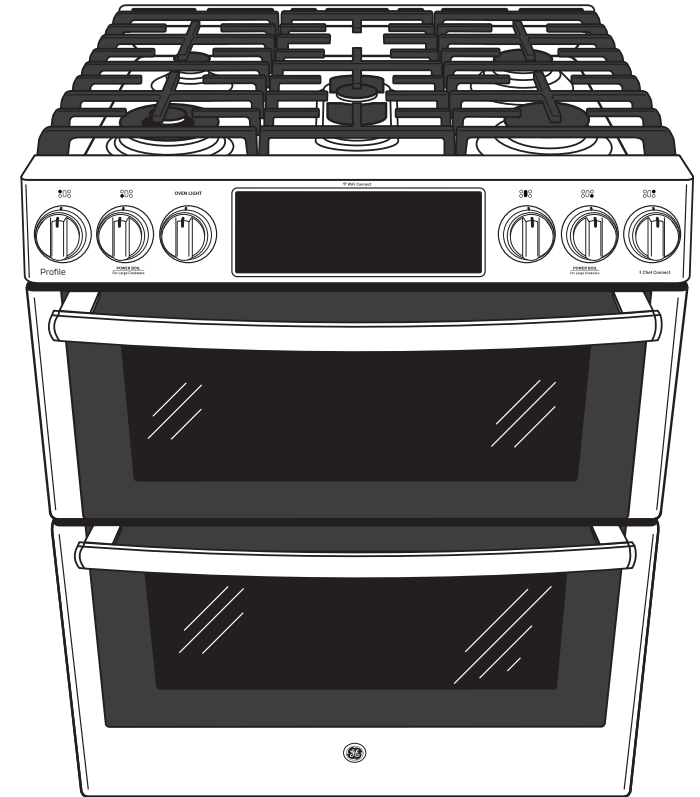
Temperature Probe - Internal probe allows monitoring of roasts and meats to assure they are thoroughly and accurately cooked without opening the oven door

Self-clean with Steam Clean option - Clean your oven the way you want

Model PGS960BELTS - Black stainless

Model PGS960EELES - Slate

Model PGS960SELSS - Stainless steel



GUARANTEED FIT

Replace your old 30" free-standing range with a new 30" slide-in model. GE slide-in ranges are guaranteed for an exact fit to make replacement easy

Visit geappliances.com for more info

