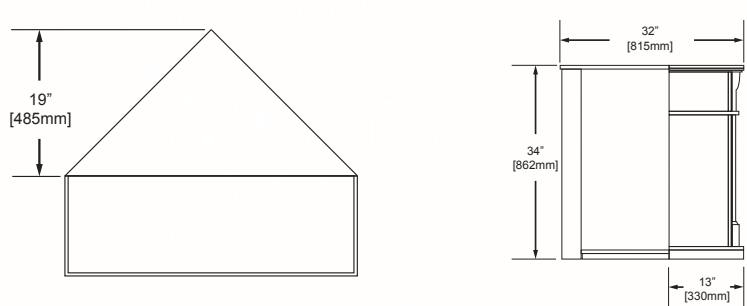
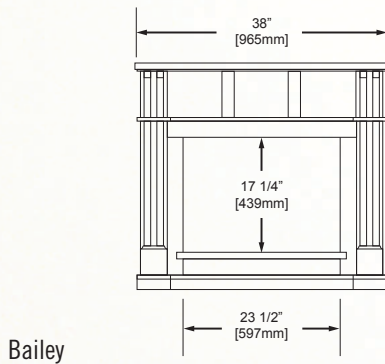
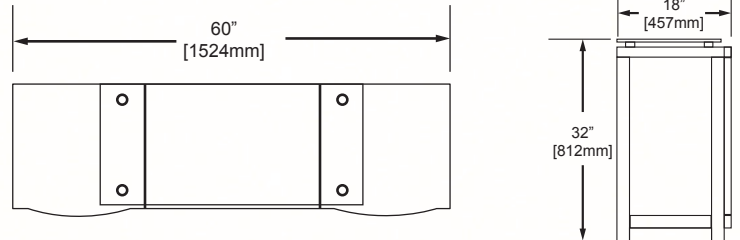
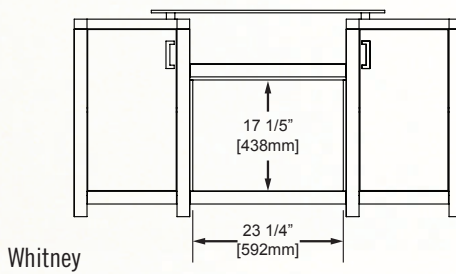
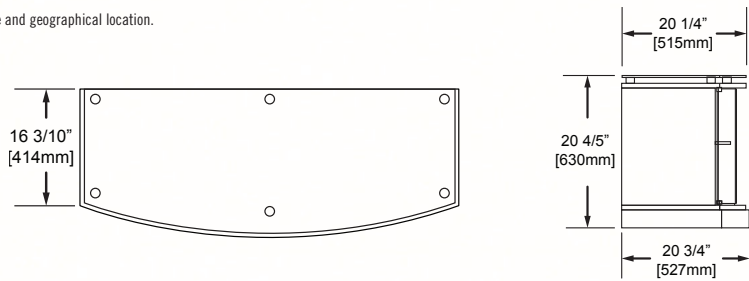
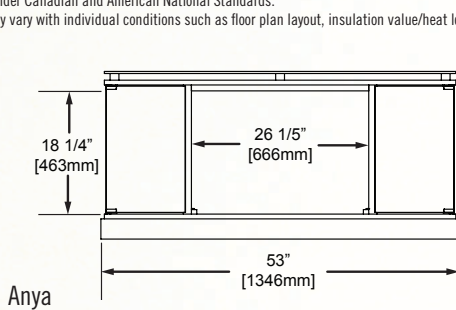


# Specifications

Mantel Name	Product Code	Firebox	Style	Height	Front Width	Depth
Anya	NEFP27-3116B	Cinema™ Glass 27	Mantel	20 4/5"	53"	20 3/4"
Whitney	NEFP24-0516GRW	Cinema™ Glass 24	Mantel	32"	60"	18"
Bailey	NEFCP24-0116E	Cinema™ 24 Log Set	Mantel	34"	38"	13" (32" with corner)

Firebox Name	Product Code	BTU's (Input)	Watts	Voltage	Amps
Cinema™ 24 (Log Set)	NEFB24H-3A	5,000	1,500	120V AC	15
Cinema™ Glass 24	NEFB24HG-3A	5,000	1,500	120V AC	15
Cinema™ Glass 27	NEFB27HG-3A	5,000	1,500	120V AC	15

Certified under Canadian and American National Standards.  
 Figures may vary with individual conditions such as floor plan layout, insulation value/heat loss of the house and geographical location.



Authorized Dealer



24 Napoleon Road, Barrie, Ontario, Canada L4M 0G8  
 103 Miller Drive, Crittenden, Kentucky, USA 41030  
 7200 Trans Canada Highway, Montreal, Quebec, Canada H4T 1A3

Tel: 705-721-1212 Fax: 705-722-6031  
 napoleonfireplaces.com



Consult your owner's manual for complete installation instructions, accurate framing dimensions and proper clearances to combustible material. Check all local and national building codes. All specifications are subject to change without prior notice due to on-going product improvements. Products may not be exactly as shown. Napoleon is a registered trademark of Wolf Steel Ltd. © Wolf Steel Inc.