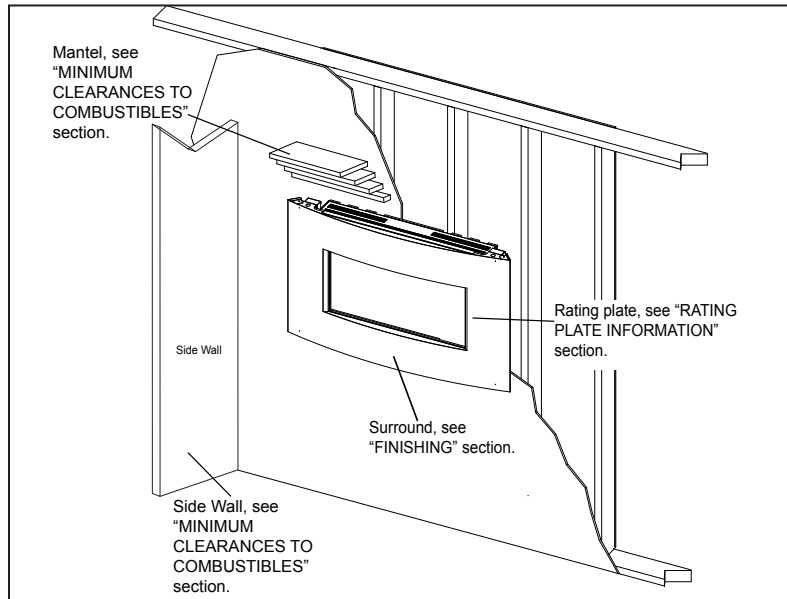


PLAZMAFIRE™ VF31 VENT FREE GAS FIREPLACE

Specifications

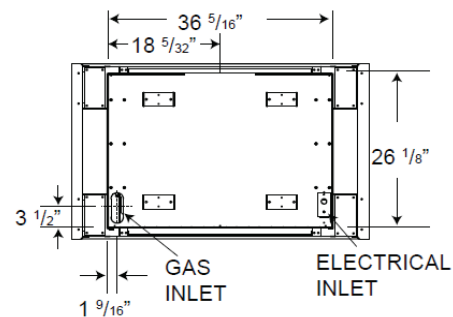
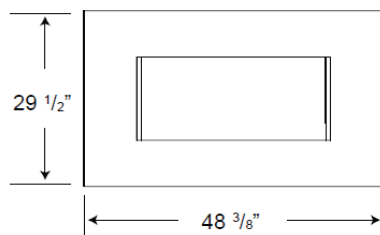
Model (Surround)	BTU	Width	Height	Depth	Glass
WHVF31 (Convex)	20,000	48 3/8	29 1/2	9 1/8	17.4 x 31.6
WHVF31 (Rectangular)	20,000	43 5/16	28	7 3/8	17.1 x 31.6

Overview

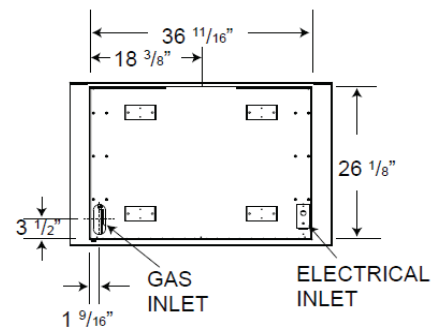
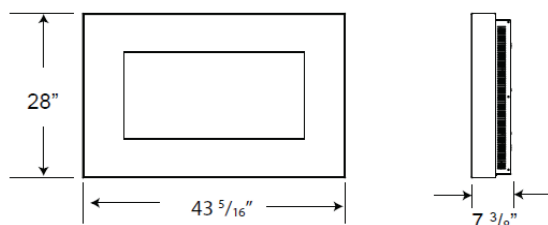


Dimensions

CONVEX SURROUND (S31CV)



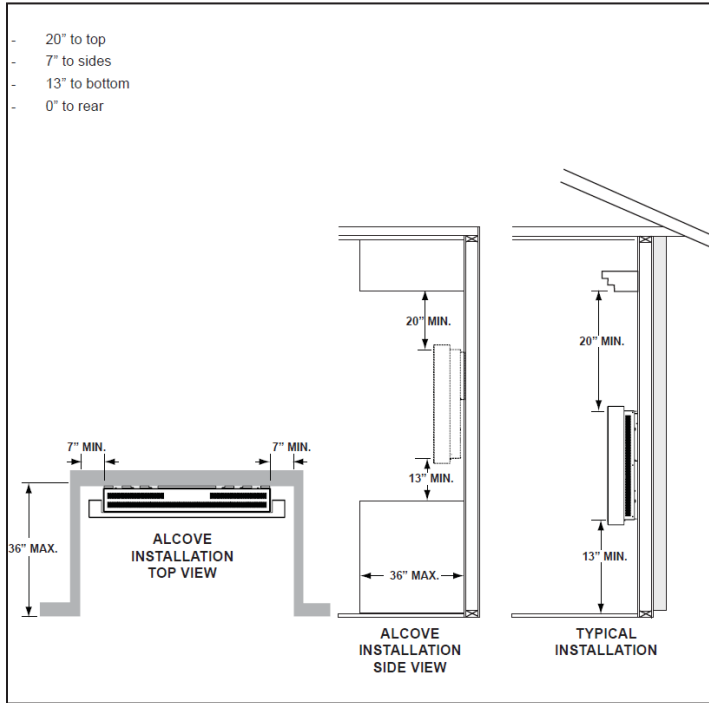
RECTANGULAR SURROUND (S31R)



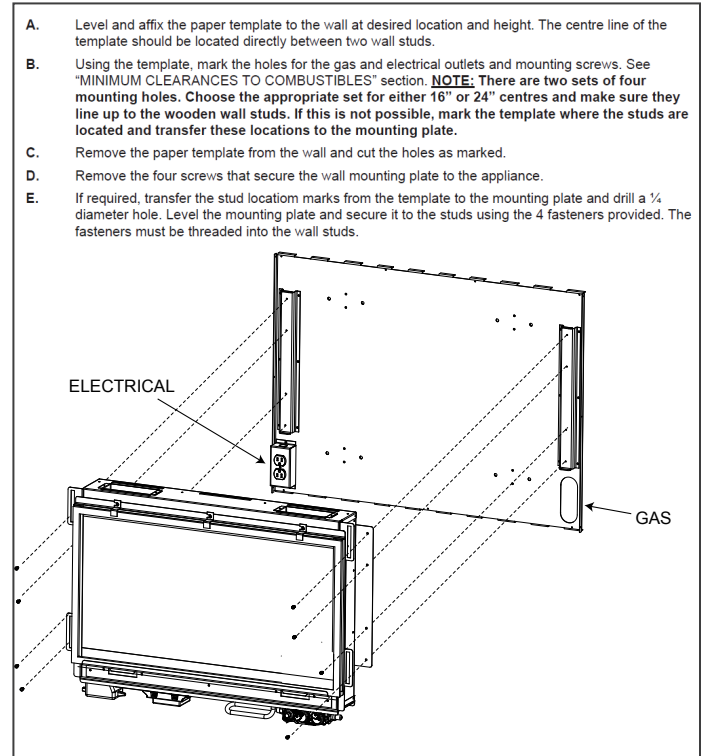
PLAZMAFIRE™ VF31 VENT FREE GAS FIREPLACE

Framing & Clearances

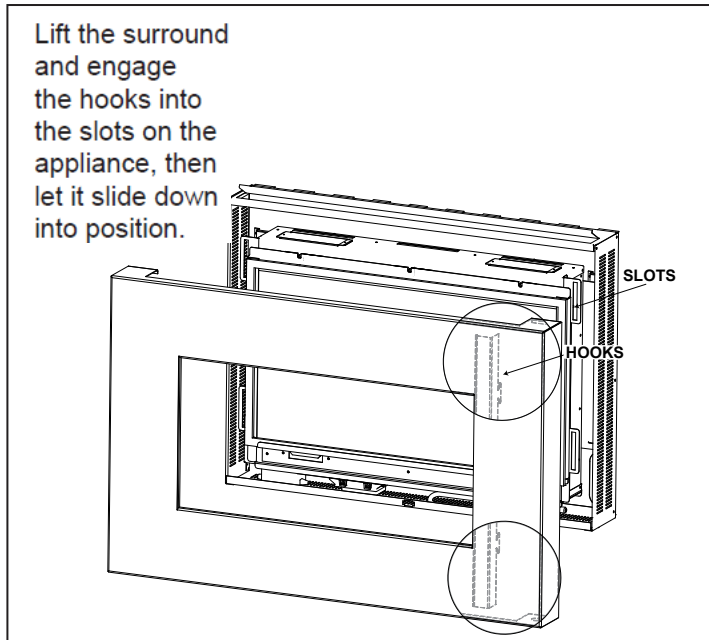
Minimum Clearance to Combustibles



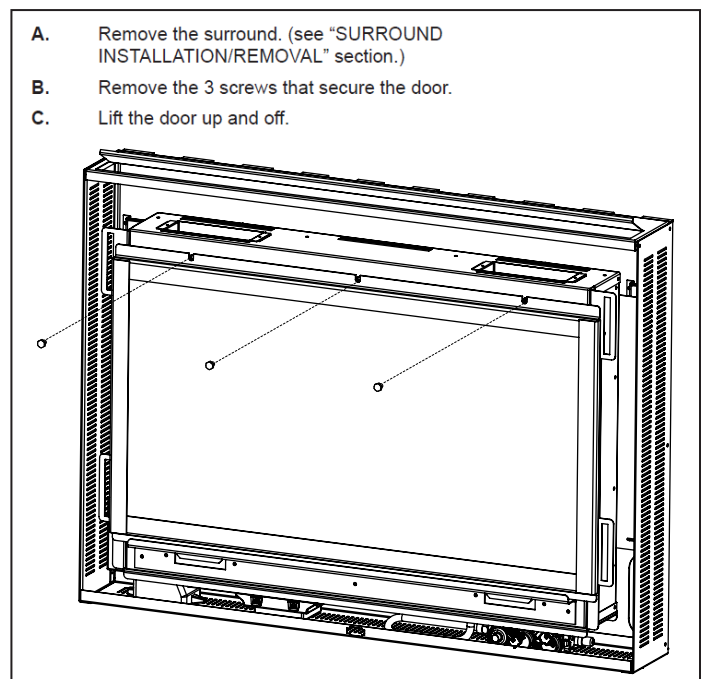
Mounting the Appliance



Surround Installation/Removal



Door Removal/Installation



Product information provided is not complete and is subject to change without notice. Please consult the installation manual for the most up to date installation information.