

# FRIGIDAIRE® Installation Instructions\* for French Door Bottom Freezer/Refrigerator

\*Please refer to your Use & Care Guide for more details.

## WARNING

To avoid electric shock, which can cause death or severe personal injury, do not connect your refrigerator to an electrical power source until you have completed Step 2 of these instructions.

## NOTE

If you need to remove the doors to get your refrigerator into the house, please refer to "Removing Doors" in the Use & Care Guide. These installation instructions are provided only as a possible customer option. Frigidaire recommends that you use a service or kitchen contracting professional to install your refrigerator.

## IMPORTANT

If you are installing your refrigerator without connecting it to a water supply, make sure the ice maker's power switch is turned Off (see the Use & Care Guide for more details).

## CAUTION

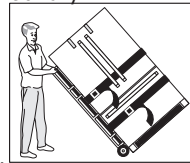
- Shifting the refrigerator from side to side may damage flooring.
- Do not block the toe grille on the lower front of your refrigerator. Sufficient air circulation is essential for proper operation.

## 1 Preparing For Installation

Be sure to coordinate site preparation and installation with your kitchen contractor.

Include these minimum guidelines in your site preparation:

- Choose a place near a grounded electrical outlet.
- Do not use an extension cord or an adapter plug.
- Avoid direct sunlight and close proximity to a range, dishwasher or other heat source.
- Floor should be level and able to support a fully loaded refrigerator.
- The refrigerator's Ice Dispenser requires water supply access.
- Plan for easy access to counter tops when removing food.
- For complete access to drawers and freezer baskets, doors must be able to fully open.
- Load refrigerator from side of cabinet only.
- Do not run retaining straps over handles nor overtighten straps.
- Never use refrigerator handles to move the refrigerator.



## NOTE

Please call 1-800-944-9044 if you need assistance with this installation.

## CAUTION

Room temperatures below 55°F (13°C) or above 110°F (43°C) will impair cooling ability of your refrigerator's compressor.

Allow the following clearances for ease of installation, proper air circulation, and plumbing and electrical connections: Sides & Top: 3/8 inch / Rear: 1 inch

## 2 Connect Water Supply

Before Installing The Water Supply Line, You Will Need:

- Basic Tools: adjustable wrench, flat-blade screwdriver, and Phillips™ screwdriver
- Access to a household cold water line with water pressure between 30 and 100 psi.
- A water supply line made of 1/4 inch (6 mm) OD, copper or stainless steel tubing. To determine the length of tubing needed, measure the distance from the ice maker inlet valve at the back of the refrigerator to your cold water pipe. Then add approximately 7 feet, so the refrigerator can be moved out for cleaning.
- A shutoff valve to connect the water supply line to your household water system. DO NOT use a self-piercing type shutoff valve.
- A compression nut and ferrule (sleeve) for connecting a copper water supply line to the ice maker inlet valve.

## WARNING

To avoid electric shock, which can cause death or severe personal injury, disconnect the refrigerator from electrical power before connecting a water supply line to the refrigerator.

## CAUTION

To Avoid Property Damage:

- Copper or Stainless Steel braided tubing is recommended for the water supply line. Water supply tubing made of 1/4 inch (6 mm) plastic is not recommended to be used. Plastic tubing greatly increases the potential for water leaks, and the manufacturer will not be responsible for any damage if plastic tubing is used for the supply line.
- Do not reuse compression fitting or use thread seal tape.
- DO NOT install water supply tubing in areas where temperatures fall below freezing.
- Chemicals from a malfunctioning softener can damage the ice maker. If the ice maker is connected to soft water, ensure that the softener is maintained and working properly.

## To Connect Water Supply Line To Ice Maker Inlet Valve

- Disconnect refrigerator from electric power source.
- Place end of water supply line into sink or bucket. Turn ON water supply and flush supply line until water is clear. Turn OFF water supply at shutoff valve.
- Remove plastic cap from water valve inlet and discard cap.
- If you use copper tubing - Slide brass nut, then ferrule (sleeve) onto water supply line. Push water supply line into water valve inlet as far as it will go (1/4 inch). Slide ferrule (sleeve) into valve inlet and finger tighten nut onto valve. Tighten another half turn with a wrench; DO NOT overtighten. See Figure 1. If you use braided, flexible stainless steel tubing - The nut is already assembled on the tubing. Slide nut onto valve inlet and finger tighten nut onto valve. Tighten another half turn with a wrench; DO NOT overtighten. See Figure 2.
- With steel clamp and screw, secure water supply line (copper tubing only) to rear panel of refrigerator as shown.
- Coil excess water supply line (copper tubing only), about 2 1/2 turns, behind refrigerator as shown and arrange coils so they do not vibrate or wear against any other surface.
- Turn ON water supply at shutoff valve and tighten any connections that leak.
- Reconnect refrigerator to electrical power source.
- To turn ice maker on, lower wire signal arm (freezer ice maker) or set the ice maker's On/Off power switch to the "ON" position (fresh food ice maker).

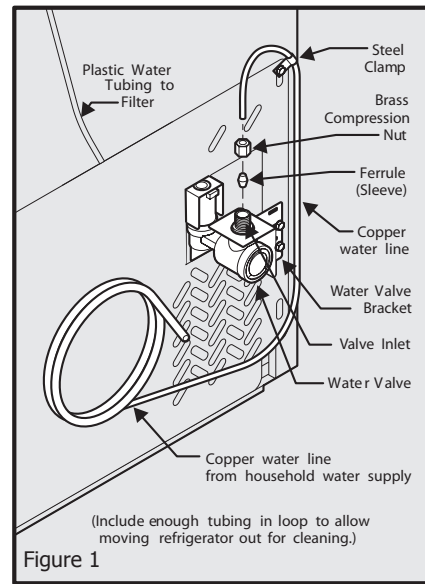


Figure 1

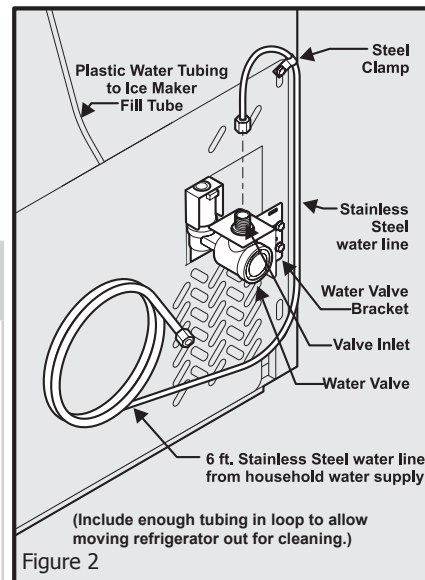


Figure 2

## NOTE

Check with your local building authority for recommendations on water lines and associated materials prior to installing your new refrigerator. Depending on your local/state building codes, Frigidaire recommends for homes with existing valves its Smart Choice 6 ft. Stainless Steel Refrigerator Water Line Kit 5304490728 and for homes without an existing valve, Frigidaire recommends its Smart Choice 20 ft. Copper Refrigerator Water Line Installation Kit 5304490717 (with a with self-tapping saddle valve). Please refer to www.frigidaire.com for more information.

## 3 Level Refrigerator

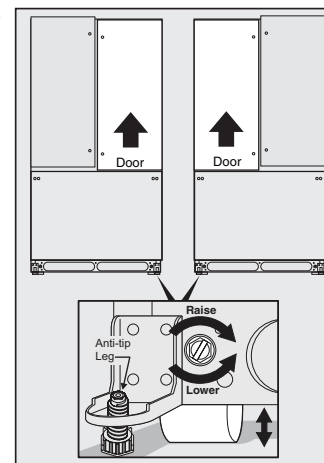
Guidelines for final positioning of your refrigerator

- All four corners of the cabinet must rest firmly on the floor.
- The sides should tilt 1/4 inch (6 mm) from front to back (to ensure that doors close and seal properly).
- Doors should align with each other and be level.

Most of these conditions can be met by raising or lowering the adjustable front rollers.

To level the cabinet using the front rollers:

- You can raise or lower each door. Use a 3/8 inch socket wrench to turn the adjustment screws (1 per side).  
**To raise:** turn adjustment screw clockwise.  
**To lower:** turn adjustment screw counterclockwise.
- Ensure both doors are bind-free with their seals touching the cabinet on all four sides and that cabinet is stable.
- After unit is leveled, lower anti-tip leg until it contacts the floor.

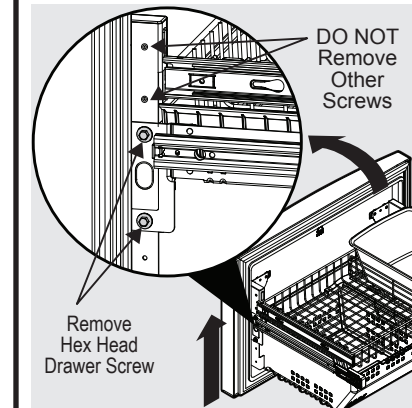


DO NOT REMOVE this label until the refrigerator has been leveled. Please follow all instructions for leveling your refrigerator.

## 4 Removing & Replacing Freezer Drawer

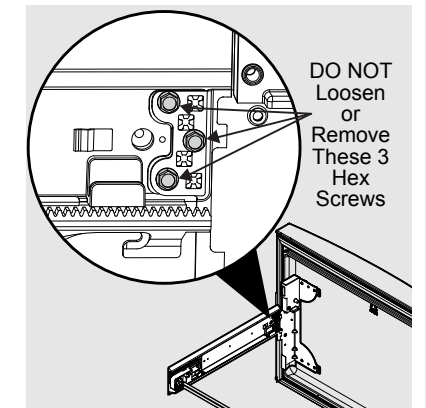
Removing Freezer Drawer

- Remove 4 hex head drawer screws.
- Lift up drawer to remove.



Replacing Freezer Drawer

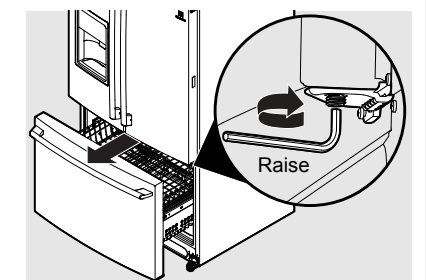
- Lower drawer back into place.
- Replace 4 hex head drawer screws and tighten.



## 5 Adjusting Doors (if necessary)

To make final door height adjustments:

- Open freezer drawer to make lower hinge visible.
- Insert 6 mm Allen wrench into the shaft of the lower hinge.
- Adjust the height by turning clockwise or counterclockwise. Turning clockwise will lower the door. Turning counterclockwise will raise the door. Default setting is to the lowest height when you receive your appliance.



## 6 Remove Internal Shipping Materials

Frigidaire uses packing foam and tape to secure the internal parts of your refrigerator for shipping. Once the refrigerator is in position, you can remove this material.

## What's Next?

Congratulations! You are ready to begin enjoying your new Frigidaire refrigerator.

- For important safety instructions and to learn how to operate your refrigerator, please read the entire Use & Care Guide.
- You may want to start with the "Normal Operating Sights & Sounds" section of the Guide to learn what to expect during typical operation.
- Please register your product. You can register online at www.frigidaire.com or you can simply send in the Registration Card.

## 7 Installation Check List

### Doors

- Handles are secure and tight
- Door seals completely to cabinet on all sides
- Fresh food doors are level

### Leveling

- Refrigerator is level, side to side and tilted 1/4 inch (6 mm) front to back
- Toe grille is properly attached to refrigerator
- Cabinet is sitting solid on all corners

### Electrical Power

- House power turned on
- Refrigerator plugged in

### Ice Maker

- House water supply connected to refrigerator
- No water leaks present at all connections
- Ice Maker is turned ON.

### Final Checks

- Shipping material removed
- Fresh Food and Freezer temperatures set

If you are not satisfied with the installation of your refrigerator, please contact the store where you purchased it or call 1-800-944-9044 for assistance.