

Miele

PureLine Graphite Grey
30" Warming Drawer

ESW 6880 GRGR



PureLine 30" Warming Drawer ESW 6880 GRGR



ESW 6880 GRGR

Features:

- Touch controls
- Fan-assisted heating system
- Time control, 4-hour timer
- Temperature settings from 105°F to 185°F
- Keeps food or plates and cups warm
- Non-slip liner
- Cool touch front
- Soft Open
- Auto Close
- Warm dishware for up to 12 people
- Sabbath Program
- Movable half rack insert allows food and dishware to be stored and warmed on two levels
- The simple yet sleek Silhouette handle seems to float enhancing its modern design lines



SPECIFICATIONS

ESW 6880 GRGR - Item 30688072USA

Overall Unit Width - Excluding Fascia Dimension	25 ¹⁵ / ₁₆ " (659 mm)
Overall Height - Excluding Fascia Dimension	10 ⁹ / ₁₆ " (268 mm)
Overall Depth - Excluding Fascia Dimension	23 ⁷ / ₈ " (606 mm)
Overall Fascia Dimensions	29 ¹³ / ₁₆ " (757 mm) W x 10 ¹³ / ₁₆ " (275 mm) H x 1" (26 mm) D

Built-In

Minimum Cabinet Width	26 ⁵ / ₁₆ " (668 mm)
Maximum Cabinet Width	28 ¹ / ₂ " (724 mm)
Minimum Cabinet Depth	24" (610 mm)
Minimum Cabinet Height	10 ⁵ / ₈ " (270 mm)
Minimum Base Support	120 lbs
Minimum Shelf Spacing Between Stacked Product	³ / ₄ " (19 mm)

Electrical

Electrical Requirements	120V, 15A, 60Hz
Power Cord	Molded NEMA 5-15 plug, 5 ft (1.5 m)
Electrical Rating	1kW (120V)
Total Amps	6A on 120V

Shipping

Shipping Weight	70 lbs
Shipping Dimensions	32 ⁷ / ₈ " W x 14 ³ / ₈ " H x 29 ⁷ / ₈ " L

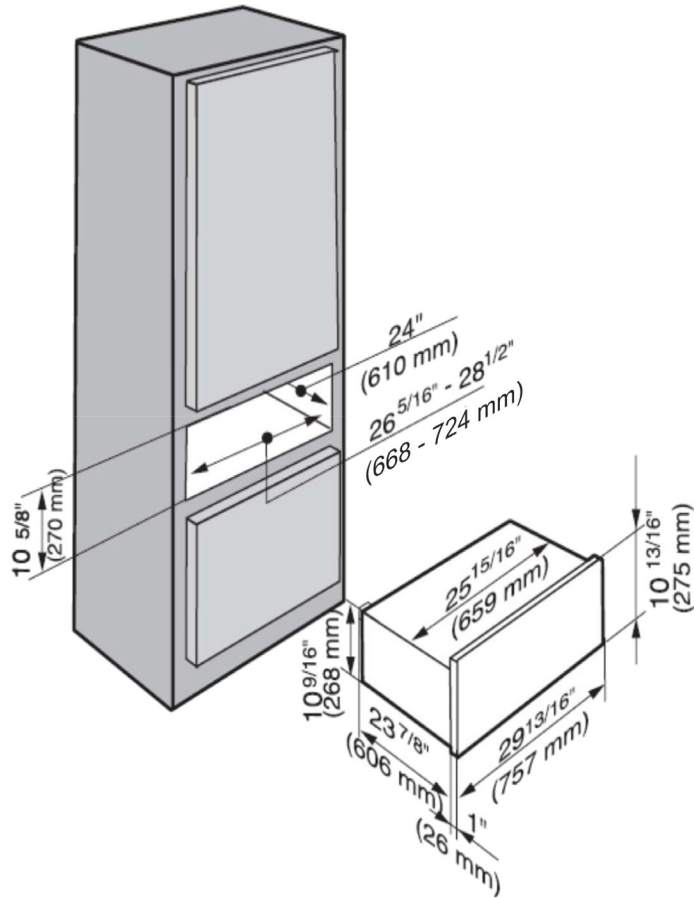
Support

Call Miele	800.999.1360
Miele Website	www.mieleusa.com
20/20 Link	2020technologies.com

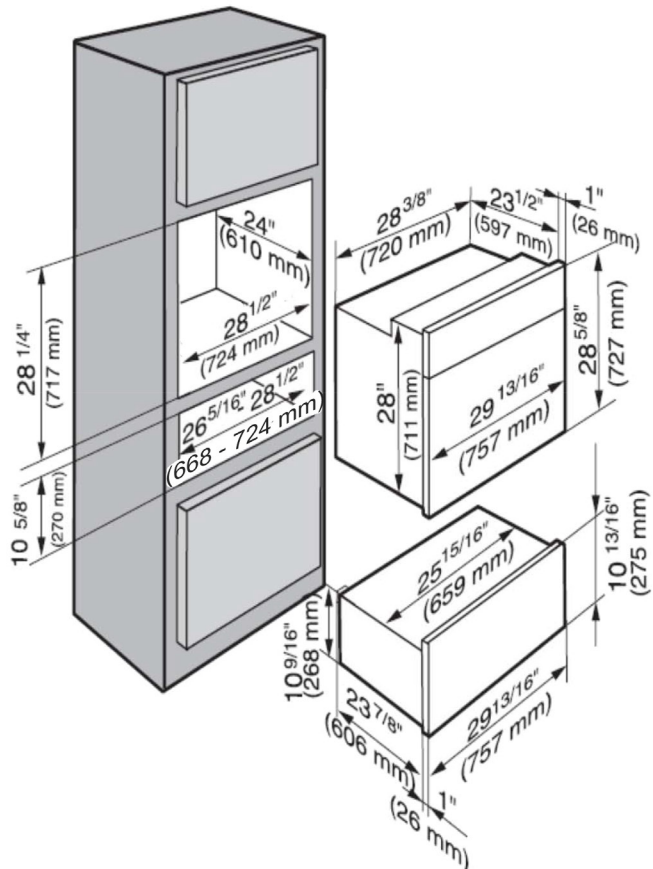
PureLine 30" Warming Drawer ESW 6880 GRGR

INSTALLATION SPECIFICATIONS

Solo Install



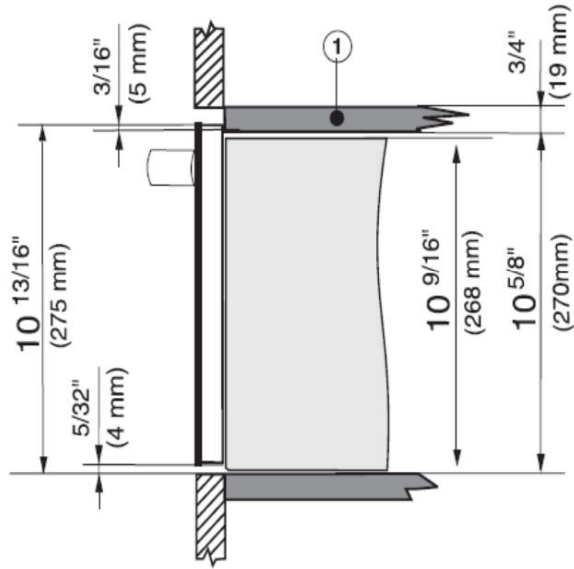
Install with 30" Oven



PureLine 30" Warming Drawer ESW 6880 GRGR

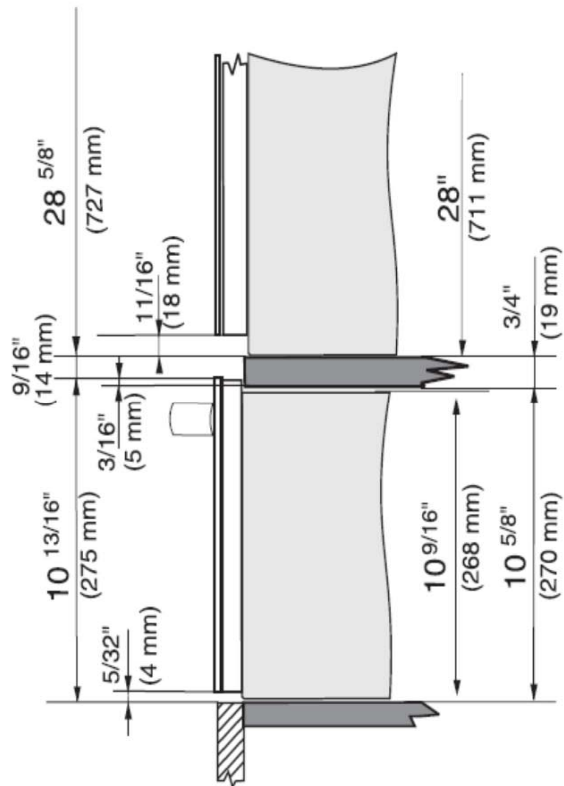
INSTALLATION SPECIFICATIONS

Side View



① Fixed shelf

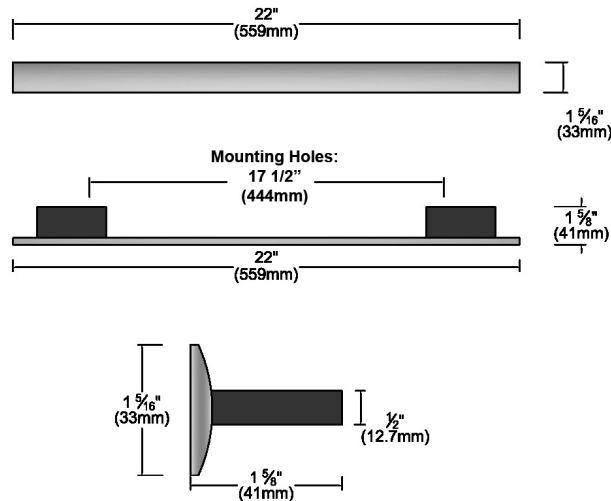
Side View with Oven



PureLine 30" Warming Drawer ESW 6880 GRGR

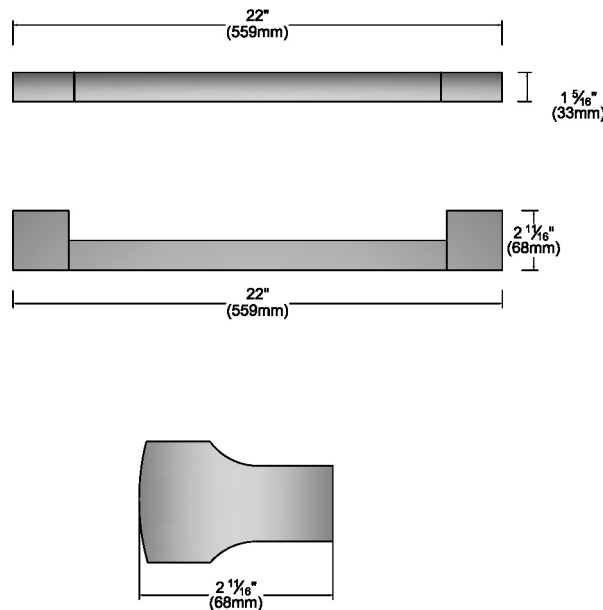
HANDLE DETAILS

All Miele Signature And PureLine
Handle Dimensions



Please note hinges may require adjusting or replacing when changing from a ContourLine Handle to a PureLine or Miele Signature Handle.

All ContourLine Handle
Dimensions



Please note hinges may require adjusting or replacing when changing from a PureLine or Miele Signature Handle to a ContourLine Handle.