

This design embodies the clean European style that has become a traditional favorite. Gorgona is a wall hood rarely seen with the power and features it includes.

SIZE	MODEL NO.	GREASE FILTER(S) (replacement)
47-1/4-in.	WPB9IQT48SB	B08087951 (4 required)

PERFORMANCE						
Duct Orientation	Size	Damper	CFM @ 0.1 Ps Sones	CFM @ 0.1 Ps Sones	CFM @ 0.1 Ps Sones	CFM @ 0.1 Ps Sones
Vertical - Round	10-in.	Included	(Boost) 1100 11.0	(High Speed) 880 7.5	(Med. Speed) 615 4.0	(Low Speed) 295 <0.3

FEATURES	
Finish	430 Stainless Steel #4 Brushed
Wall Mount	Yes
Telescopic Flue	Accommodates 8-ft. to 9-ft. ceilings
Blower type	iQ12 with High-Efficiency BLDC motor
Control type	4-Pushbuttons <ul style="list-style-type: none"> • Lights on/low/high/off • Delay-off Timer • Blower on-off, 4-speed selection • Filter Clean Indicator reset 1 LED display
Filter Clean Indicator	Reminds when grease filters should be cleaned
Heat Sentry™	Turns blower on to high speed when excess cooking heat is detected.
Lighting	2-level Halogen, 4 bulbs - T4, G9, 25W
Grease Filter(s)	Dishwasher-safe, mesh lined Hi-Flow™ baffle filters

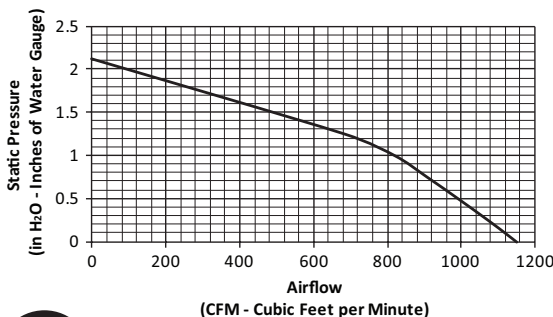
AC INPUT
120V, 60 Hz - 8.4 AMPS

OPTIONAL ACCESSORIES (sold separately)	
Remote Control	ACR3
Make-up Air Damper	MD6TU, MD8TU, MD10TU
Charcoal Filters	AFCWPB9
Non-Ducted Recirculation Kit	ANKWPB9
Flue Extension for 10-ft. to 11-ft. Ceilings (Ducted)	AEWPB9SB
Flue Extension for 10-ft. to 11-ft. Ceilings (Non-Ducted)	AEWPB9BN

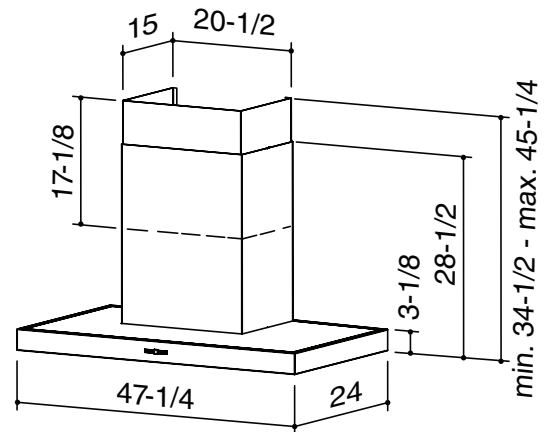
RECOMMENDED MOUNTING HEIGHT
24-in min. to 36-in. max. from cooktop to bottom of hood (See instructions for more info based on various ceiling heights)

LIMITED WARRANTY
1-year

FOR INDOOR USE ONLY



This product was tested by Broan-NuTone for airflow performance using the ANSI/AMCA 210 Standard, which is equivalent to the Home Ventilating Institute HVI 916 - Procedure for Air Flow Testing, and tested for sound performance using the ANSI S12.51 Standard, which is equivalent to the Home Ventilating Institute HVI 915 - Procedure for Loudness Rating of Residential Fan Products.



iQ12 BLOWER FEATURES	
Quiet Operation	Best in Class
Smoke / Odor Removal	Up to 30% faster than comparable models
Energy Efficiency	Up to 22 times more than comparable models
Guaranteed Performance System (GPS) technology	Calibrates hood system to every installation - providing 30% more CFM than standard range hoods. *

* Using a duct reducer with this hood may prevent the product from calibrating.

