

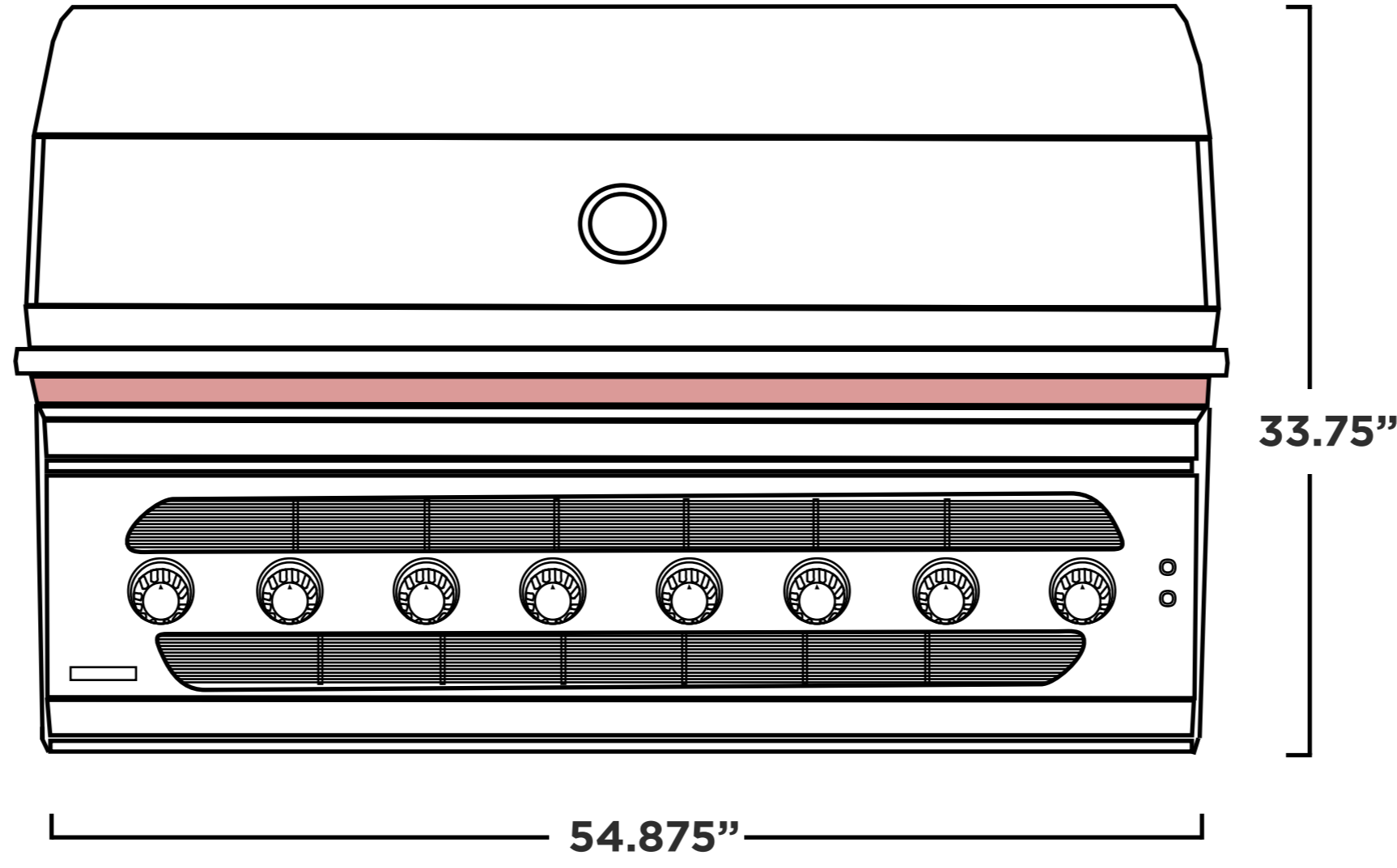


**SUMMERSET**  
PROFESSIONAL GRILLS

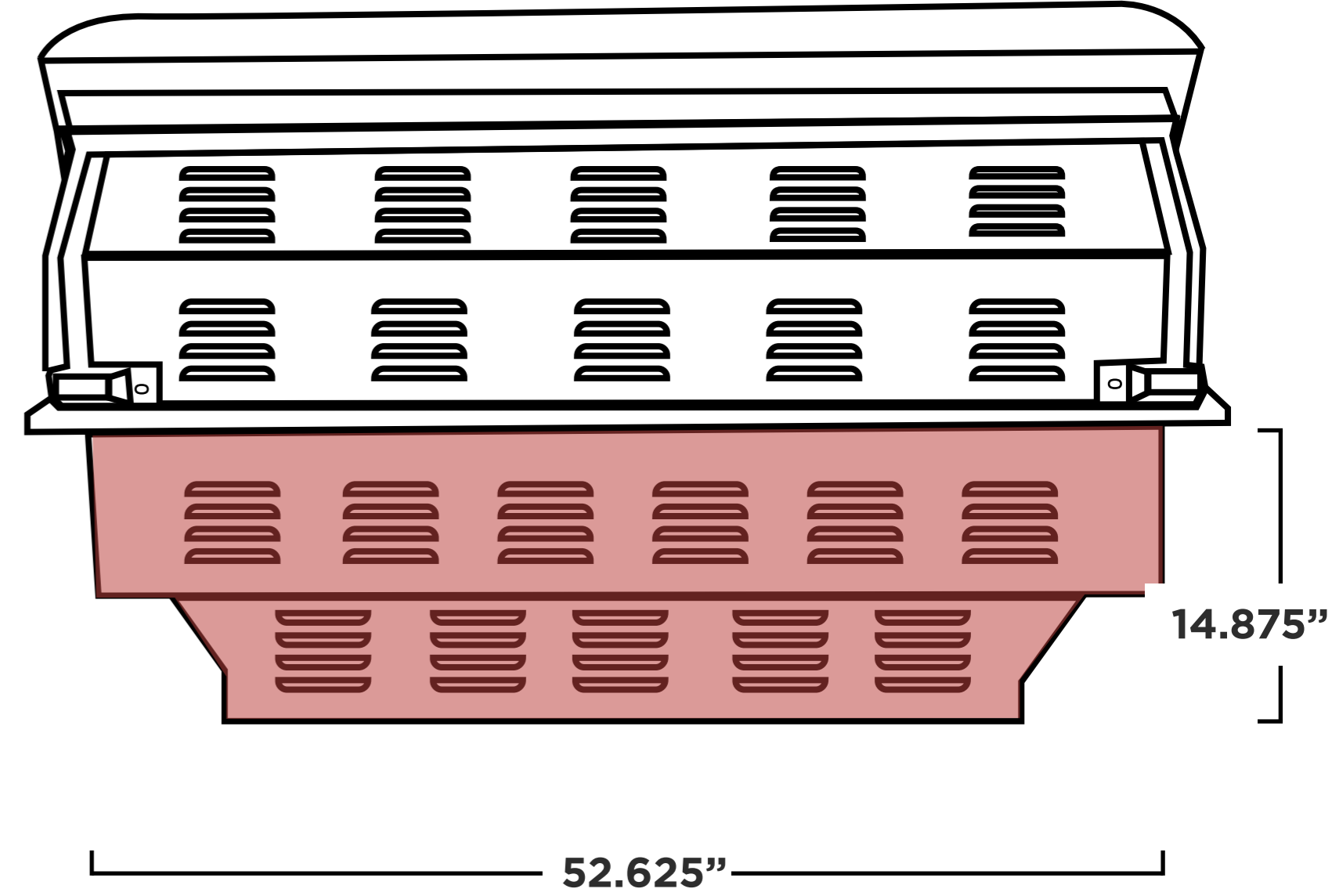
**54" - American Muscle Grill**

<b>Model</b>	AMG54
<b>Cutout Dimensions**</b>	53"W x 15"H x 25"D
<b>Actual Dimensions</b>	54.875"W x 33.75"H x 33"D
<b>Material</b>	#304 Stainless Steel
<b>Burner Count</b>	8 Main Burner
<b>Total BTU</b>	176,000 BTU
<b>Total Cooking Surface</b>	1,687 sq. in.
<b>Electical Supply</b>	120 VAC, 60 HZ - Input 12 VAC, 5000 mA, 60W - Output
<b>Gas Inlet NG</b>	1/2" NPT Female Regulator
<b>Gas Inlet LP</b>	3/8" NPT Male Fitting
<b>Power Cord Length</b>	13 ft. : 77" Power Cord + 80" Trans Wire

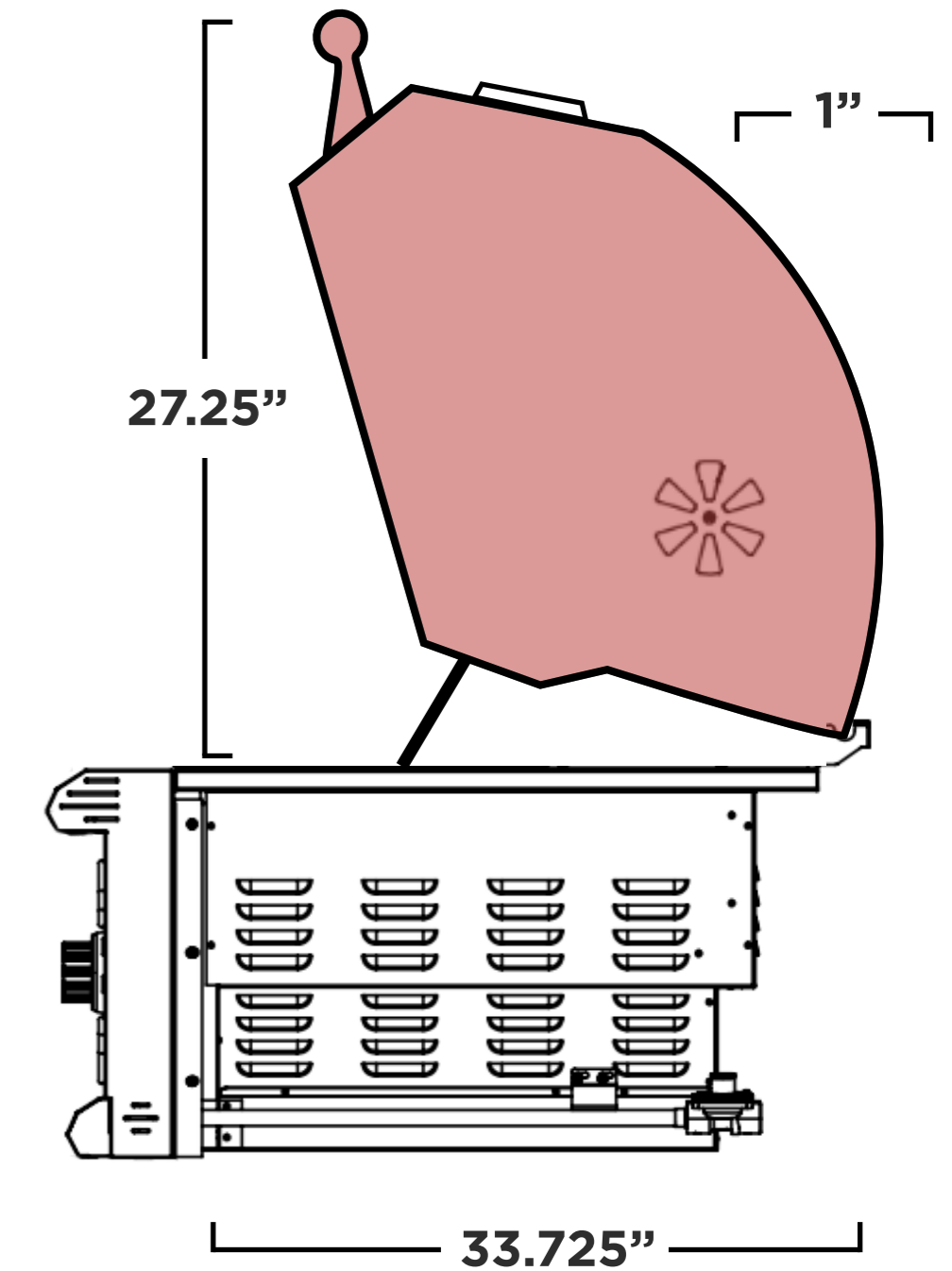
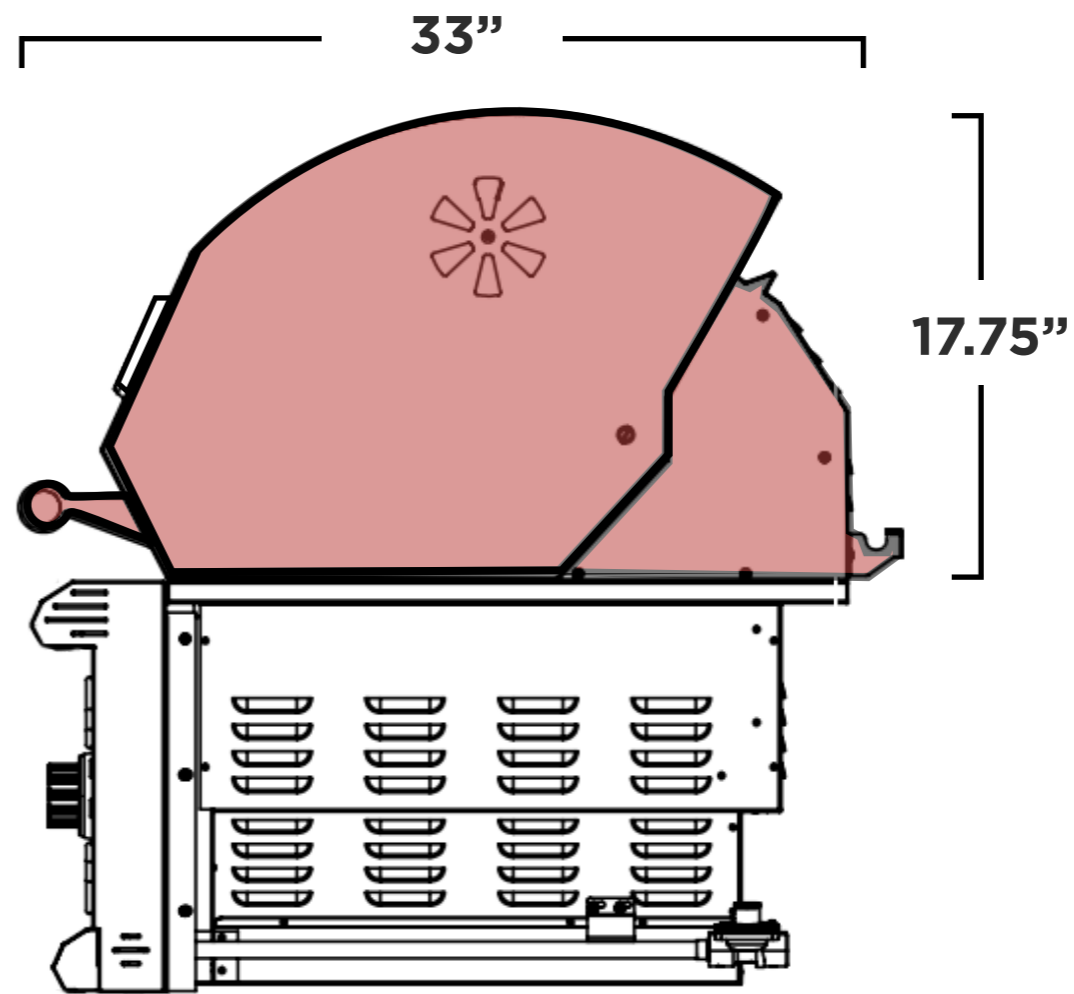
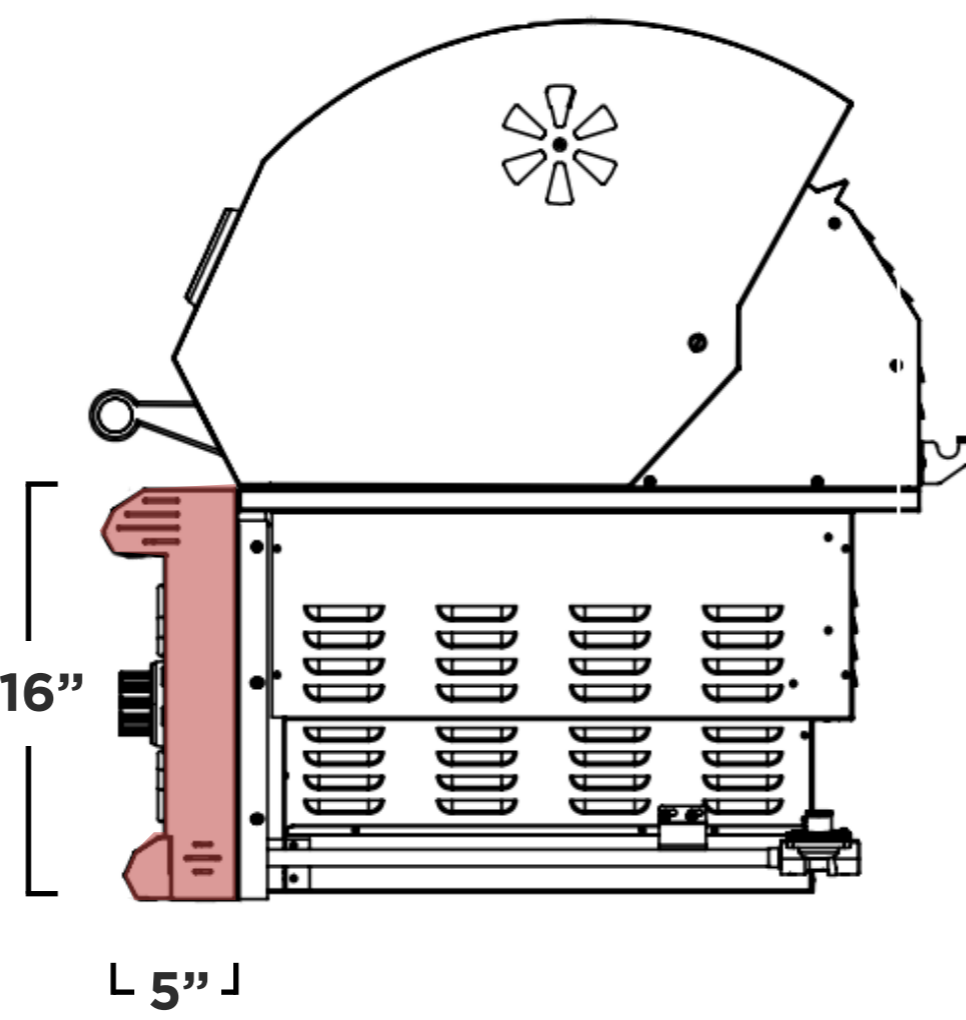
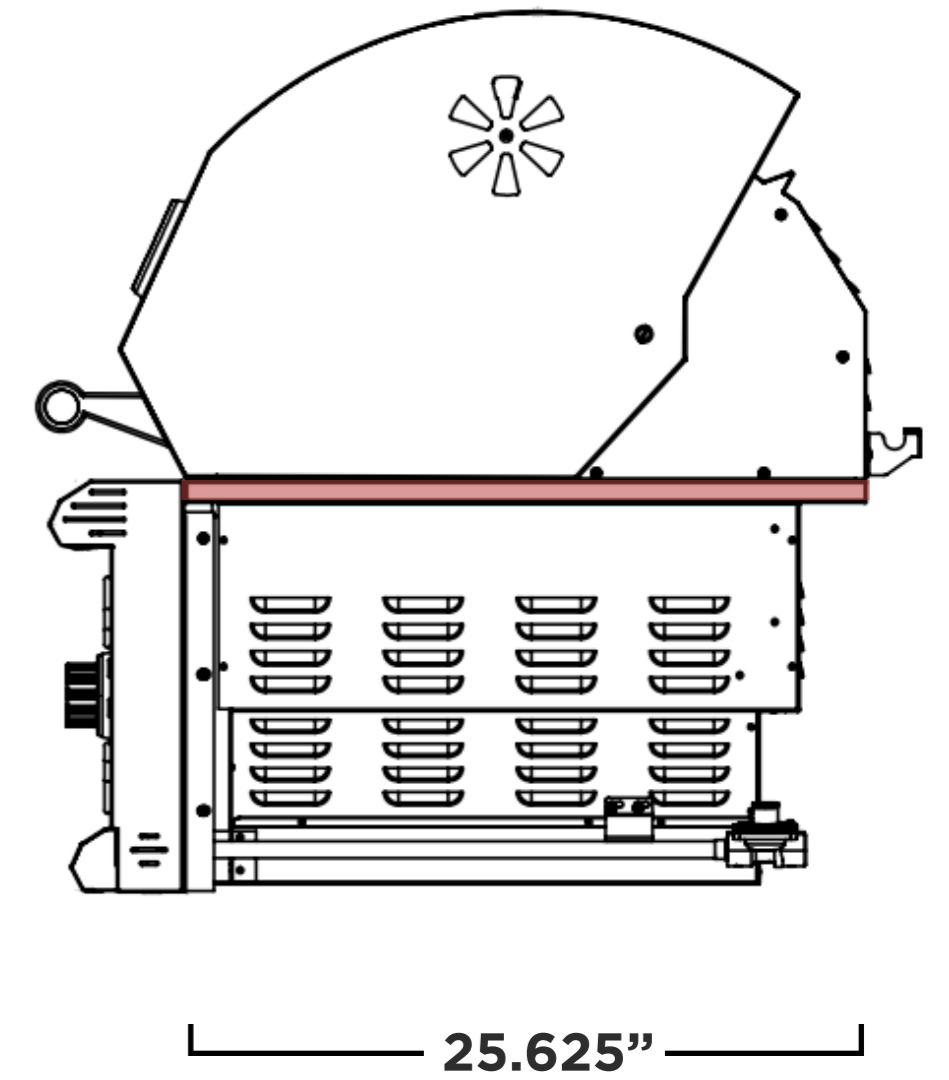
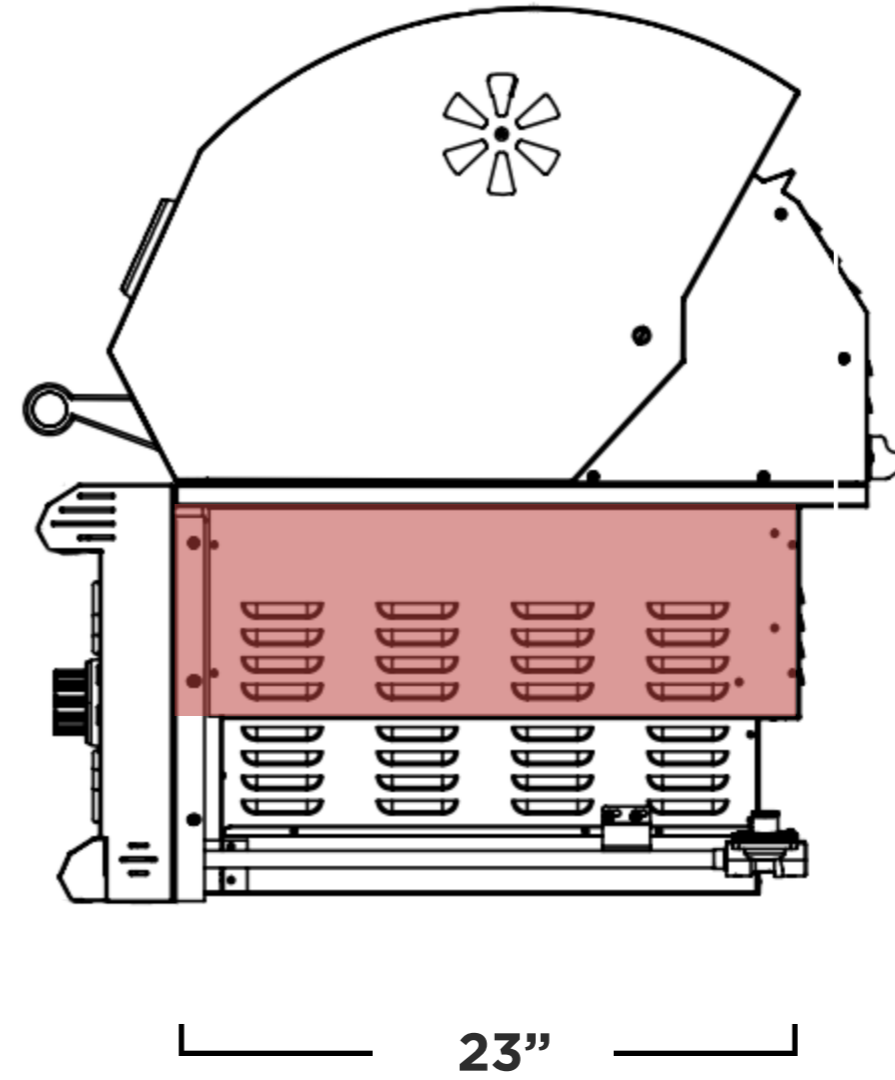
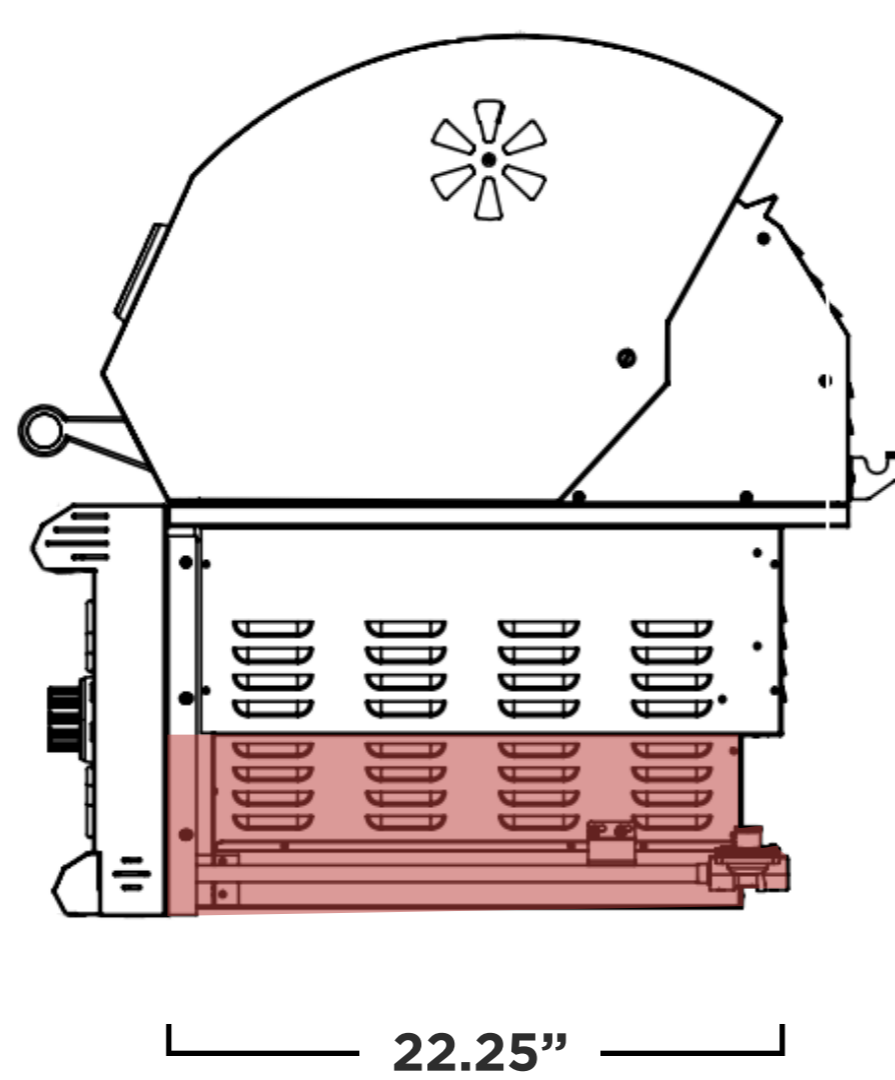
**Front**



**Rear**



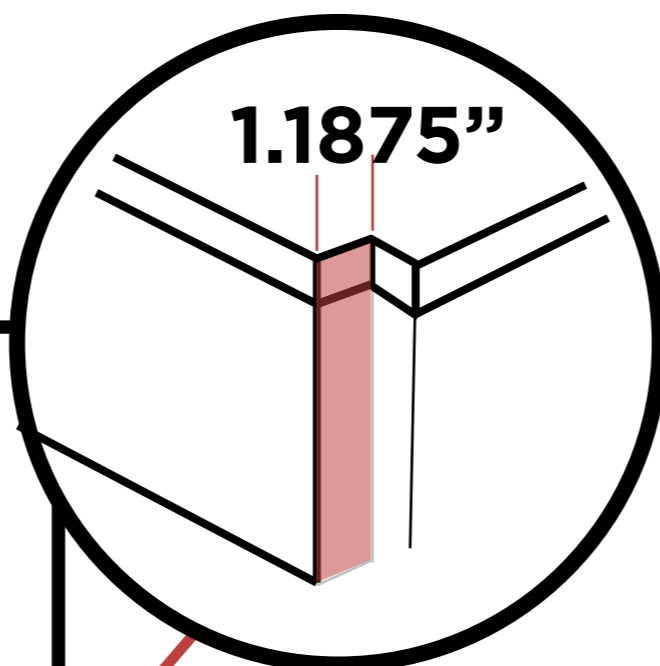
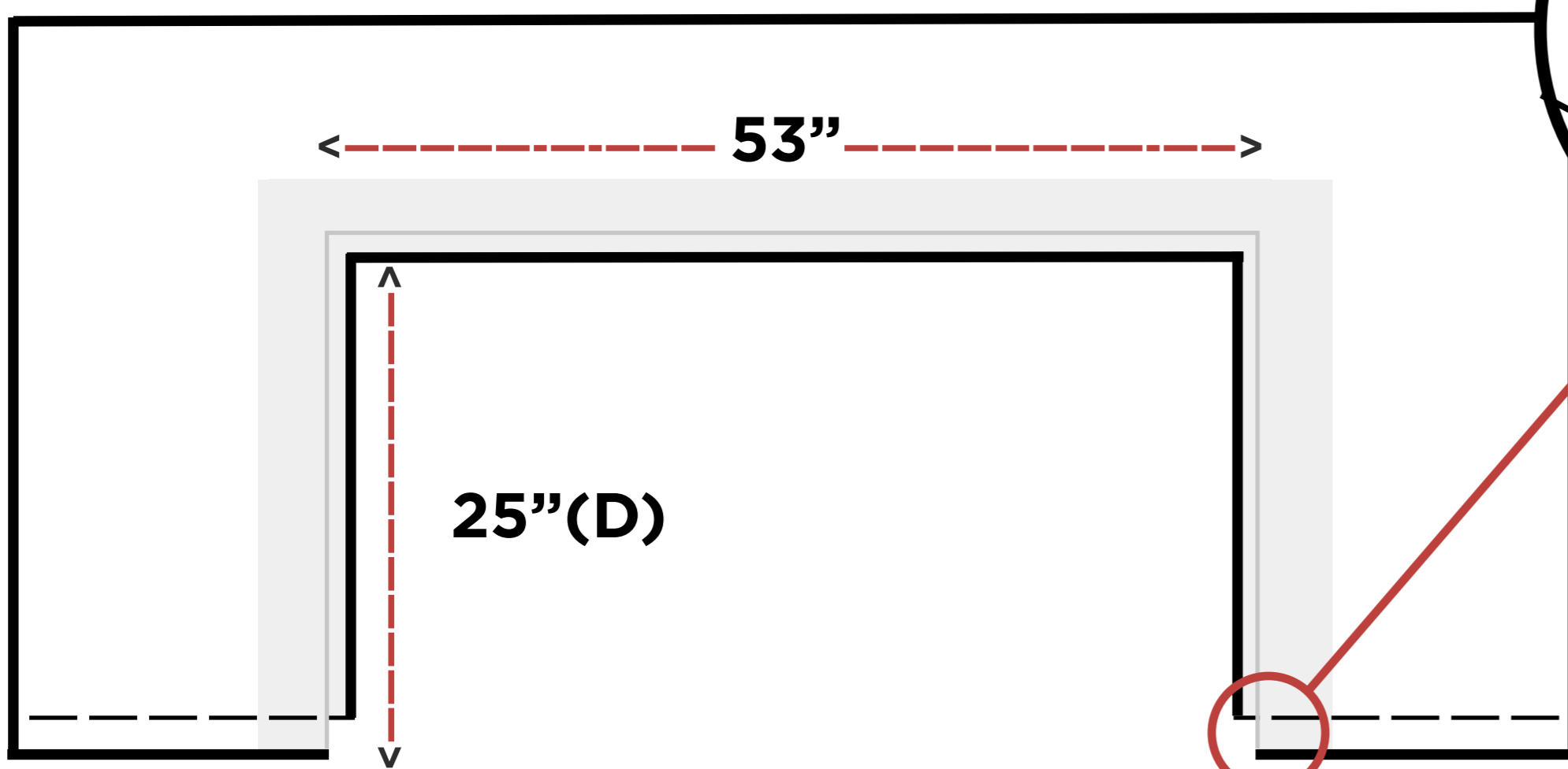
**Side**



**NOTES**

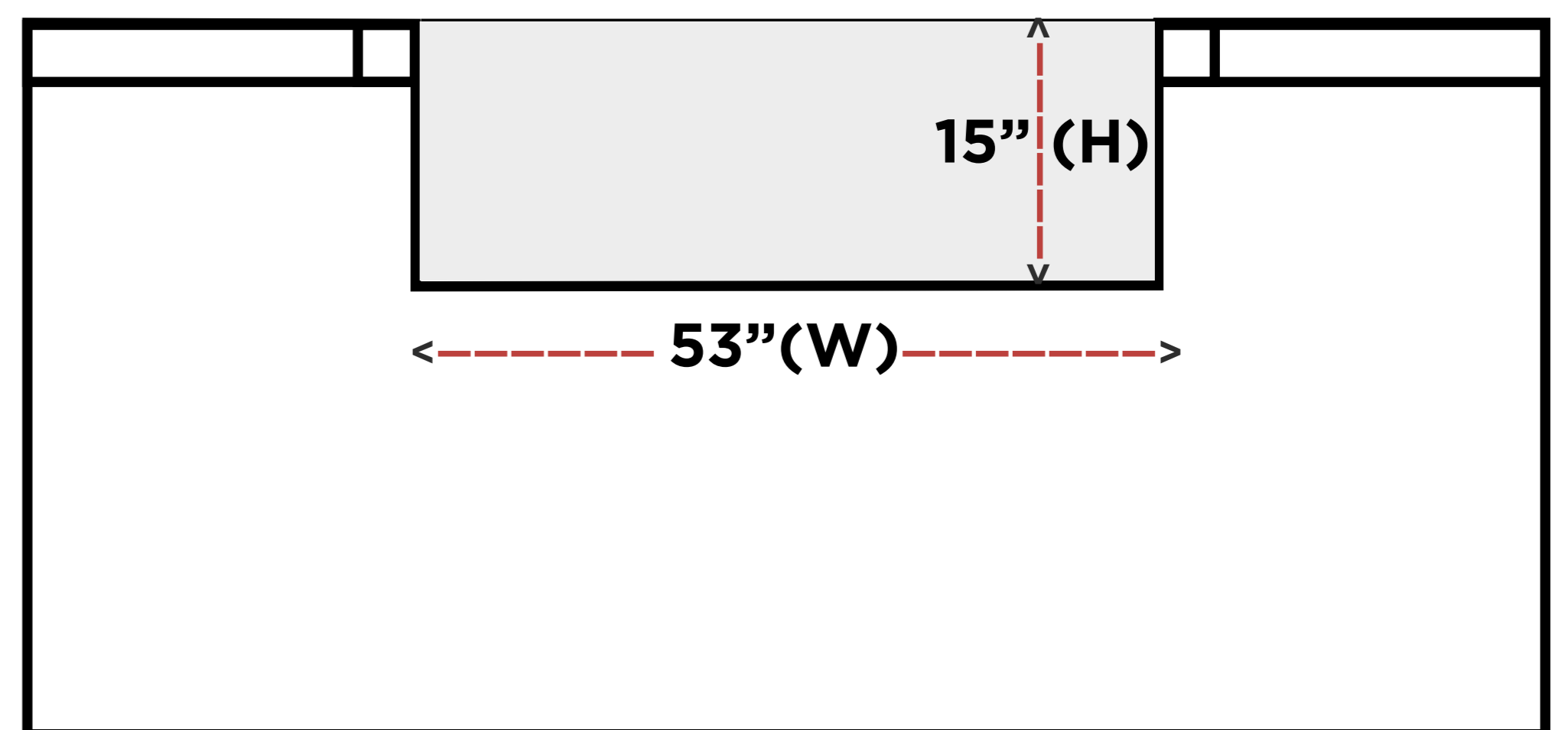
**Cutout Dimensions \*\***  
53"W x 15"H x 25"D

**Island Top View**



Countertop Notch  
Cutout Dimension

**Island Front View**



**Manufacturer Suggested Cutout Dimensions (\*\*)**