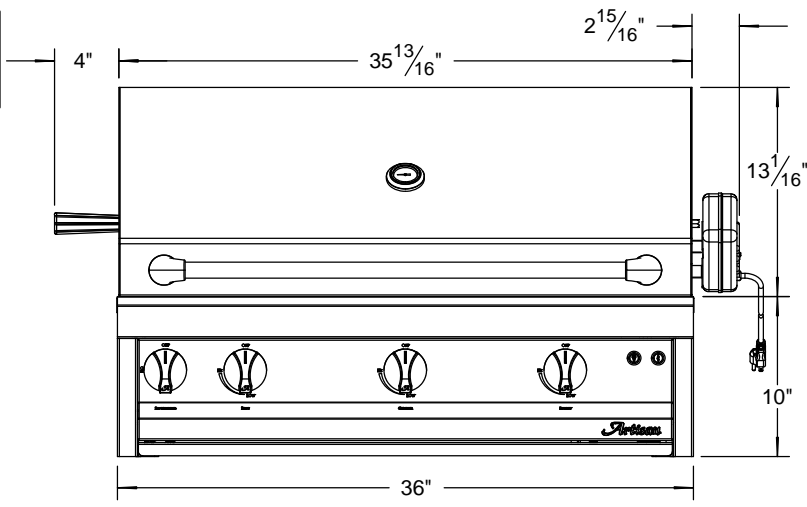
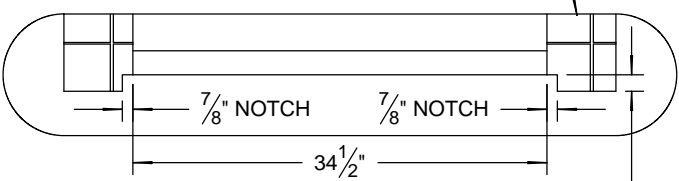
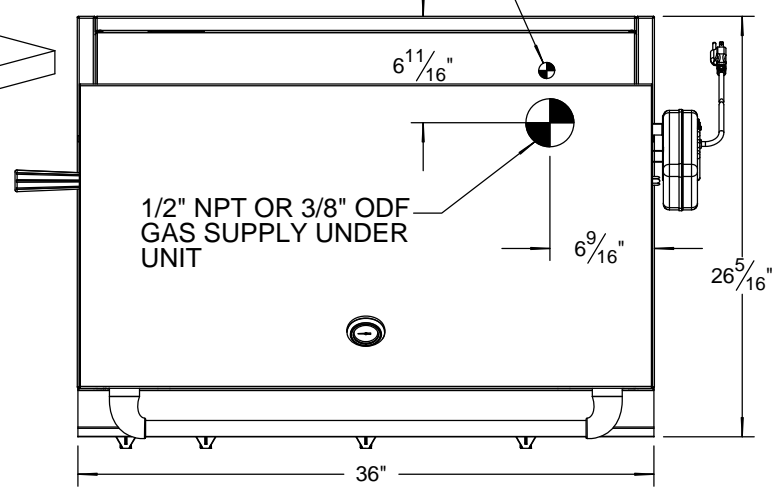
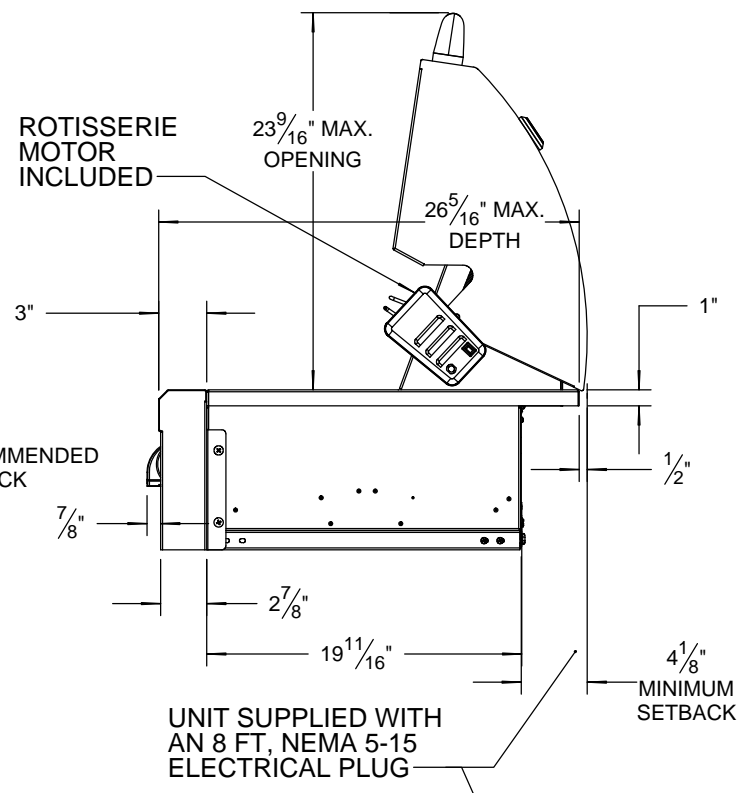
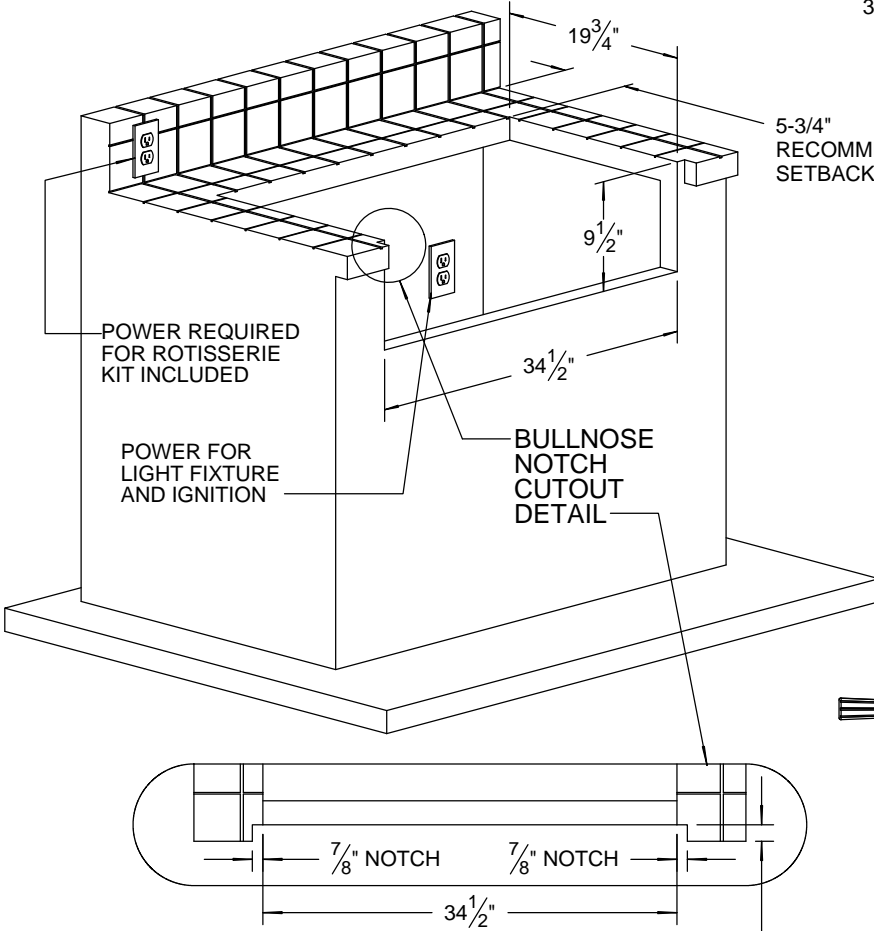


**TYPICAL ARTP-36 INSTALLATION**



**COUNTERTOP CUTOUT REQUIREMENTS**



**SPECIFICATIONS:**

BTUH = 75,000  
 FUEL NG @ 5 W.C. / LP @ 10 W.C.  
 ELECTRICAL POWER: 115 VAC / 0.71AMPS / 60 Hz.  
 GAS CONNECTION: 1/2" NPT (NG) OR 3/8" ODF (LP)

DEPTH EQUAL TO BULLNOSE OVERHANG

**NOTE:**  
 COUNTER MUST HAVE THE PROPER GAS SUPPLY AND ELECTRICAL POWER FOR YOUR ARTISAN BBQ.