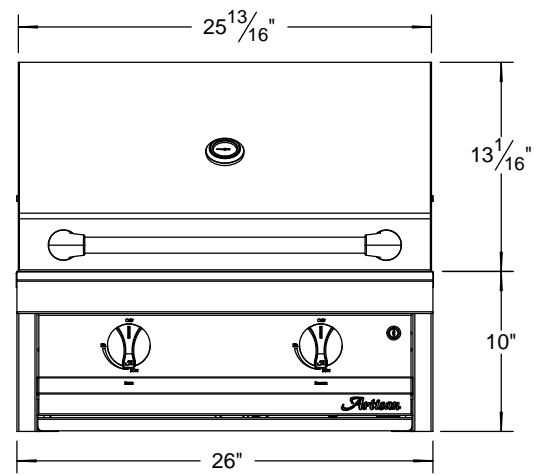
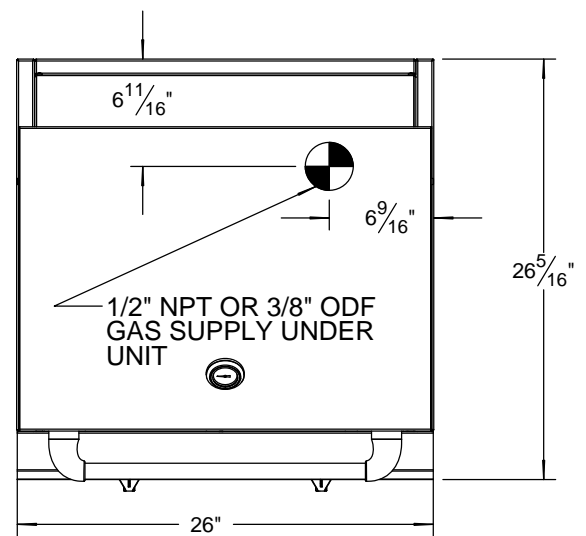
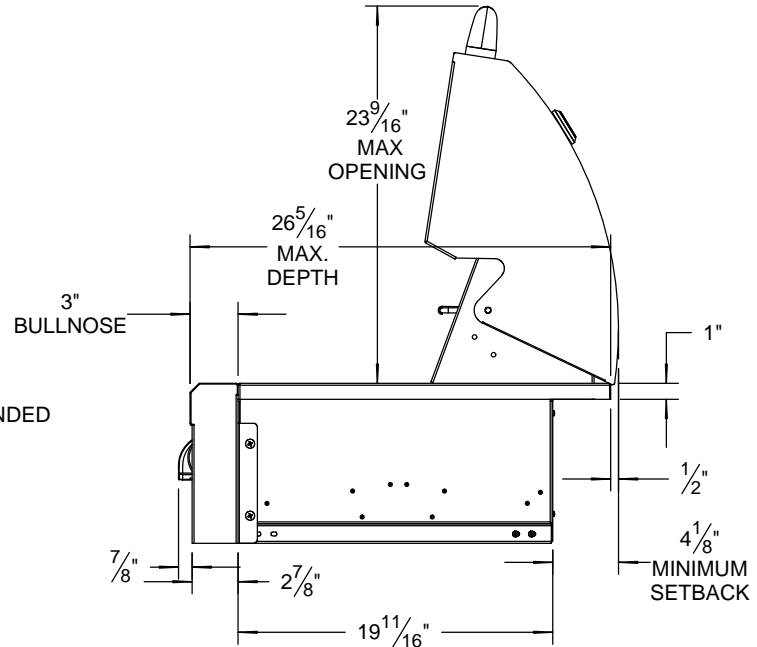
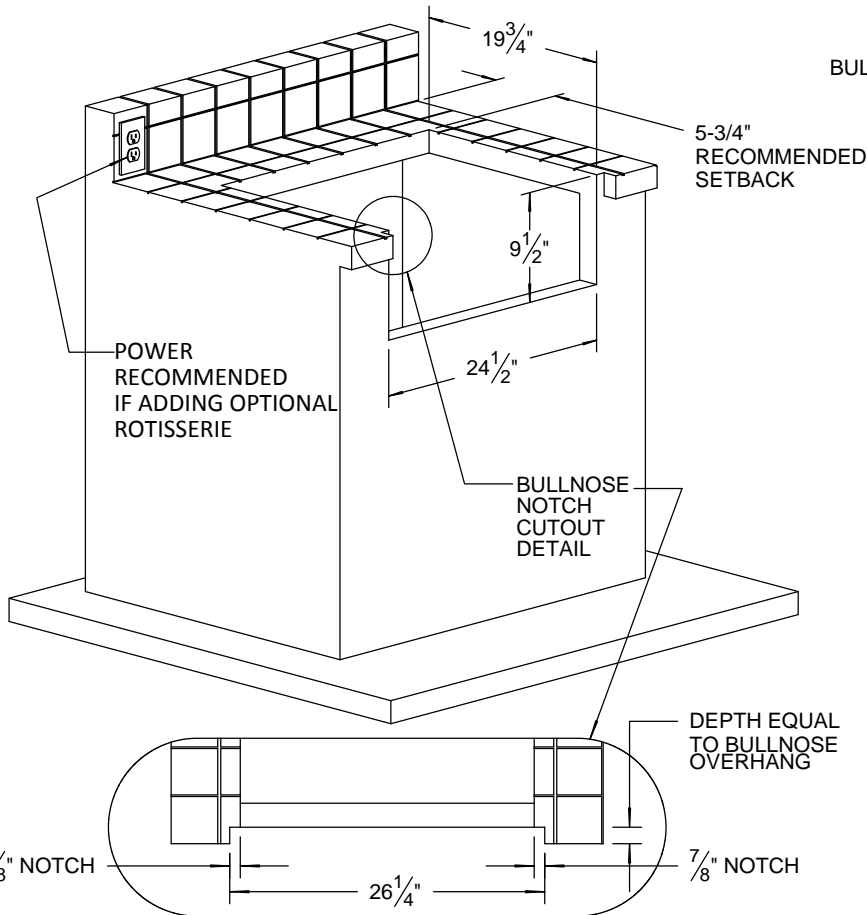


TYPICAL AAEP-26 INSTALLATION



COUNTERTOP CUTOUT REQUIREMENTS



SPECIFICATIONS:

BTUH = 40,000
 FUEL NG @ 5: W.C. / LP @ 10" W.C.
 ELECTRICAL POWER: 9 VDC IGNITION SYSTEM.
 GAS CONNECTION: 1/2" NPT (NG) OR 3/8" ODF (LP)

NOTE:

COUNTER MUST HAVE THE PROPER GAS SUPPLY FOR YOUR ARTISAN BBQ.

Artisan

THE INFORMATION CONTAINED IN THIS DRAWING IS THE SOLE PROPERTY OF SUPERIOR EQUIPMENT SOLUTIONS INC. ANY REPRODUCTION IN PART OR AS A WHOLE WITHOUT WRITTEN PERMISSION FROM SUPERIOR EQUIPMENT SOLUTIONS, INC. IS PROHIBITED.

PROJECT TITLE:

ARTISAN GRILLS

DRAWING NO.:

AAEP-26 SPEC SHEET

DRAWN BY: Jorge Pelayo

CREATED: Monday, March 07, 2016

DRAWING TITLE:

AAEP-26 SPECIFICATIONS

SHEET 1 OF 1

SUPERIOR EQUIPMENT SOLUTIONS
 7039 EAST SLAUSON AVENUE
 COMMERCE, CA. 90040