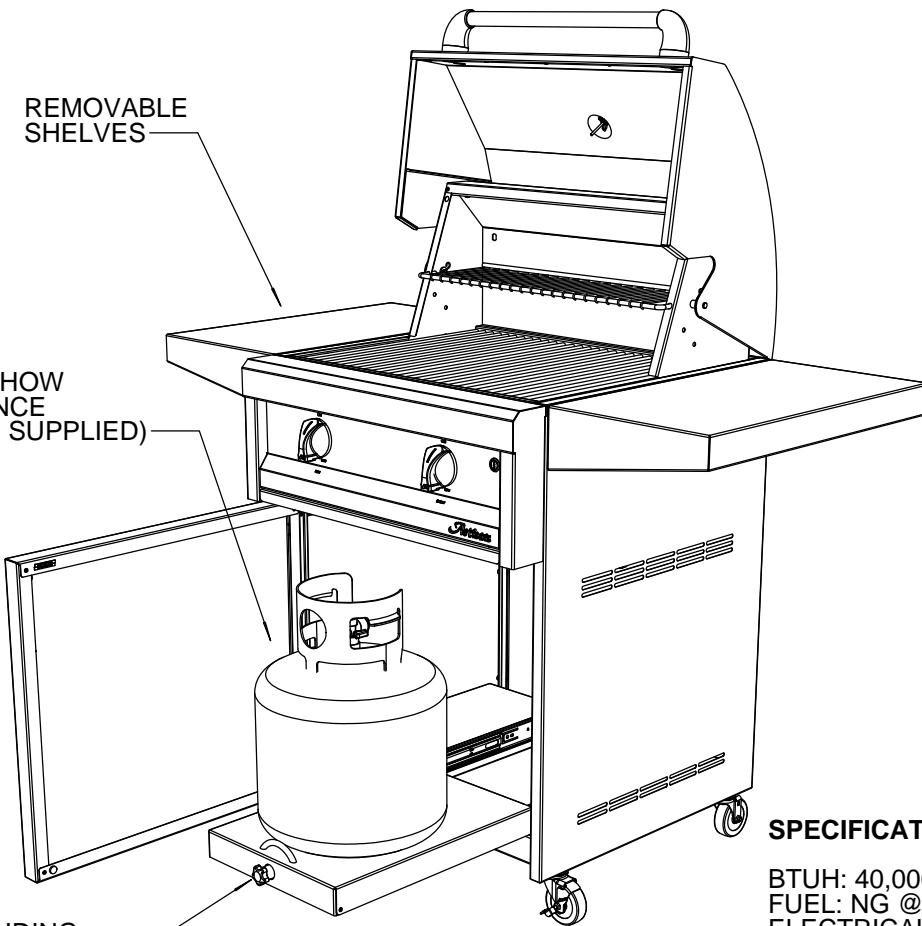


REMOVABLE  
SHELVES

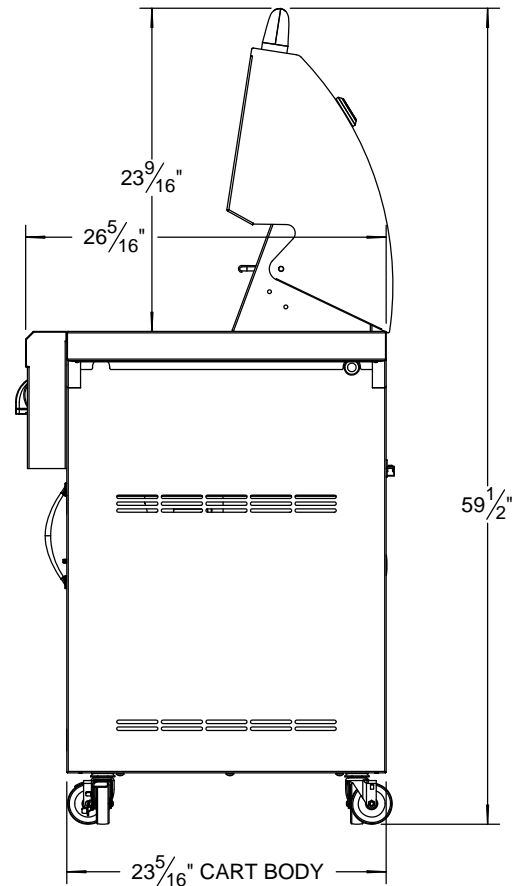
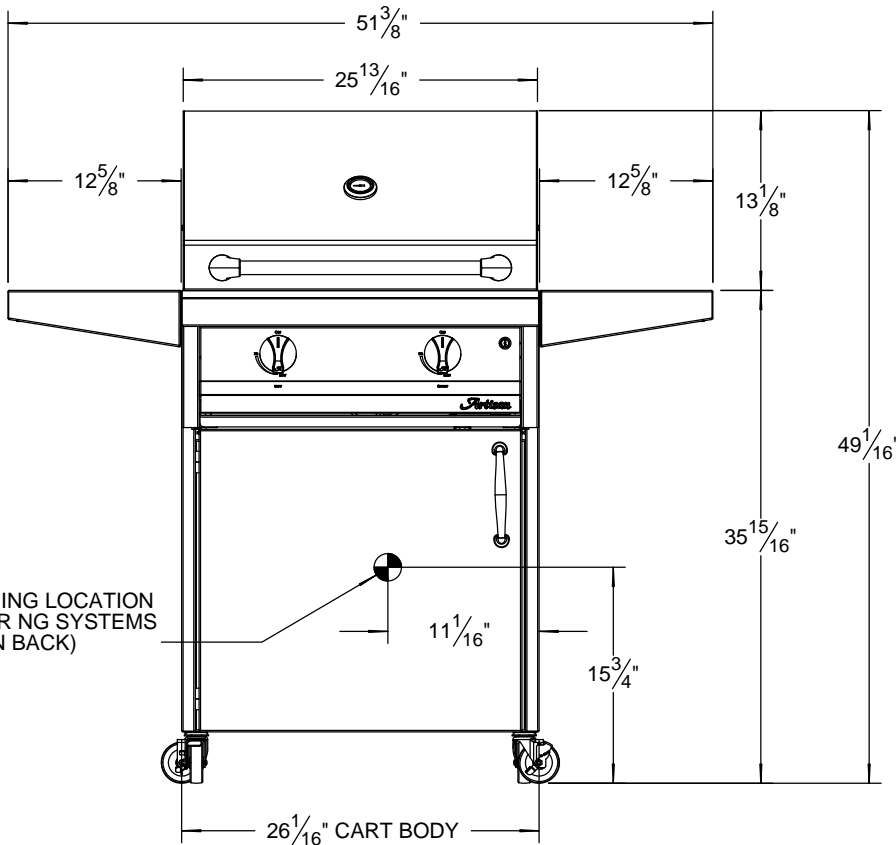
GAS TANK SHOW  
AS REFERENCE  
(CUSTOMER SUPPLIED)



GAS TANK SLIDING  
SHELF INCLUDED

**SPECIFICATIONS:**

BTUH: 40,000  
 FUEL: NG @ 5 W.C. OR LP @ 10 W.C.  
 ELECTRICAL POWER: 9 VDC IGNITION SYSTEM  
 GAS CONNECTION: 1/2" NPT (NG) OR 3/8" ODF (LP)



**Artisan**

THE INFORMATION CONTAINED IN THIS DRAWING IS THE SOLE PROPERTY OF SUPERIOR EQUIPMENT SOLUTIONS INC. ANY REPRODUCTION IN PART OR AS A WHOLE WITHOUT WRITTEN PERMISSION FROM SUPERIOR EQUIPMENT SOLUTIONS, INC. IS PROHIBITED.

PROJECT TITLE:  
**ARTISAN GRILLS**

DRAWING NO.:  
**AAEP-26C SPEC SHEET**

**DRAWN BY: JORGE PELAYO**  
**CREATED: Wednesday, March 09, 2016**

DRAWING TITLE: