

ASSEMBLY INSTRUCTIONS
COASTER FINE FURNITURE



ASSEMBLY TIPS:

- 1 . Remove hardware from box and sort by size.
- 2 . Please check to see that all hardware and parts are present prior to start of assembly.
- 3 . Please follow attached instructions in the same sequence as numbered to ensure fast & easy assembly.



Warning !

- 1 . Don't attempt to repair or modify parts that are broken or defective. Please contact the store immediately.
- 2 . This product is for home use only and not intended for commercial establishment.

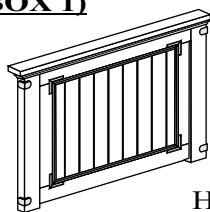


ASSEMBLY TIME 40 MINUTES

PARTS IDENTIFICATION

B1 (BOX 1)

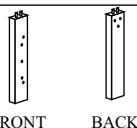
A



HEADBOARD PANEL

1 PC.

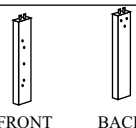
B



FRONT BACK

RIGHT HEADBOARD LEG 1 PC.

C



FRONT BACK

LEFT HEADBOARD LEG 1 PC.

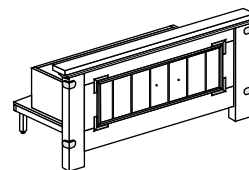
D



WOOD CLEAT 2 PCS.

B2 (BOX 2)

E

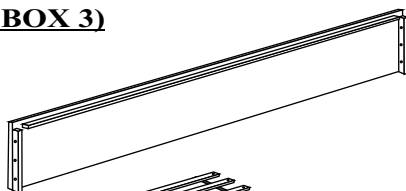


STORAGE FOOTBOARD

1 PC.

B3 (BOX 3)

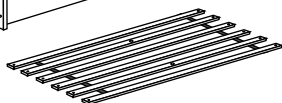
F



BED RAIL

2 PCS.

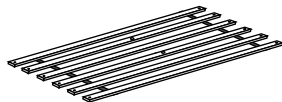
G



HEADBOARD ROLL SLAT

1 SET

H



FOOTBOARD ROLL SLAT

1 SET

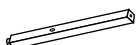
I



BED SLAT SUPPORT WITH LEVELER (WITHOUT HOLE)

3 PCS.

J



BED SLAT SUPPORT WITH LEVELER (WITH HOLE)

1 PC.

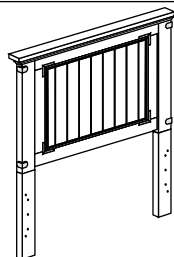
K



CONCEAL PANEL

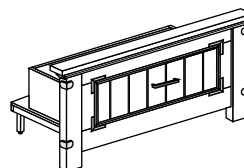
1 PC.

HB



205260 T (B1)
* FROM BOX 1
HEADBOARD COMPLETE 1 PC.

E



205260 T (B2)
* FROM BOX 2
STORAGE FOOTBOARD 1 PC.










ASSEMBLY TIPS:

- 1 . Remove hardware from box and sort by size.
- 2 . Please check to see that all hardware and parts are present prior to start of assembly.
- 3 . Please follow attached instructions in the same sequence as numbered to ensure fast & easy assembly.

**Warning !**

- 1 . Don't attempt to repair or modify parts that are broken or defective. Please contact the store immediately.
- 2 . This product is for home use only and not intended for commercial establishment.

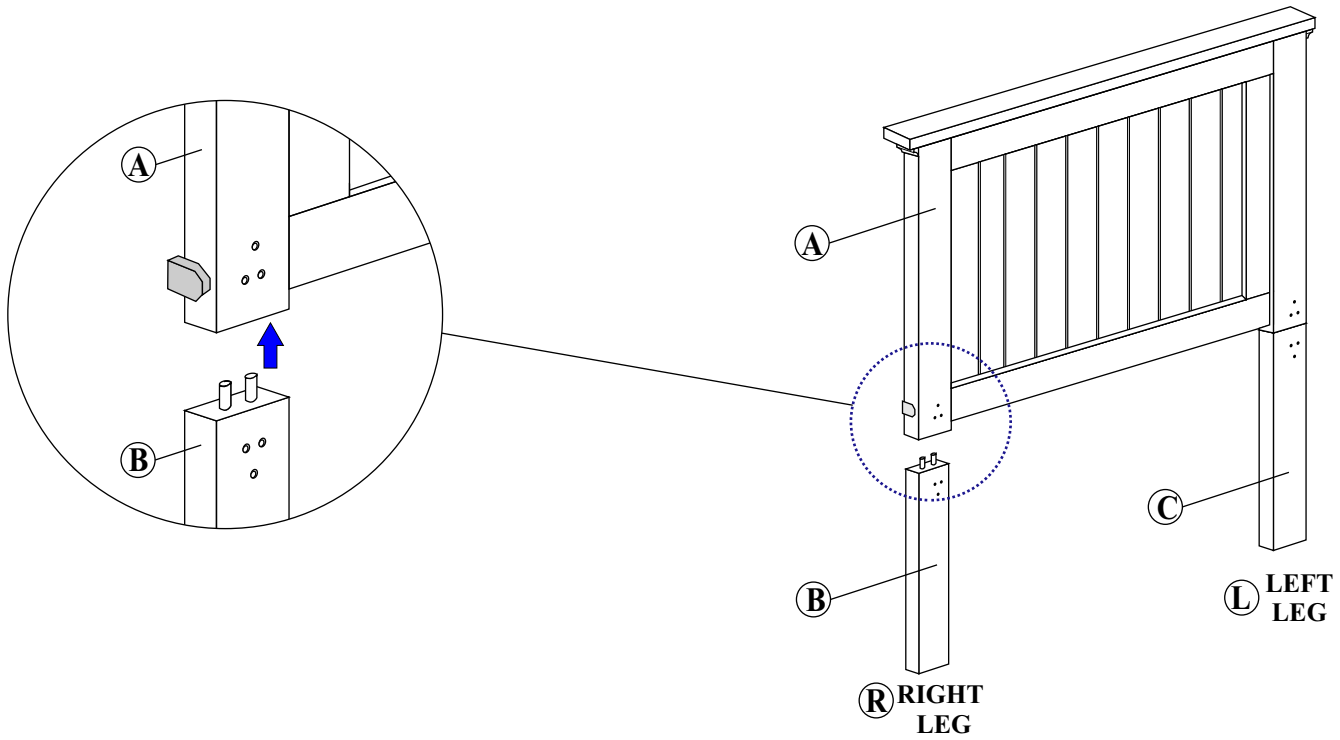
HARDWARE IDENTIFICATION**Z- B3 (BOX 3) - HARDWARE PACK IS LOCATED IN 205260 T (B3)**

1		LONG BOLT	12 PCS.
2		SHORT BOLT	16 PCS.
3		LARGE FLAT WASHER	12 PCS.
4		SMALL FLAT WASHER	12 PCS.
5		LOCK WASHER	24 PCS.
6		LONG SCREW	25 PCS.
7		SHORT SCREW	4 PCS.
8		ALLEN WRENCH	1 PC.
9		WOOD DOWEL	8 PCS.

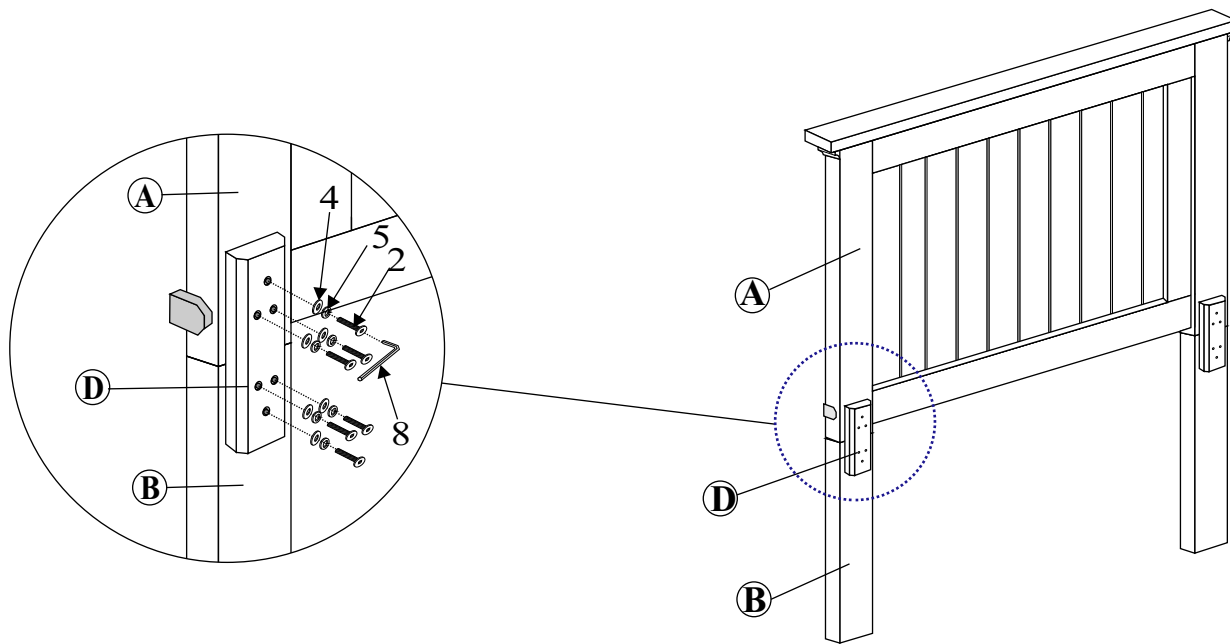
NOTE : PHILLIPS HEAD SCREW DRIVER IS REQUIRED IN THE ASSEMBLY PROCESS; HOWEVER MANUFACTURER DOES NOT PROVIDE THIS ITEM.

205260 T (B1) - BOX 1

STEP 1

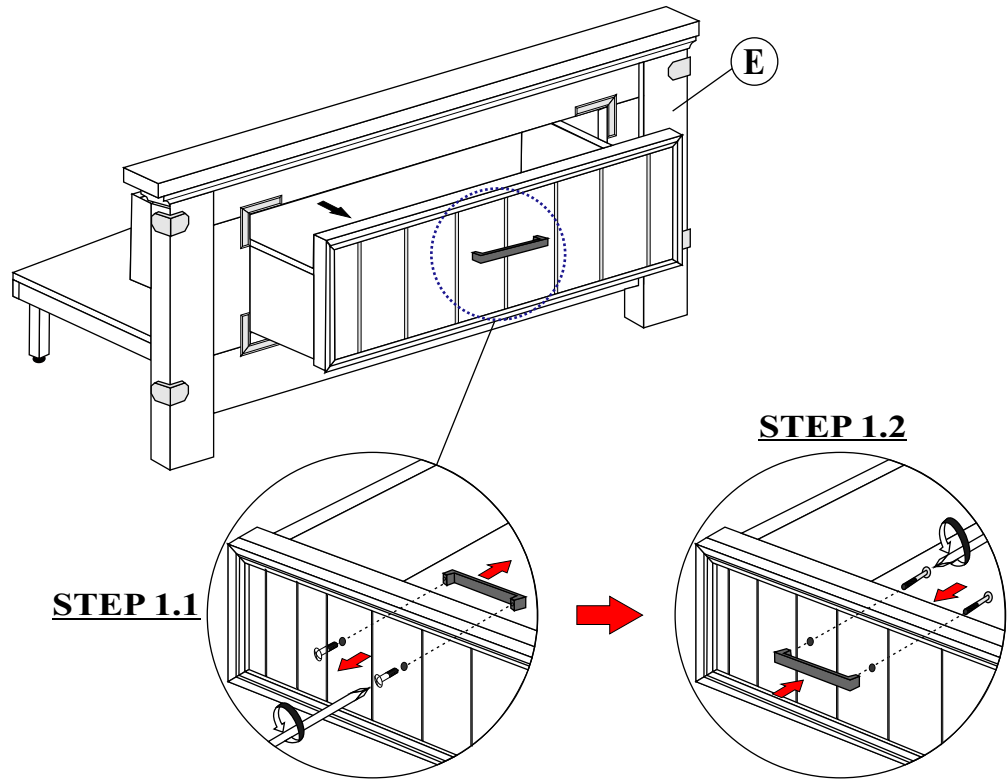


STEP 2



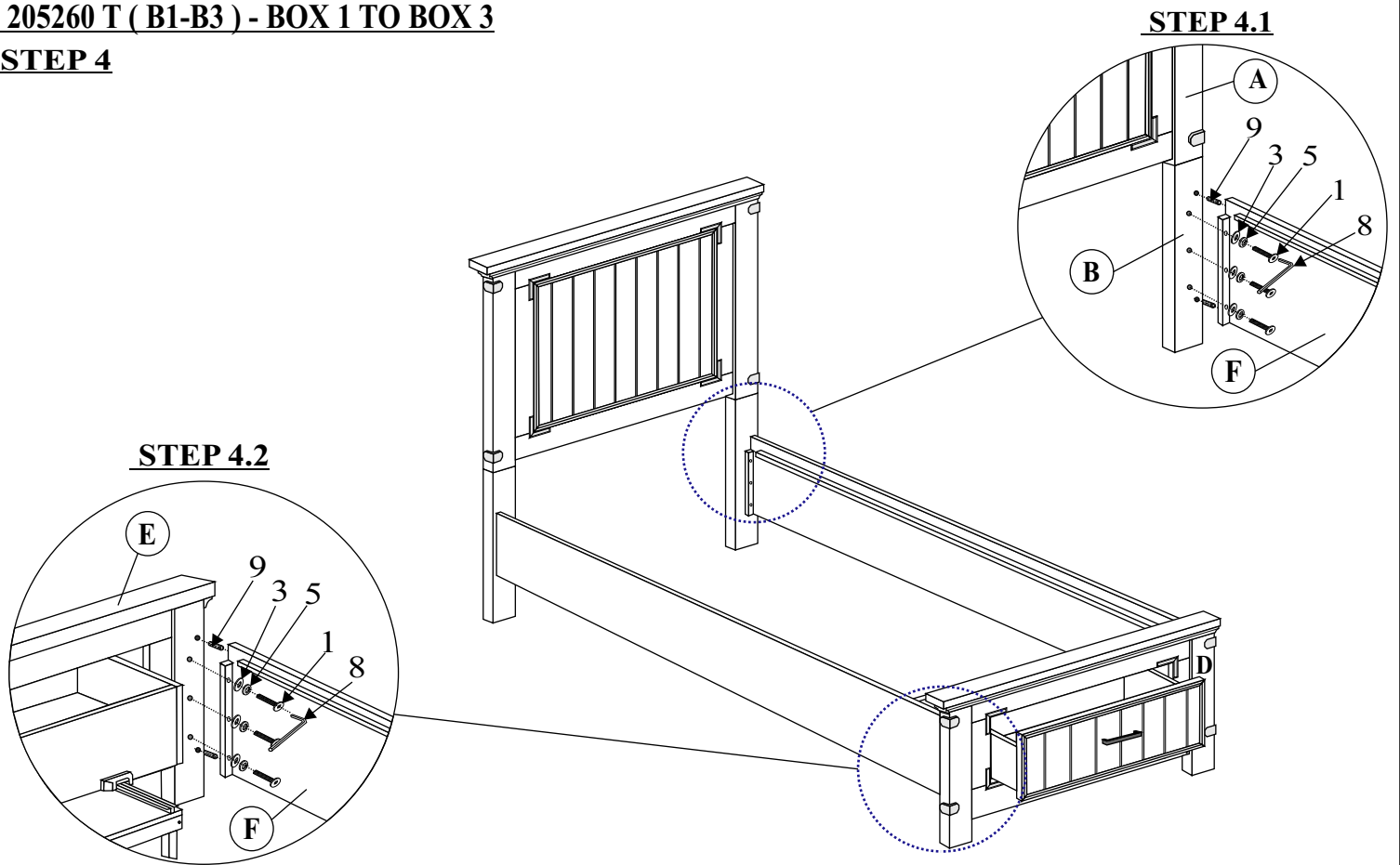
205260 T (B2) - BOX 2

STEP 3

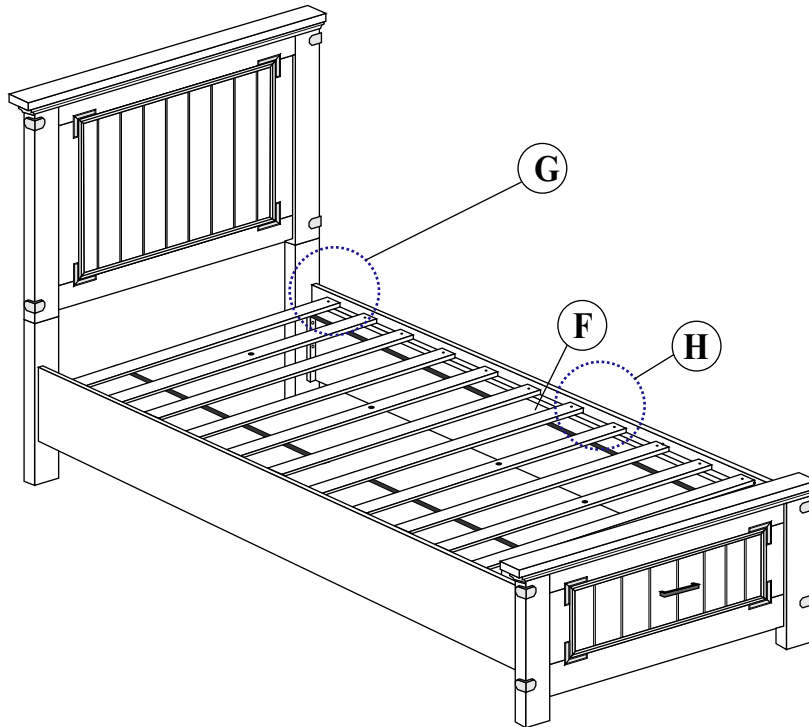


205260 T (B1-B3) - BOX 1 TO BOX 3

STEP 4



STEP 5

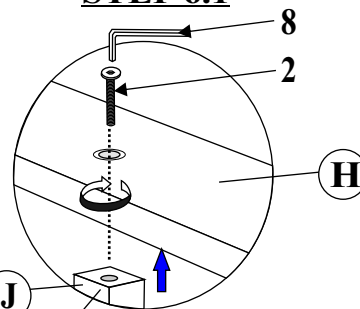


STEP 6

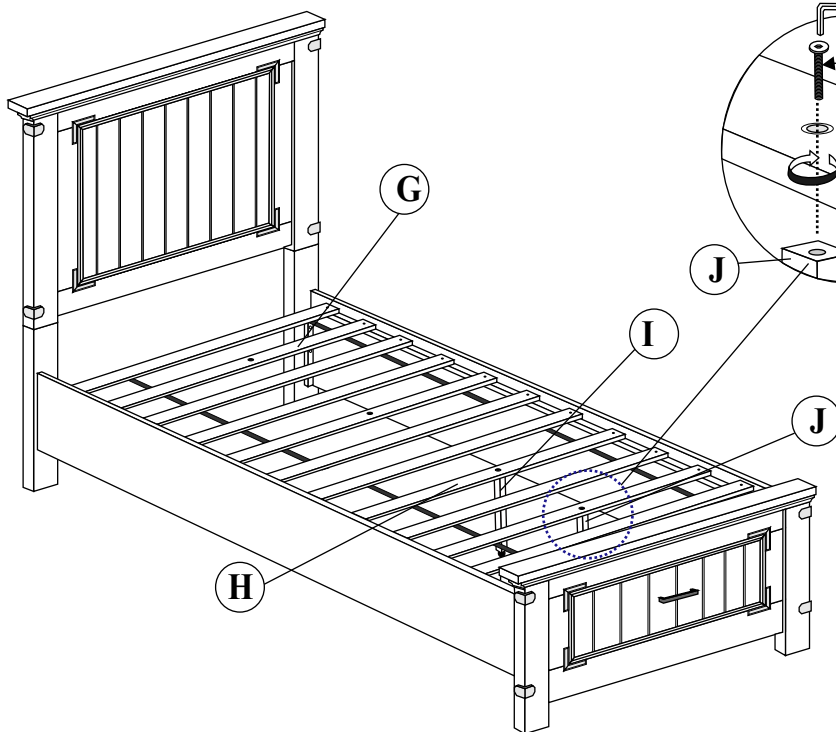
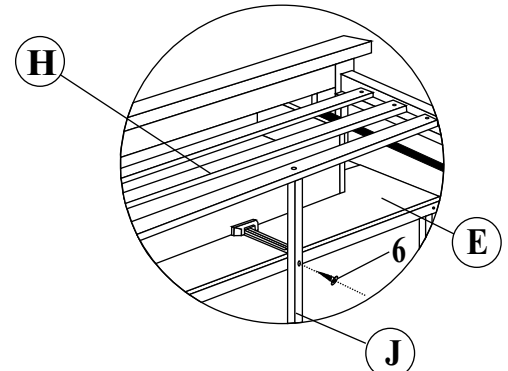
NOTE:

- 6.1 . Fully insert the drawer boxes until touching the back panel.
- 6.2 . In order to make sure the surface of the drawer is align properly with the footboard frame , align and adjust the height of footboard bottom panel before fully tighten using long screw (6) .
- 6.3 . Adjust leveler underneath the footboard to touch the floor . .

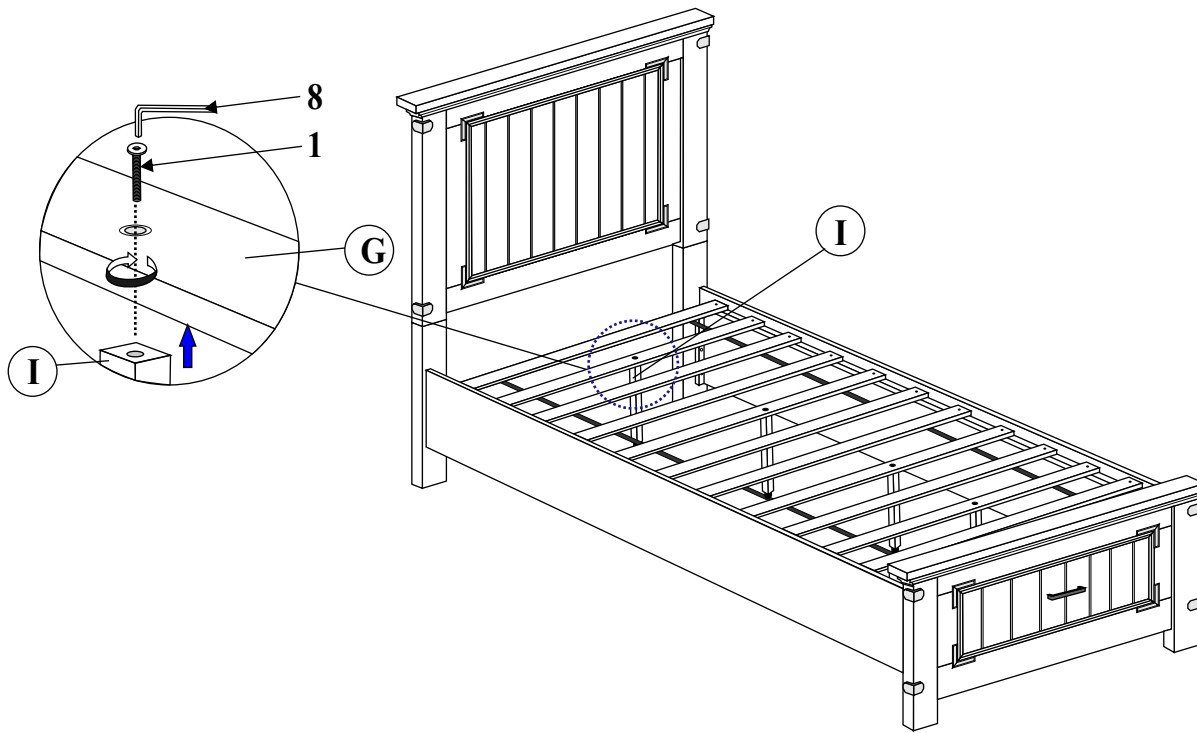
STEP 6.1



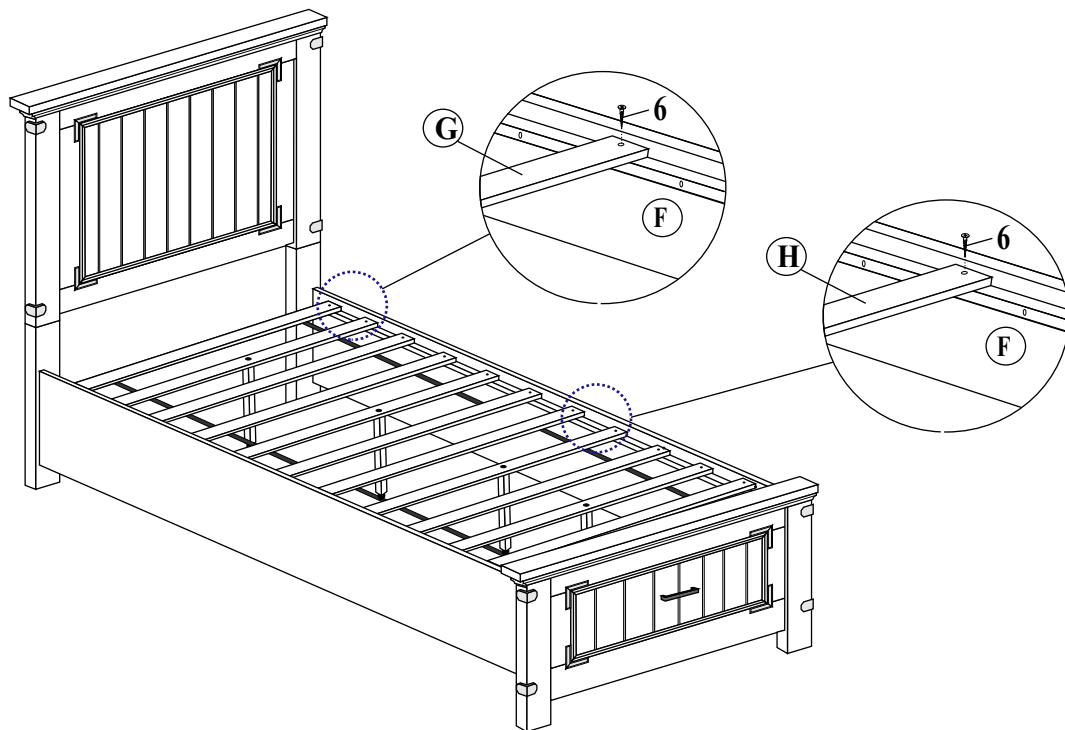
STEP 6.2



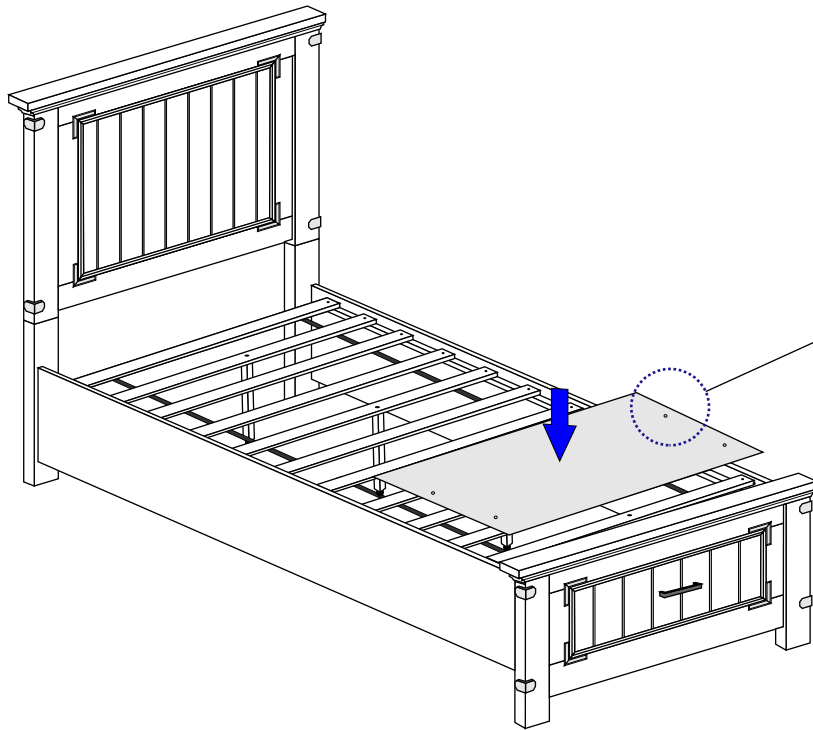
STEP 7



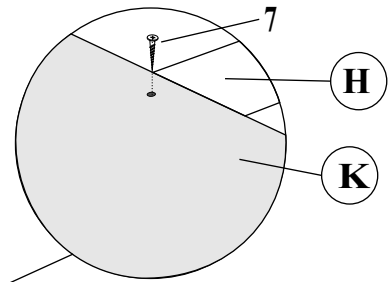
STEP 8



STEP 9



STEP 7



ASSEMBLY COMPLETE

