

ASSEMBLY INSTRUCTIONS
COASTER FINE FURNITURE



ASSEMBLY TIPS:

- 1 . Remove hardware from box and sort by size.
- 2 . Please check to see that all hardware and parts are present prior to start of assembly.
- 3 . Please follow attached instructions in the same sequence as numbered to ensure fast & easy assembly.



Warning !

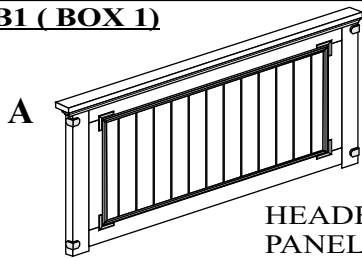
- 1 . Don't attempt to repair or modify parts that are broken or defective. Please contact the store immediately.
- 2 . This product is for home use only and not intended for commercial establishment.



ASSEMBLY TIME 20 MINUTES

PARTS IDENTIFICATION

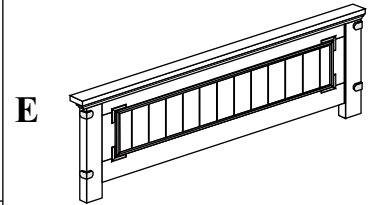
B1 (BOX 1)



HEADBOARD PANEL

1 PC.

B			C		
	FRONT	BACK		FRONT	BACK
	RIGHT HEADBOARD LEG 1 PC.			LEFT HEADBOARD LEG 1 PC.	



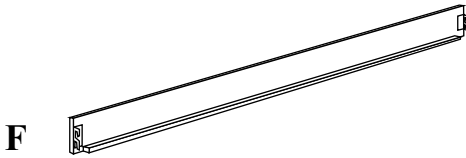
E

FOOTBOARD

1 PC.

D		WOOD CLEAT 2 PCS.
----------	--	-------------------

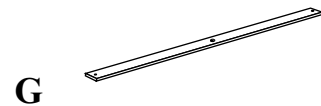
B2 (BOX 2)



F

BED RAIL

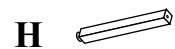
2 PCS.



G

BED SLAT

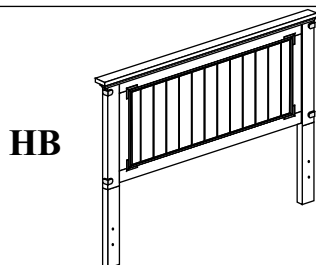
4 PCS.



H

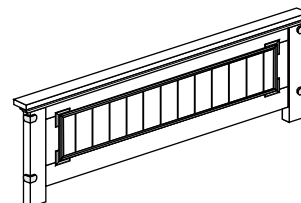
BED SLAT SUPPORT WITH LEVELER

4 PCS.



HB

205261 F (B1)
* FROM BOX 1
HEADBOARD COMPLETE 1 PC.



E

205261 F (B1)
* FROM BOX 1
FOOTBOARD 1 PC.

ASSEMBLY TIPS:

- 1 . Remove hardware from box and sort by size.
- 2 . Please check to see that all hardware and parts are present prior to start of assembly.
- 3 . Please follow attached instructions in the same sequence as numbered to ensure fast & easy assembly.

**Warning !**

- 1 . Don't attempt to repair or modify parts that are broken or defective. Please contact the store immediately.
- 2 . This product is for home use only and not intended for commercial establishment.

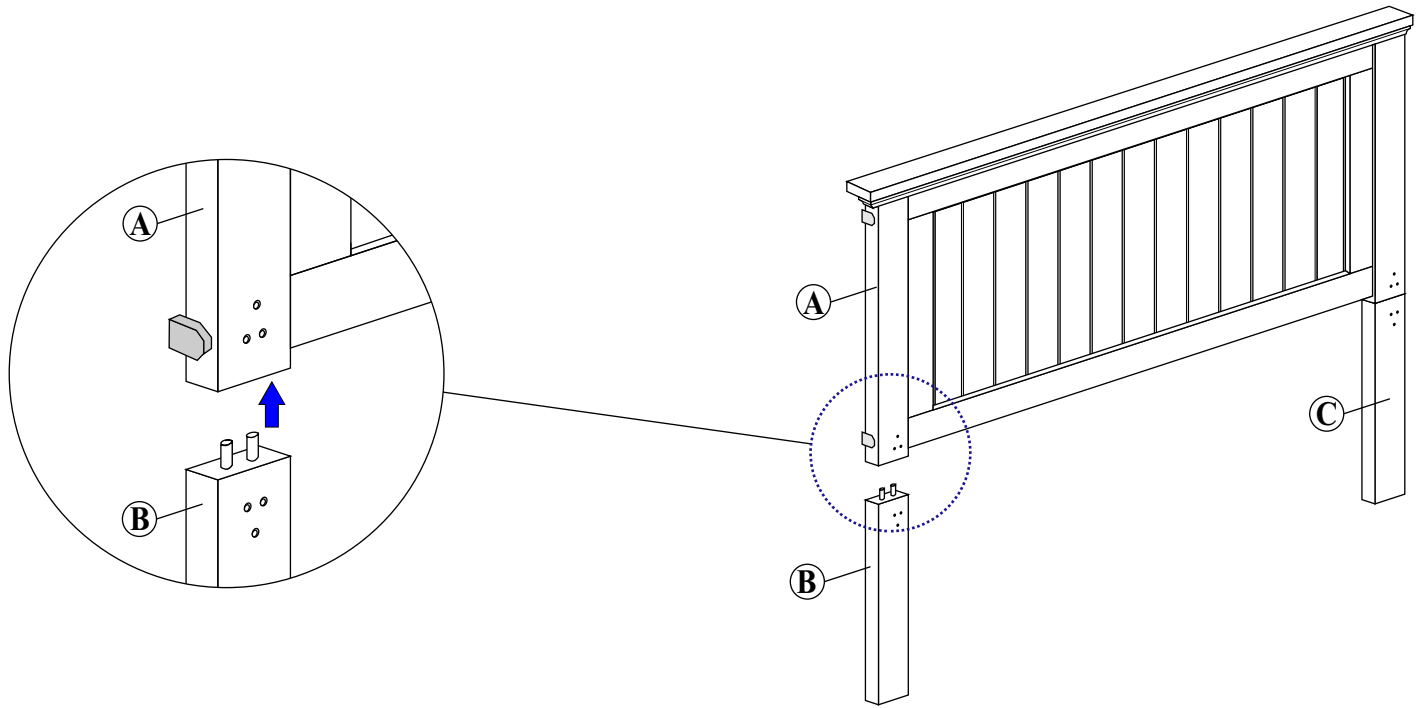
HARDWARE IDENTIFICATION**Z- B2 (BOX 2) - HARDWARE PACK IS LOCATED IN 205261 F (B2)**

1		LONG BOLT	16 PCS.
2		SHORT BOLT	8 PCS.
3		LARGE FLAT WASHER	8 PCS.
4		SMALL FLAT WASHER	12 PCS.
5		LOCK WASHER	12 PCS.
6		SCREW	8 PCS.
7		SMALL ALLEN WRENCH	1 PC.
8		LARGE ALLEN WRENCH	1 PC.

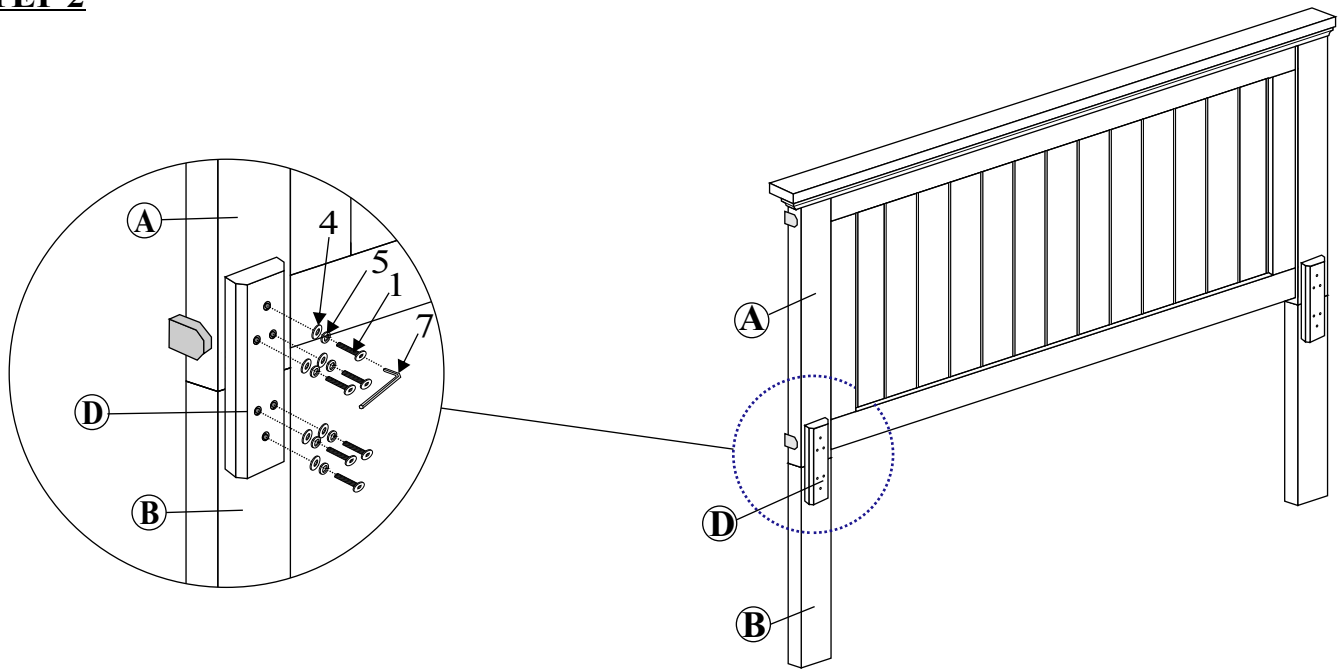
NOTE : PHILLIPS HEAD SCREW DRIVER IS REQUIRED IN THE ASSEMBLY PROCESS; HOWEVER MANUFACTURER DOES NOT PROVIDE THIS ITEM.

205261 F (B1) - BOX 1

STEP 1



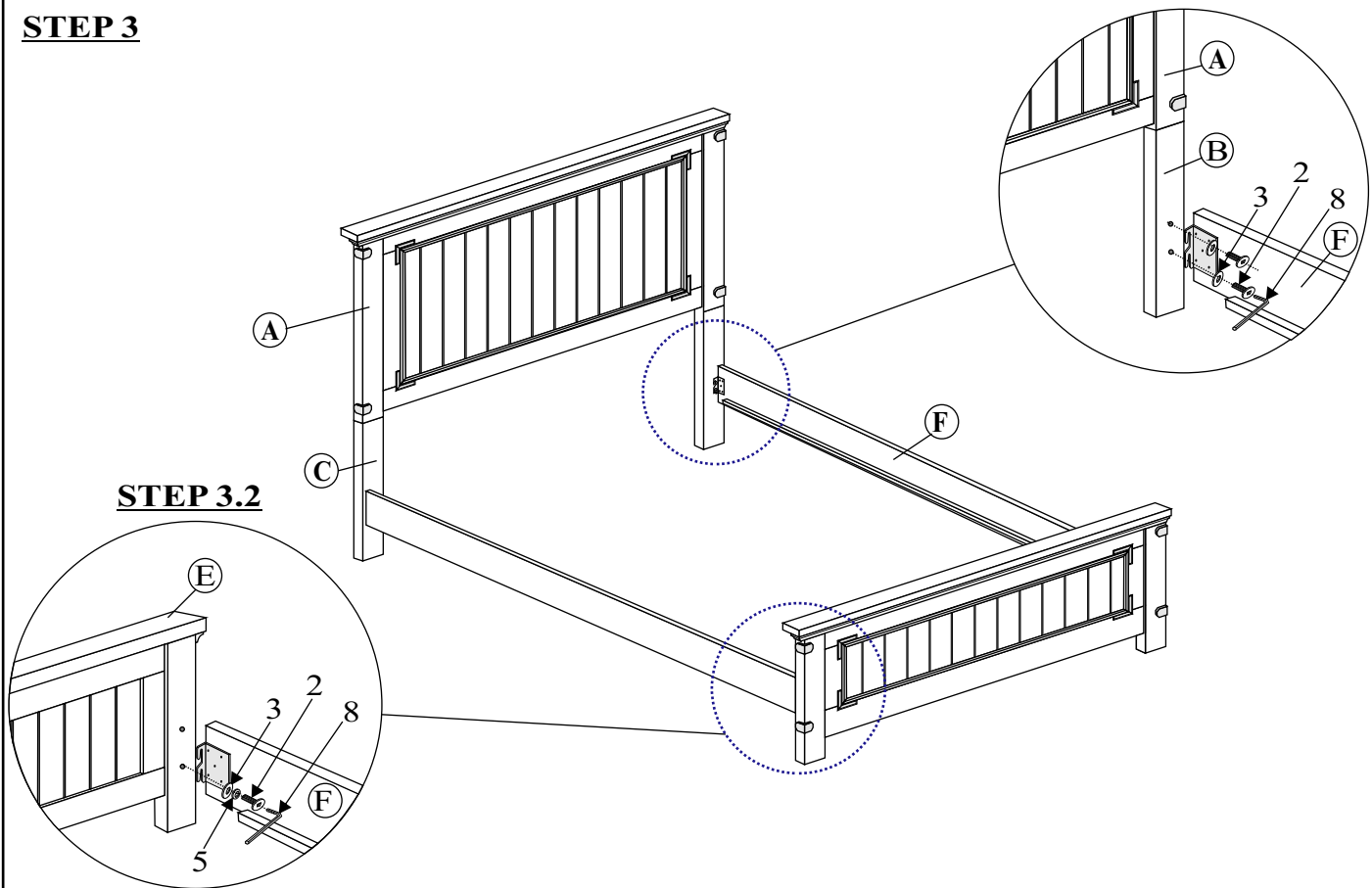
STEP 2



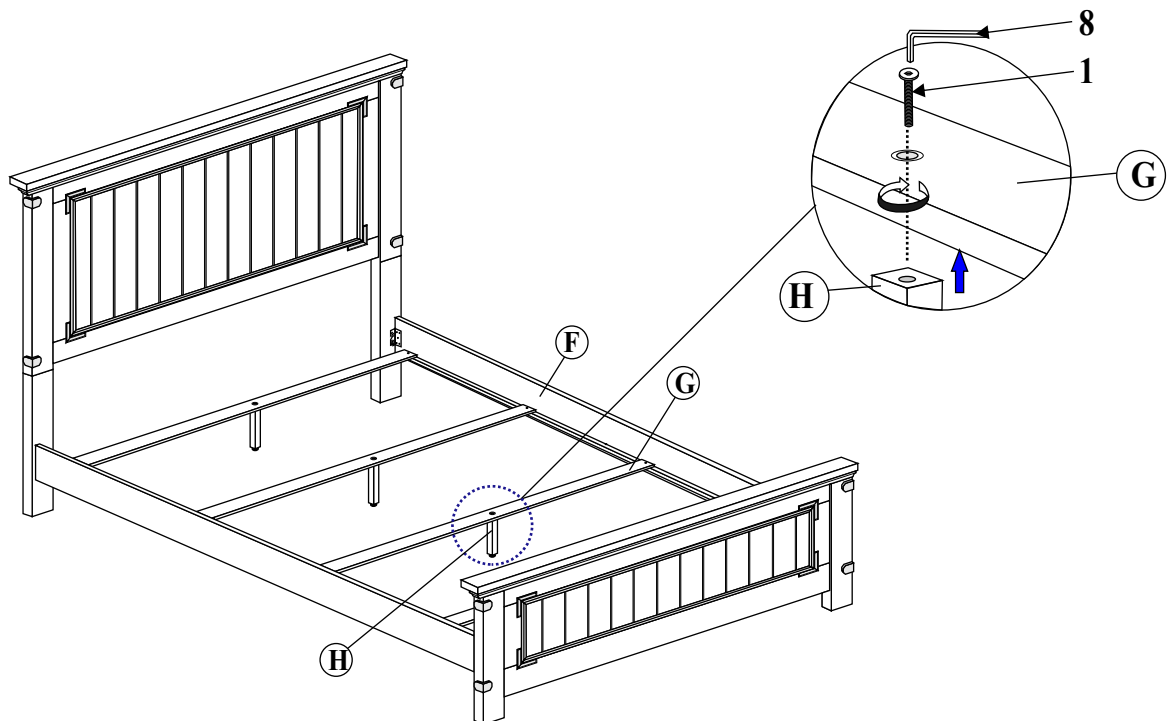
205261 F (B1 & B2) - BOX 1 & BOX 2

STEP 3.1

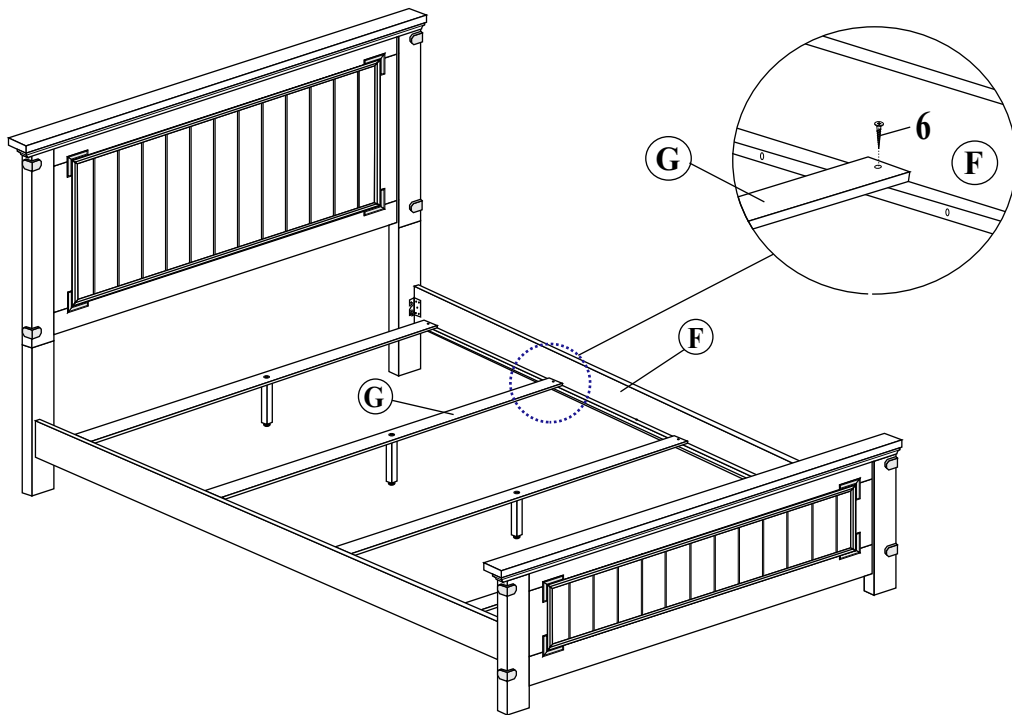
STEP 3



STEP 4



STEP 5



ASSEMBLY COMPLETE

