



# 48-INCH PRO RANGE WALL HOODS

HWHP48 | HERITAGE COLLECTION



## AVAILABLE MODELS

- HWHP4812 48" Heritage Wall Hood 12" Height
- HWHP4818 48" Heritage Wall Hood 18" Height

## FEATURES & BENEFITS

- Professional Style Hood with stainless steel baffles complements Dacor's professional style ranges.
- Seamless Canopy Design enhances kitchen design by minimizing unfinished edges.
- Elegant Control Panel with LED back lit buttons for easy control of lights, fan speed and timer.
- Four Speed Fan provides great performance while minimizing noise.
- Auto ON turns hood on automatically if high temperatures are sensed.
- LED Lighting provides energy efficiency and a bright cooking area.
- Dishwasher Friendly baffles for easy clean-up.
- Clean Filter Indicator reminds the homeowner when it's time for clean-up.

## PRODUCT SPECIFICATIONS

STAINLESS STEEL FINISH

ELECTRICAL REQUIREMENTS: 120N, 60 HZ 9AMP

2 - 600 CFM HIGH PERFORMANCE CENTRIFUGAL INTERNAL BLOWERS

SUPPORTS HORIZONTAL AND VERTICAL EXHAUST

(4) LED LAMPS

## DIMENSIONS & WEIGHT

APPLIANCE DIMENSIONS (W X D) (IN.) 47 7/8" X 24"

## ACCESSORIES (OPTIONAL)

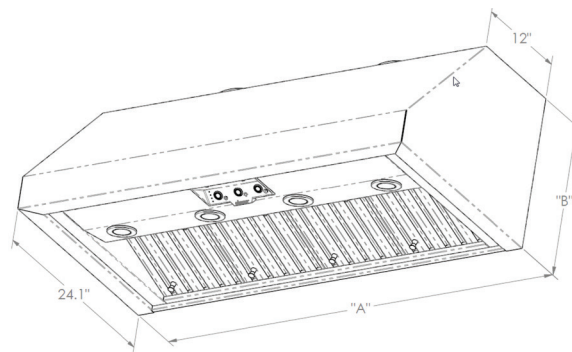
MESH FILTERS	AWHMF2 AWHMF3 AWHMF4
BAFFLE MODEL	AWHBF2 AWHBF3 AWHBF4

## CONTROL PANEL



## APPLIANCE DIMENSIONS

MODEL	DIM "A"	DIM "B"
HWHP4812	47.875"	12"
HWHP4818	47.875"	18"



\*\*Warranty: Limited , parts and labor for one year



# 36-INCH PRO RANGE WALL HOODS

HWHP36 | HERITAGE COLLECTION



HWHP4818 model shown

## AVAILABLE MODELS

- HWHP3612 36" Heritage Wall Hood 12" Height
- HWHP3618 36" Heritage Wall Hood 18" Height

## FEATURES & BENEFITS

- Professional Style Hood with stainless steel baffles complements Dacor's professional style ranges.
- Seamless Canopy Design enhances kitchen design by minimizing unfinished edges.
- Elegant Control Panel with LED back lit buttons for easy control of lights, fan speed and timer.
- Four Speed Fan provides great performance while minimizing noise.
- Auto ON turns hood on automatically if high temperatures are sensed.
- LED Lighting provides energy efficiency and a bright cooking area.
- Dishwasher Friendly baffles for easy clean-up.
- Clean Filter Indicator reminds the homeowner when it's time for clean-up.

\*\*Warranty: Limited , parts and labor for one year

HWHP36 | 36-INCH PRO RANGE WALL HOODS

## PRODUCT SPECIFICATIONS

STAINLESS STEEL FINISH

ELECTRICAL REQUIREMENTS: 120N, 60 HZ 9AMP

600 CFM HIGH PERFORMANCE CENTRIFUGAL INTERNAL BLOWER

SUPPORTS HORIZONTAL AND VERTICAL EXHAUST

(3) LED LAMPS

## DIMENSIONS & WEIGHT

APPLIANCE DIMENSIONS (W X D) (IN.) 35 7/8" X 24"

## ACCESSORIES (OPTIONAL)

BAFFLE MODELS

AWHBF2  
AWHBF3  
AWHBF4

MESH FILTERS

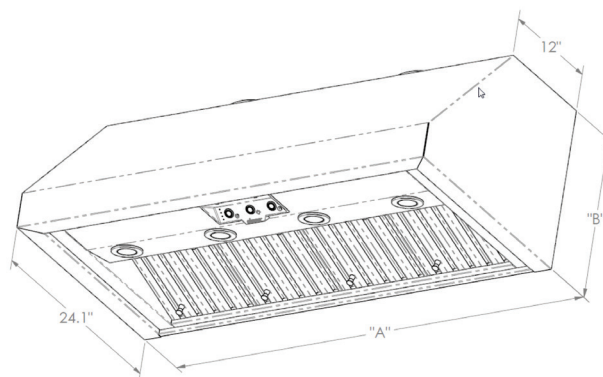
AWHMF2  
AWHMF3  
AWHMF4

## CONTROL PANEL



## APPLIANCE DIMENSIONS

MODEL	DIM "A"	DIM "B"
HWHP3612	35.875"	12"
HWHP3618	35.875"	18"



All tolerances: ± 1/16 (+/-1.6MM) unless otherwise stated.



# 30-INCH PRO RANGE WALL HOODS

HWHP30 | HERITAGE COLLECTION



HWHP4818 model shown

## AVAILABLE MODELS

- HWHP3012 30" Heritage Wall Hood 12" Height
- HWHP3018 30" Heritage Wall Hood 18" Height

## FEATURES & BENEFITS

- Professional Style Hood with stainless steel baffles complements Dacor's professional style ranges.
- Seamless Canopy Design enhances kitchen design by minimizing unfinished edges.
- Elegant Control Panel with LED back lit buttons for easy control of lights, fan speed and timer.
- Four Speed Fan provides great performance while minimizing noise.
- Auto ON turns hood on automatically if high temperatures are sensed.
- LED Lighting provides energy efficiency and a bright cooking area.
- Dishwasher Friendly baffles for easy clean-up.
- Clean Filter Indicator reminds the homeowner when it's time for clean-up.

## PRODUCT SPECIFICATIONS

STAINLESS STEEL FINISH

ELECTRICAL REQUIREMENTS: 120N, 60 HZ 9AMP

600 CFM HIGH PERFORMANCE CENTRIFUGAL INTERNAL BLOWER

SUPPORTS HORIZONTAL AND VERTICAL EXHAUST

(2) LED LAMPS

## DIMENSIONS & WEIGHT

APPLIANCE DIMENSIONS (W X D) (IN.) 29 7/8" X 24"

## ACCESSORIES (OPTIONAL)

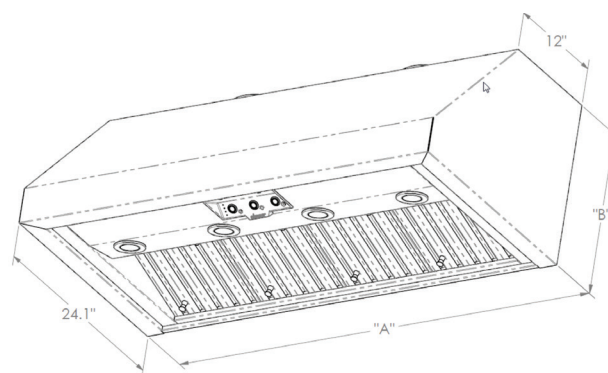
MESH FILTERS AWHMF2

## CONTROL PANEL



## APPLIANCE DIMENSIONS

MODEL	DIM "A"	DIM "B"
HWHP3012	29.875"	12"
HWHP3018	29.875"	18"



All tolerances: ±/ - 1/16 (+/-1.6MM) unless otherwise stated.