

COASTER[®]
FINE FURNITURE

400561F (B1-B3)

FULL PANEL BED

ASSEMBLY INSTRUCTIONS
COASTER FINE FURNITURE



www.coastercompany.com

ASSEMBLY TIPS:

1. Remove Hardware from box and sort by size.
2. Please check to see that all hardware and parts are present prior to start of assembly.
3. Please follow attached instructions in the same sequence as numbered to assure fast & easy assembly.



Warning !

1. Don't attempt to repair or modify parts that are broken or defective. Please contact the store immediately.
2. This product is for home use only and not intended for commercial establishment.

PARTS IDENTIFICATION

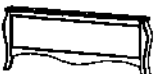
B1 (BOX 1)

A  **HEADBOARD PANEL 1 PC**

B  **LEFT HEADBOARD LEG 1 PC**


C  **RIGHT HEADBOARD LEG 1 PC**


B2 (BOX 2)

D  **FOOTBOARD 1 PC**

B3 (BOX 3)

E  **BED RAIL 2 PCS**

F  **BED SLAT 4 PCS**

G  **BED SLAT SUPPORT 4 PCS WITH LEVELER**

HARDWARE IDENTIFICATION

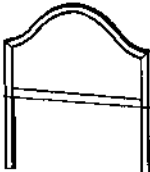
1  **ALLEN WRENCH 1 PC**

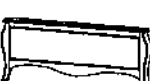
2  **BOLT 8 PCS**

3  **LOCK WASHER 8 PCS**

4  **FLAT WASHER 8 PCS**

5  **FLAT HEAD SCREW 8 PCS**

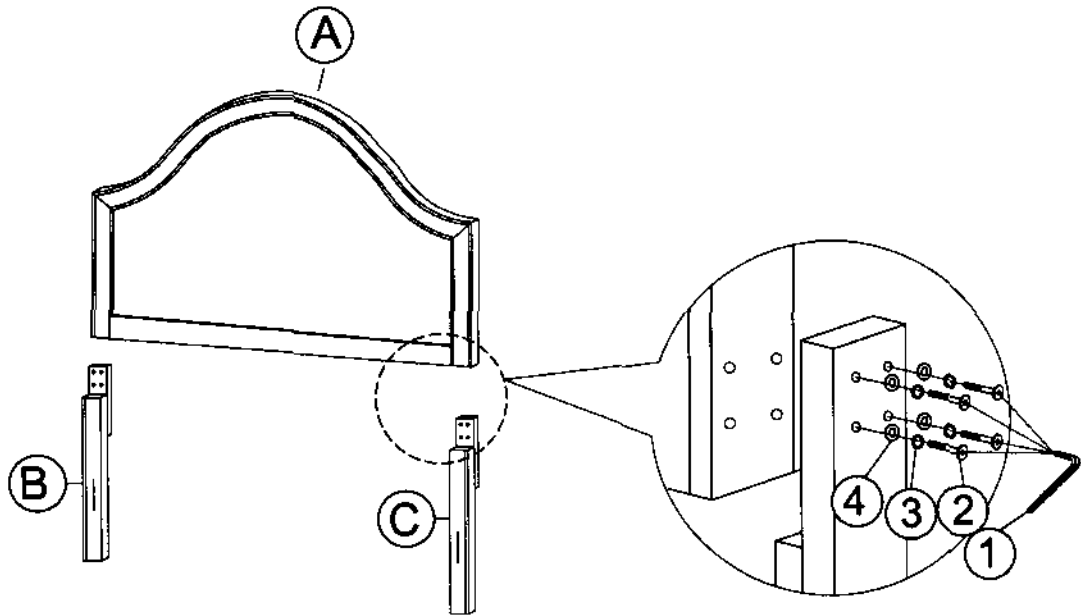
HB  **400561F(B1) *FROM BOX 1 HEADBOARD COMPLETE 1 PC**

D  **400561F(B2) *FROM BOX 2 FOOTBOARD 1 PC**

NOTE : ALL HARDWARE WAS PACKED IN A BAG AND PUT IN HEADBOARD BOX (BOX 1)

STEP 1

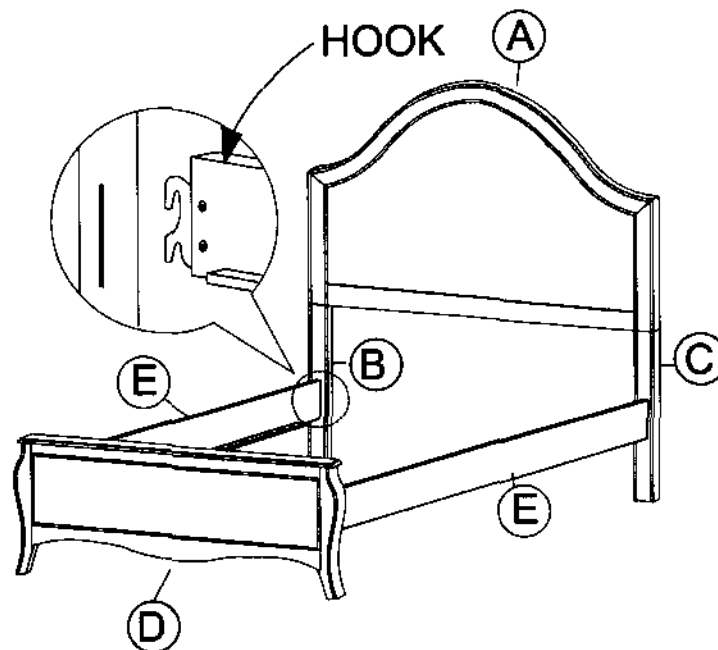
Align and fasten left and right headboard leg to headboard panel using bolt, lock washer and flat washer. Tighten with Allen wrench.



NOTE : IF PURCHASE HEADBOARD ONLY, SKIP BELOW STEPS

STEP 2

Align and hook bed rail to headboard leg and footboard.



STEP 3

3.1 Align and fasten bed slat support with leveler to bed slat by turning bed slat support clockwise until tight.

3.2 Align and fasten bed slat to bed rail using flat head screw. Tighten with screw driver (NOT INCLUDED).

3.3 Adjust leveler to touch the floor.

