

**COASTER**<sup>®</sup>  
FINE FURNITURE

**100770**

**OVAL EXTENSION LEAF TABLE**

---

**ASSEMBLY INSTRUCTIONS**  
**COASTER FINE FURNITURE**



**[www.coastercompany.com](http://www.coastercompany.com)**

**ASSEMBLY TIPS :**

1. Remove hardware from plastic bag and sort by size.
2. Please check to see that all hardware and part are present prior to start of assembly.
3. Please follow attached instruction in the same sequence as numbered to assure fast & easy assembly.



**Warning !**

1. Don't attempt to repair or modify parts that are broken or defective. Please contact the store immediately.
2. This product is for home use only and not intended for commercial establishment.

**PARTS IDENTIFICATION:**

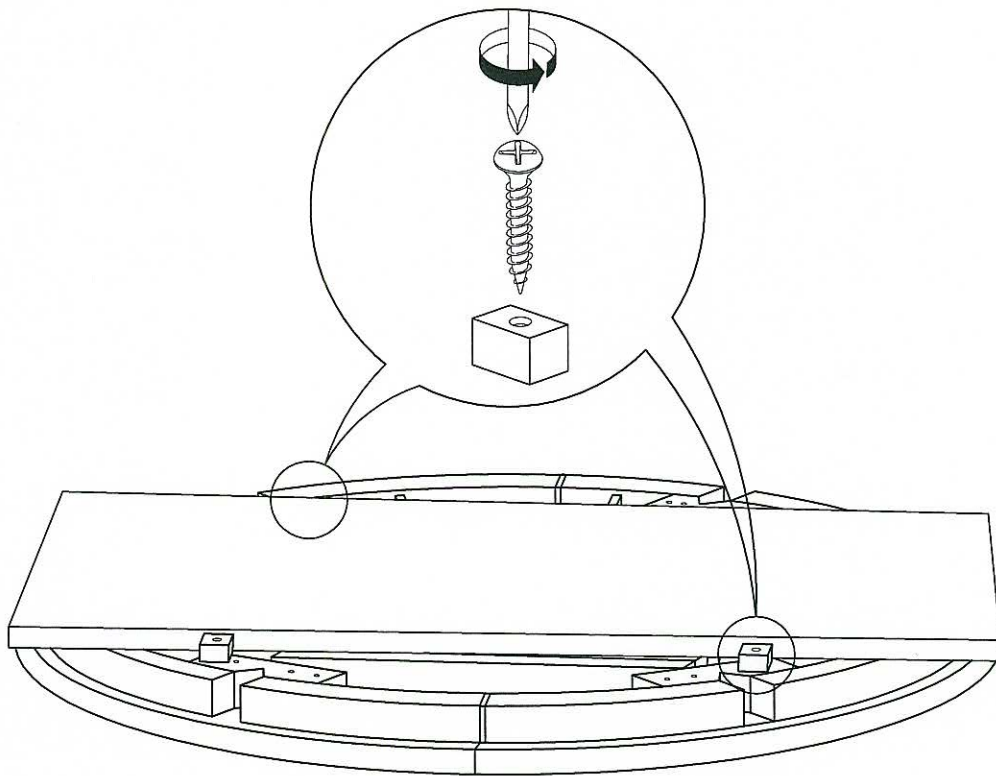
|   |  |                |      |
|---|--|----------------|------|
| A |  | TABLE TOP      | 1PC  |
| B |  | LEG            | 4PCS |
| C |  | EXTENSION LEAF | 1PC  |
| D |  | APRON          | 2PCS |

**HARDWARE IDENTIFICATION:**

|   |  |              |      |
|---|--|--------------|------|
| 1 |  | WRENCH       | 1PC  |
| 2 |  | ALLEN WRENCH | 1PC  |
| 3 |  | HEX BOLT     | 8PCS |
| 4 |  | LOCK WASHER  | 8PCS |
| 5 |  | FLAT WASHER  | 8PCS |
| 6 |  | BOLT         | 4PCS |

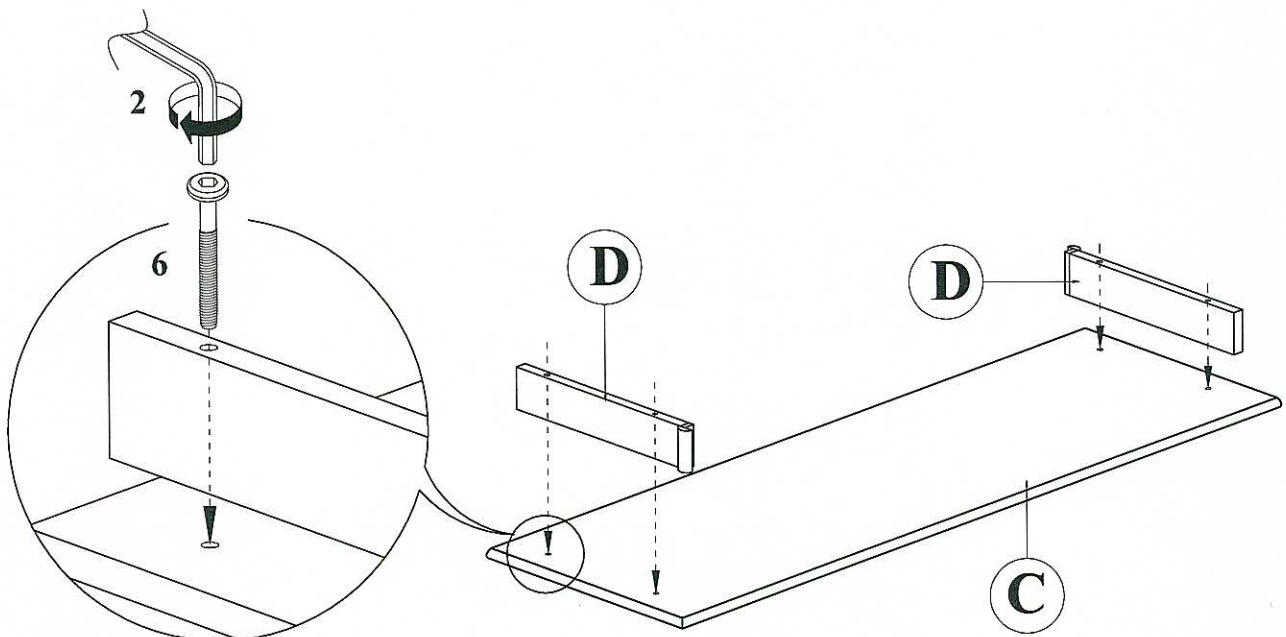
**STEP 1**

Please remove the 4 pieces of wood cleat that used to secure the extension leaf in place before proceed for assembly.



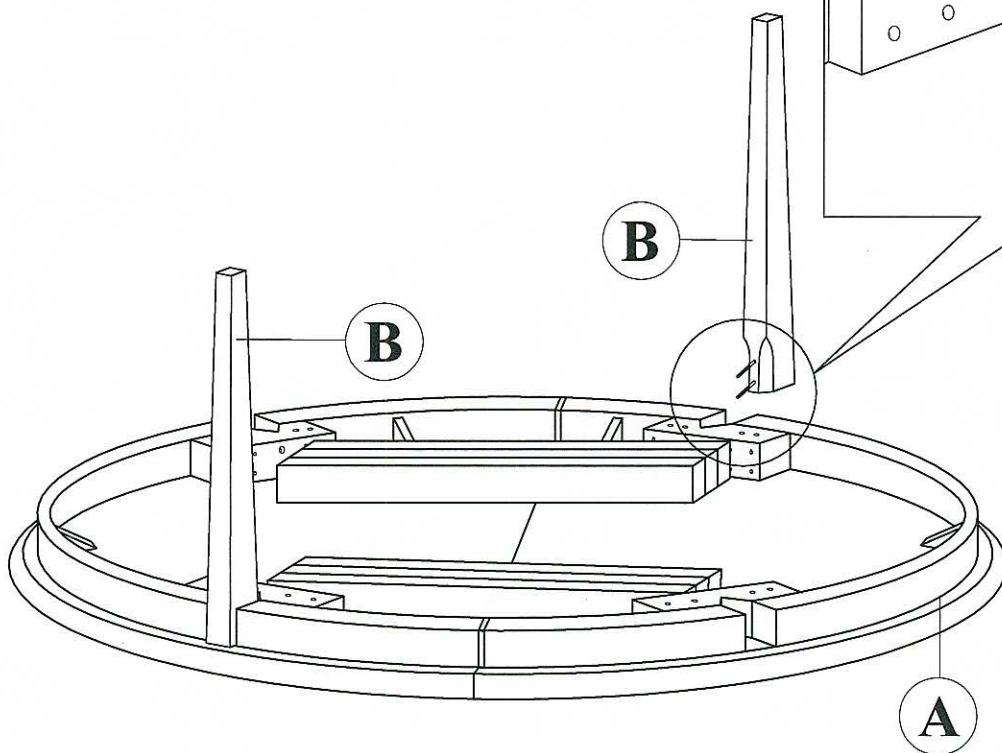
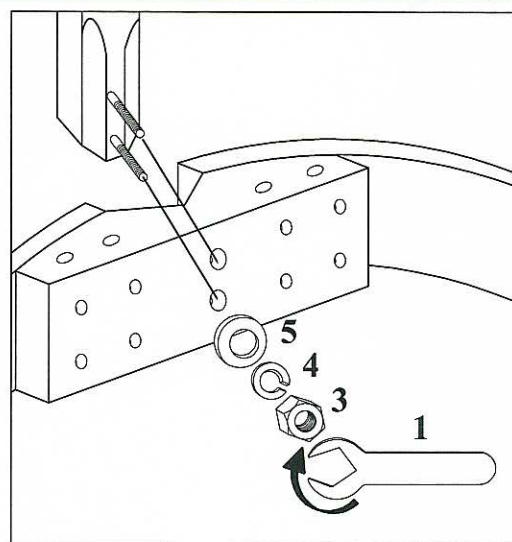
**STEP 2**

Place extension leaf upside down on soft surface, then align and fasten apron to extension leaf using bolt and tighten with Allen wrench.



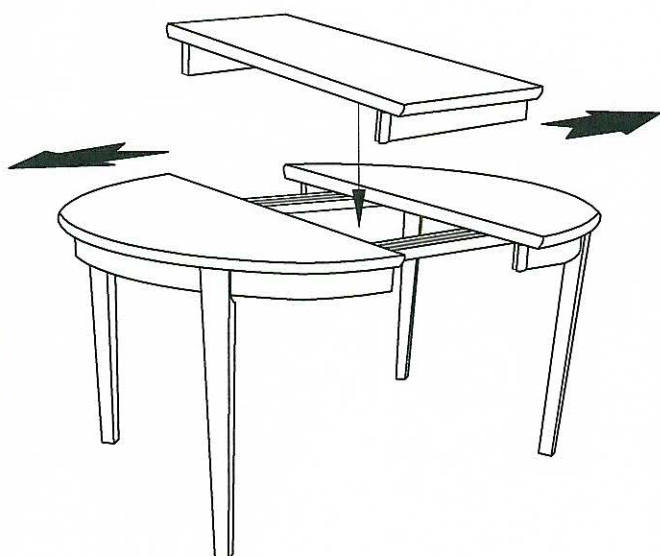
**STEP 3**

Place table top upside down on soft surface, then align and fasten all legs to table top using hex bolt, lock washer and flat washer and tighten with wrench.



**STEP 4**

Flip table over using two people to lift and flip this table, then unlock table and pull apart. Put the extension leaf into place.



**STEP 5**

Push table together making sure pin line up and table close tightly then lock all locks on the underside of the table.

