

COASTER
FINE FURNITURE

202392

NIGHT STAND

ASSEMBLY INSTRUCTIONS
COASTER FINE FURNITURE



www.coastercompany.com

ASSEMBLY TIPS

- 1. Remove hardware from box and sort by size.
- 2. Please check to see that all hardware and parts are present prior to start of assembly.
- 3. Please follow attached instruction in the same sequence as numbered to assure fast & easy assembly.



Warning !

- 1. Don't attempt to repair or modify parts that are broken or defective. Please contact the store immediately.
- 2. This product is for home use only and not intended for commercial establishment.

PARTS IDENTIFICATION

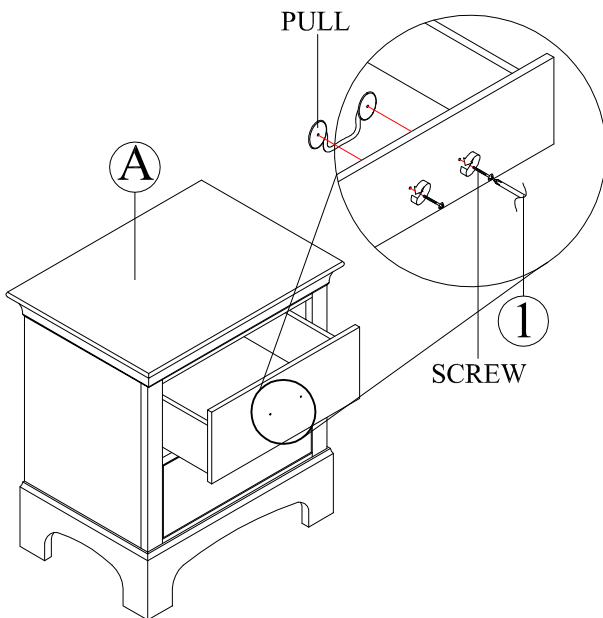


HARDWARE IDENTIFICATION



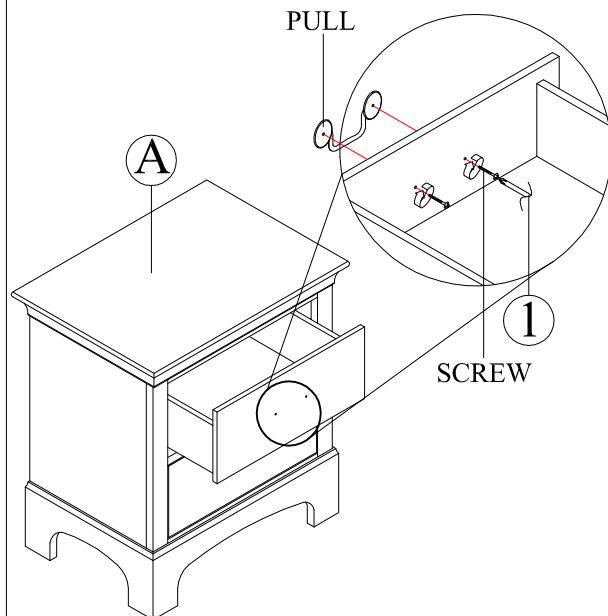
NOTE : MANUFACTURER DOES NOT PROVIDE ITEM 1

STEP 1



Unscrew drawer pull from the back of drawer front using screw driver (not provided)

STEP 2



Align and fasten drawer pull to drawer front using screw and tighten with screw driver (not provided).