

# COASTER<sup>®</sup> 206361Q (B1 - B3)

*FINE FURNITURE* QUEEN SIZE STORAGE BED

---

ASSEMBLY INSTRUCTIONS  
COASTER FINE FURNITURE



[www.coastercompany.com](http://www.coastercompany.com)

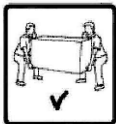
**ASSEMBLY TIPS:**

- 1.Remove hardware from box and sort by size.
- 2.Please check to see that all hardware and parts are present prior to start of assembly.
- 3.Please follow attached instructions in the same sequence as numbered to assure fast & easy assembly.



**Warning!**

- 1.Don't attempt to repair or modify parts that are broken or defective. Please contact the store immediately.
- 2.This product is for home use only and not intended for commercial establishment.



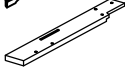
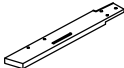


ASSEMBLY TIME




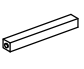



30 MINUTES

**PARTS IDENTIFICATION**

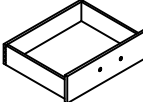
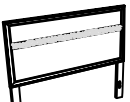

**B1 (BOX 1)**

A		HEADBOARD PANEL	1PC
B		FOOTBOARD	1PC
C		RIGHT HEADBOARD LEG	1PC
D		LEFT HEADBOARD LEG	1PC

**B2 (BOX 2)**

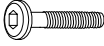



E		BED RAIL	2PCS
F		CONCEAL PANEL	5PCS
G		BED SLAT	5PCS
H		BED SLAT SUPPORT WITH LEVELER	5PCS
I		DRAWER SLAT	1PC
J		DRAWER SUPPORT RAIL	2PCS
K		DRAWER SLAT SUPPORT WITH LEVELER	1PC

**B3 (BOX 3)**





L		DRAWER	2PCS
HB		206361Q (B1) FROM BOX 1 HEADBOARD COMPLETE	1PC
B		206361Q (B1) FROM BOX 1 FOOTBOARD	1PC

**HARDWARE IDENTIFICATION**

**Z - B1 (BOX 1) - Hardware pack is located in 206361Q (B1)**

1		BOLT	6PCS
2		LOCK WASHER	6PCS
3		FLAT WASHER	6PCS
4		ALLEN WRENCH	1PC

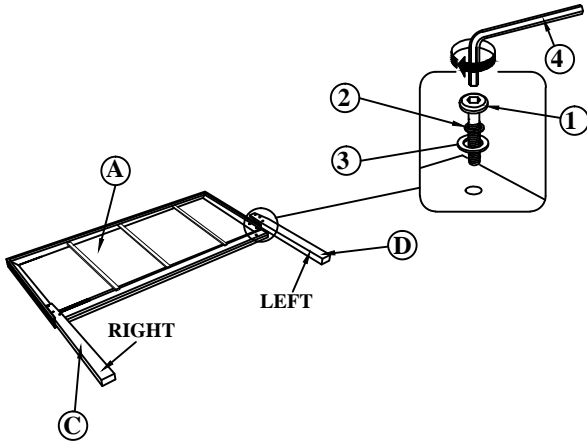
**Z - B2 (BOX 2) - Hardware pack is located in 206361Q (B2)**

5		FLAT HEAD SCREW	14PCS
6		PAN HEAD SCREW	25PCS
7		SHORT BOLT	2PCS
8		LONG BOLT	6PCS
9		LOCK WASHER	2PCS
10		FLAT WASHER	2PCS
11		SMALL ALLEN WRENCH	1PC
12		BIG ALLEN WRENCH	1PC

NOTE: PHILLIPS HEAD SCREW DRIVER IS REQUIRED IN THE ASSEMBLY PROCESS; HOWEVER MANUFACTURER DOES NOT PROVIDE THIS ITEM.

206361Q (B1) - BOX 1

STEP 1 :

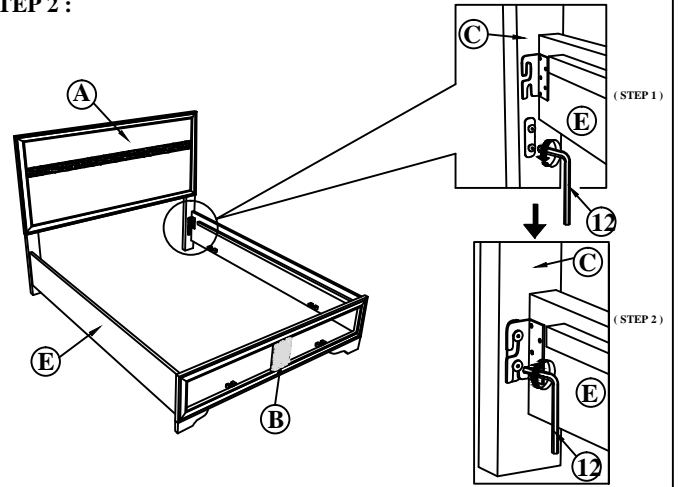


**\*\*BACK VIEW\*\***

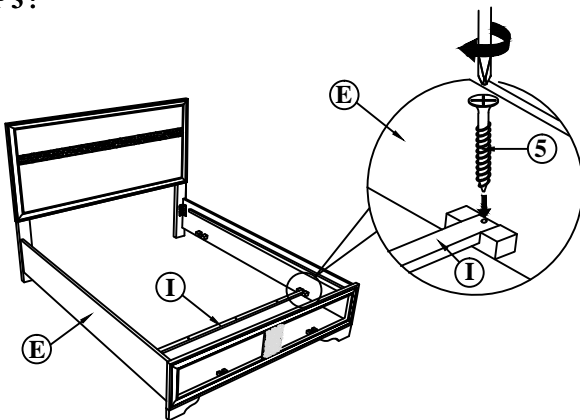
Note: Please take note of the marking sticker (L & R) on the headboard legs.

206361Q (B1&B2) - BOX 1 & BOX 2

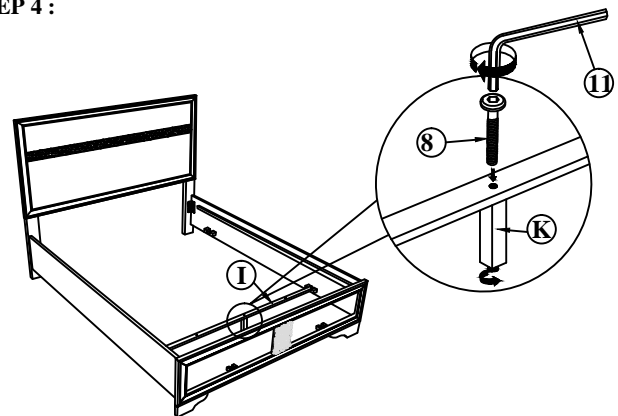
STEP 2 :



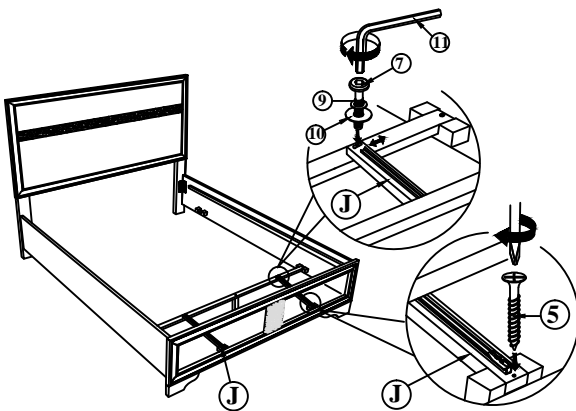
STEP 3 :



STEP 4 :

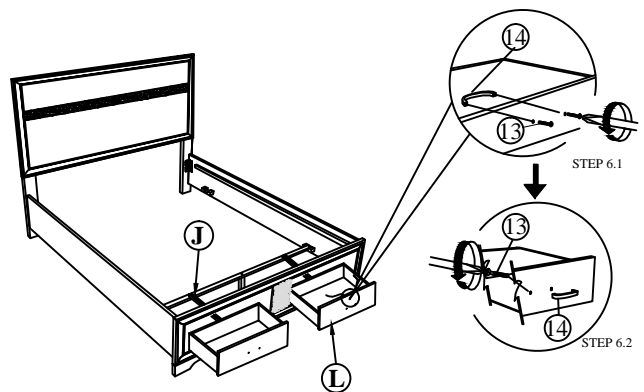


STEP 5 :

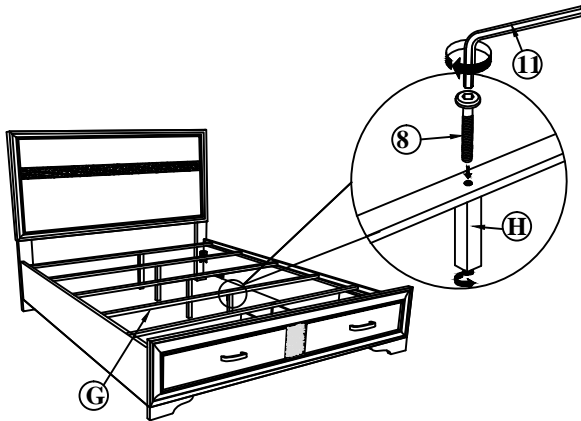


206361Q (B1 - B3) - BOX 1 TO BOX 3

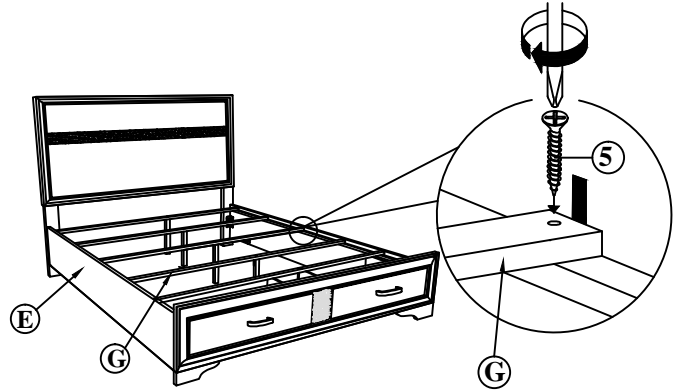
STEP 6 :



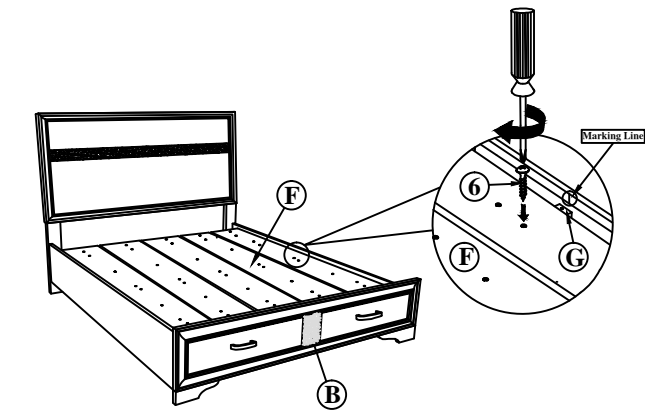
STEP 7 :



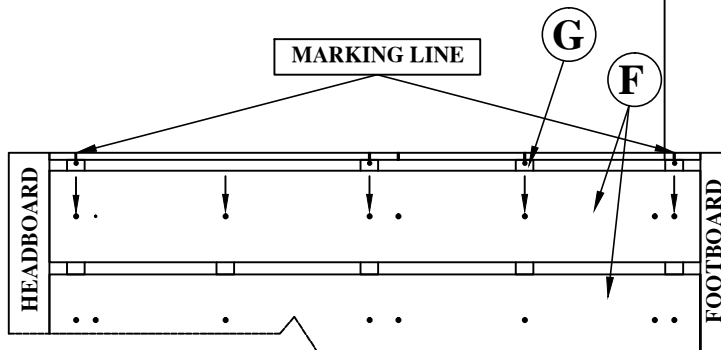
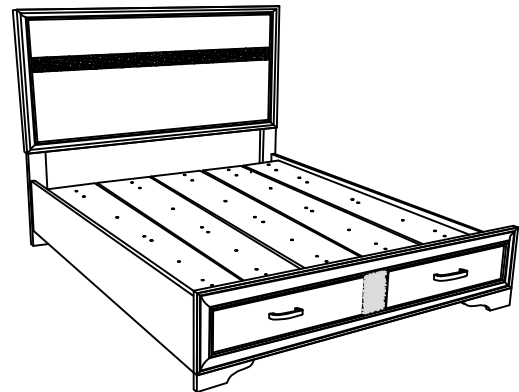
STEP 8 :



STEP 9 :



STEP 10 :



TIGHTEN THE PANHEAD SCREW (6)  
BY FOLLOW THE ARROW AS SHOWN

