

COASTER[®]
FINE FURNITURE

206361KW (B1 - B3)

CALIFORNIA KING SIZE STORAGE BED

ASSEMBLY INSTRUCTIONS
COASTER FINE FURNITURE



www.coastercompany.com

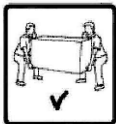
ASSEMBLY TIPS:

- 1.Remove hardware from box and sort by size.
- 2.Please check to see that all hardware and parts are present prior to start of assembly.
- 3.Please follow attached instructions in the same sequence as numbered to assure fast & easy assembly.



Warning!

- 1.Don't attempt to repair or modify parts that are broken or defective. Please contact the store immediately.
- 2.This product is for home use only and not intended for commercial establishment.



ASSEMBLY TIME


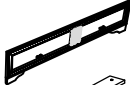
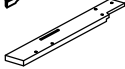
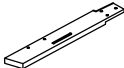
30 MINUTES

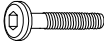



PARTS IDENTIFICATION

HARDWARE IDENTIFICATION

B1 (BOX 1)









Z - B1 (BOX 1) - Hardware pack is located in 206361KW (B1)

A		HEADBOARD PANEL	1PC
B		FOOTBOARD	1PC
C		RIGHT HEADBOARD LEG	1PC
D		LEFT HEADBOARD LEG	1PC

1		BOLT	6PCS
2		LOCK WASHER	6PCS
3		FLAT WASHER	6PCS
4		ALLEN WRENCH	1PC

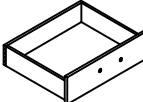
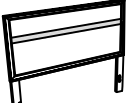

B2 (BOX 2)

Z - B2 (BOX 2) - Hardware pack is located in 206361KW (B2)

E		BED RAIL	2PCS
F		CONCEAL PANEL A	4PCS
G		CONCEAL PANEL B (WITH RAIL TOP)	2PCS
H		BED SLAT	5PCS
I		BED SLAT SUPPORT WITH LEVELER	8PCS
J		DRAWER SLAT	1PC
K		DRAWER SUPPORT RAIL	2PCS
L		DRAWER SLAT SUPPORT WITH LEVELER	1PC

5		FLAT HEAD SCREW	14PCS
6		PAN HEAD SCREW	30PCS
7		SHORT BOLT	2PCS
8		LONG BOLT	9PCS
9		LOCK WASHER	2PCS
10		FLAT WASHER	2PCS
11		SMALL ALLEN WRENCH	1PC
12		BIG ALLEN WRENCH	1PC

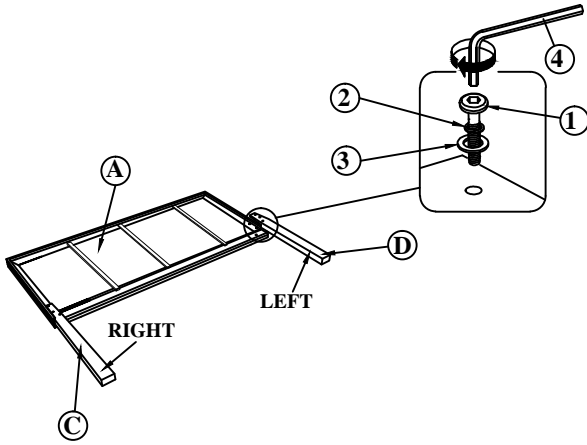
B3 (BOX 3)

M		DRAWER	2PCS
HB		206361KW (B1) FROM BOX 1 HEADBOARD COMPLETE	1PC
B		206361KW (B1) FROM BOX 1 FOOTBOARD	1PC

NOTE: PHILLIPS HEAD SCREW DRIVER IS REQUIRED IN THE ASSEMBLY PROCESS; HOWEVER MANUFACTURER DOES NOT PROVIDE THIS ITEM.

206361KW (B1) - BOX 1

STEP 1 :

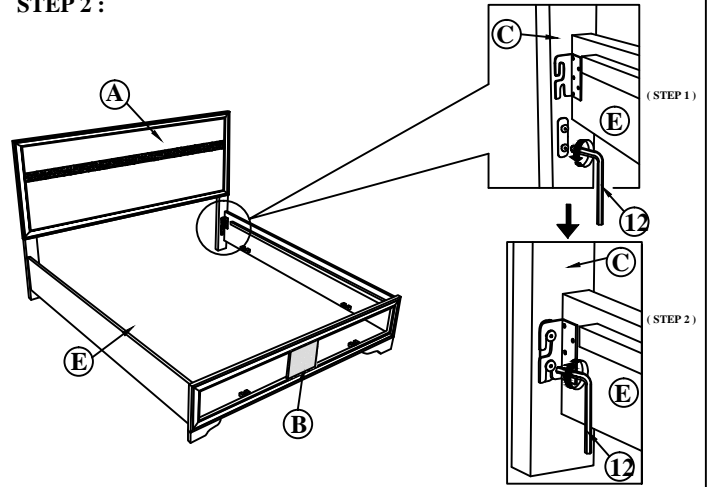


****BACK VIEW****

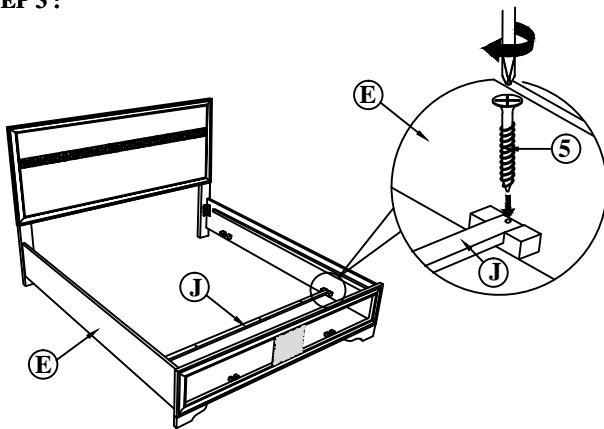
Note: Please take note of the marking sticker (L & R) on the headboard legs.

206361KW (B1&B2) - BOX 1 & BOX 2

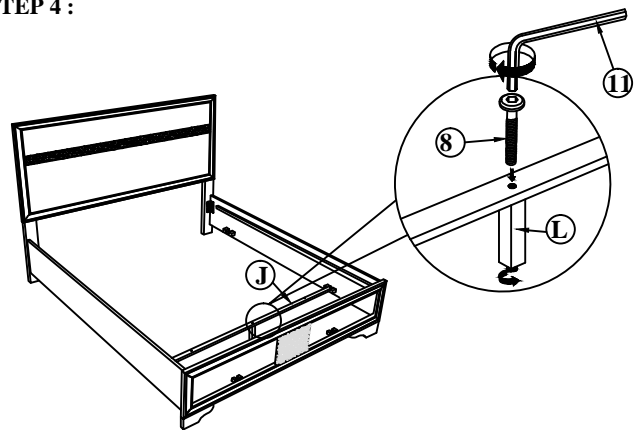
STEP 2 :



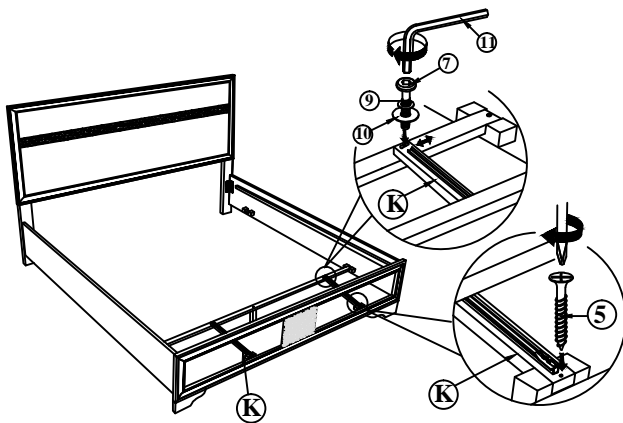
STEP 3 :



STEP 4 :

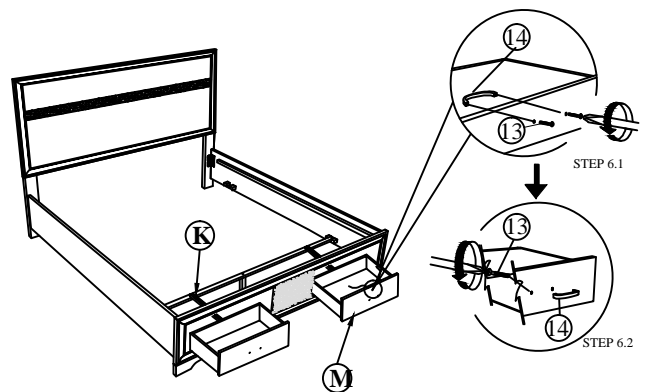


STEP 5 :

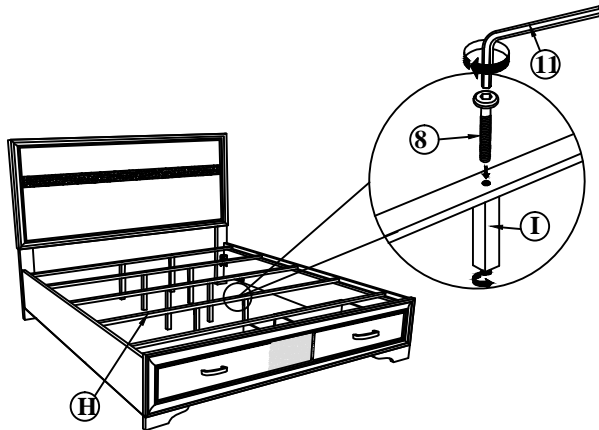


206361KW (B1 - B3) - BOX 1 TO BOX 3

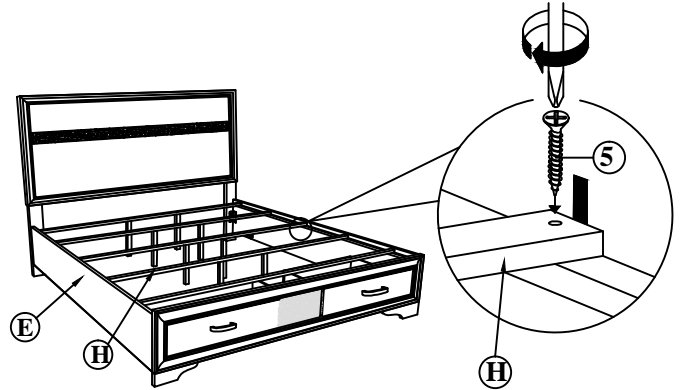
STEP 6 :



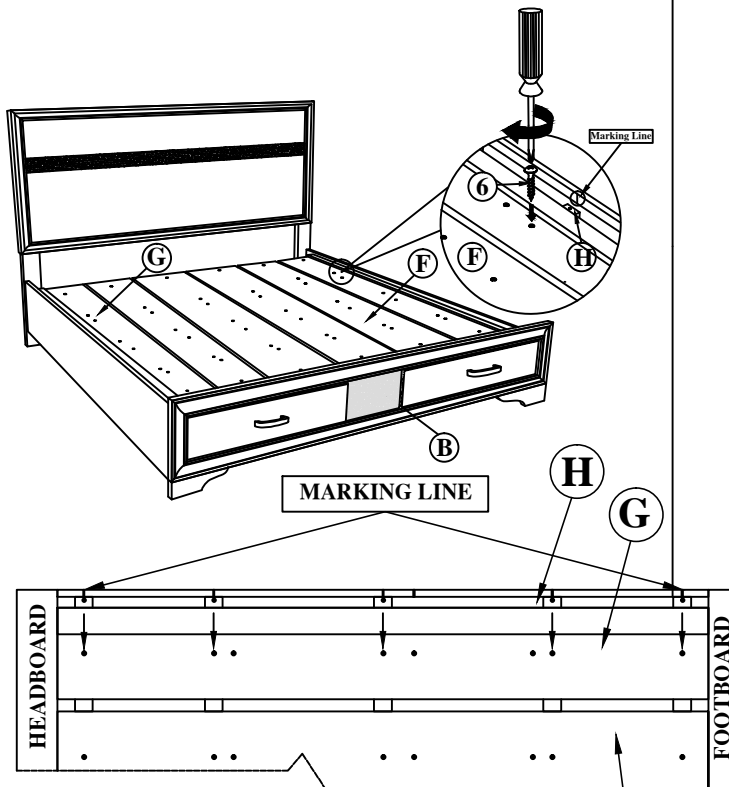
STEP 7 :



STEP 8 :



STEP 9 :



TIGHTEN THE PANHEAD SCREW (6)
BY FOLLOW THE ARROW AS SHOWN

STEP 10 :

