



36-INCH PRO GAS COOKTOP

HPCT365GS | HERITAGE COLLECTION



FEATURES & BENEFITS

- Illumina Burner™ Controls glow Dacor's signature flame-blue to always let you know when a burner is on.
- SimmerSear™ Burners provide up to 18,000 BTUs and achieve ultra-low temperatures for simmering and melting without any scorching.
- Exclusive Bead-Blasted, PermaClean™ Finish on a one-piece sealed spill basin makes cleaning easy and keeps cooktop scratch-free.
- Burner Configuration:
 - 5 Burners (62,000 Total BTUs)
 - 2 SimmerSear Burners (1-18,000 BTU, 1-12,500 BTU)
 - 1 Dual-Stacked Sealed Burner (12,500 BTU)
 - 2 Dual-Stacked Sealed Burners (9,500 BTU) - HPCT365
- Continuous Platform Grates are porcelain coated and allow extra large pots and pans to be moved effortlessly from burner to burner.
- Perma-Flame™ Technology automatically re-ignites a flame for continuous heating and uninterrupted cooking should a burner unexpectedly go out.
- Downdraft Compatible (MRV3615S)

GENERAL PROPERTIES

| | |
|--------|-----------------|
| FINISH | STAINLESS STEEL |
|--------|-----------------|

OPTIONAL ACCESSORIES

| | |
|----------|------|
| WOK RING | AWR4 |
|----------|------|

TECHNICAL INFORMATION

| | |
|-------------------------|-------------------|
| ELECTRICAL REQUIREMENTS | 120VAC/60HZ/15AMP |
|-------------------------|-------------------|

| | |
|----------------------|----------------|
| TOTAL CONNECTED LOAD | 0.25A (0.03KW) |
|----------------------|----------------|

| | |
|--------------------|--|
| GAS CONFIGURATIONS | NG - NATURAL GAS NG / H - NATURAL GAS / HIGH ALTITUDE LP - LIQUID PROPANE LP / H - LIQUID PROPANE / HIGH ALTITUDE |
|--------------------|--|

PRODUCT DIMENSIONS

| | |
|--|----------------|
| APPLIANCE DIMENSIONS (H X W X D) (IN.) | 21" X 36" X 4" |
|--|----------------|

| | |
|----------------|--|
| ALL TOLERANCES | ± 1/16" (± 1.6MM) UNLESS OTHERWISE NOTED |
|----------------|--|

INSTALLATION TYPE

(C)

(D)

(E)

(F)

HPCT365G W/ NO DOWNDRAFT VENT

2 7/8"
(7.3 CM)

19 3/4"
(50.2 CM)

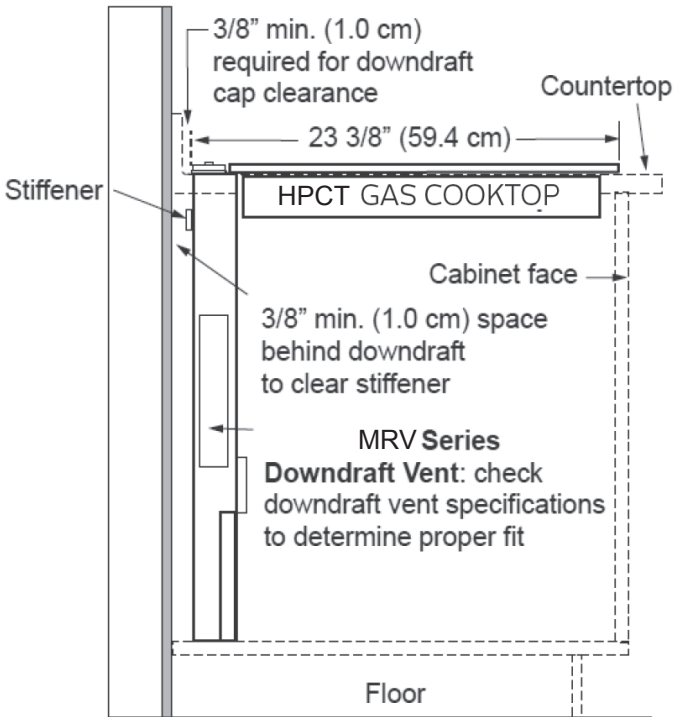
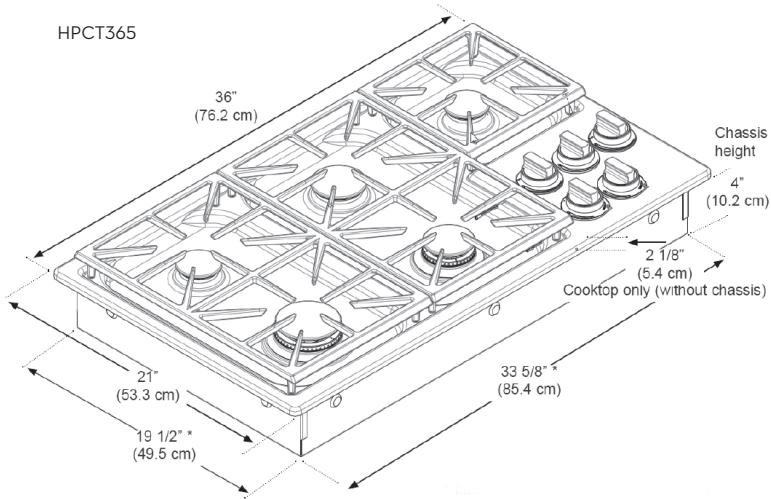
33 3/4"
(85.7 CM)

7"
(17.8 CM)

HPCT365G W/ MRV36155

3/8" (1.0CM)

22 1/2" (57.2CM)



Cooktop with MRV Series Downdraft Vent



30-INCH PRO GAS COOKTOP

HPCT304GS | HERITAGE COLLECTION



FEATURES & BENEFITS

- Illumina Burner™ Controls glow Dacor's signature flame-blue to always let you know when a burner is on.
- SimmerSear™ Burners provide up to 18,000 BTUs and achieve ultra-low temperatures for simmering and melting without any scorching.
- Exclusive Bead-Blasted, PermaClean™ Finish on a one-piece sealed spill basin makes cleaning easy and keeps cooktop scratch-free.
- Burner Configuration: 4 Burners (46,500 Total BTUs)
 - 1 SimmerSear Burner (15,000 BTU)
 - 1 Dual-Stacked Sealed Burner (12,500 BTU)
 - 2 Dual-Stacked Sealed Burners (9,500 BTU) - HPCT304
- Continuous Platform Grates are porcelain coated and allow extra large pots and pans to be moved effortlessly from burner to burner.
- Perma-Flame™ Technology automatically re-ignites a flame for continuous heating and uninterrupted cooking should a burner unexpectedly go out.
- Downdraft Compatible (MRV3015S)

| GENERAL PROPERTIES | |
|--|--|
| FINISH | STAINLESS STEEL |
| OPTIONAL ACCESSORIES | |
| WOK RING | AWR4 |
| TECHNICAL INFORMATION | |
| ELECTRICAL REQUIREMENTS | 120VAC/60HZ/15AMP |
| TOTAL CONNECTED LOAD | 0.25A (0.03KW) |
| GAS CONFIGURATIONS | NG - NATURAL GAS NG / H - NATURAL GAS / HIGH ALTITUDE LP - LIQUID PROPANE LP / H - LIQUID PROPANE / HIGH ALTITUDE |
| PRODUCT DIMENSIONS | |
| APPLIANCE DIMENSIONS (H X W X D) (IN.) | 21" X 30" X 4" |
| ALL TOLERANCES | ± 1/16" (± 1.6MM) UNLESS OTHERWISE NOTED |

INSTALLATION TYPE

(C)

(D)

(E)

(F)

HPCT304G W/ NO DOWNDRAFT VENT

2 7/8"
(7.3 CM)

19 3/4"
(50.2 CM)

27 5/8"
(70.1 CM)

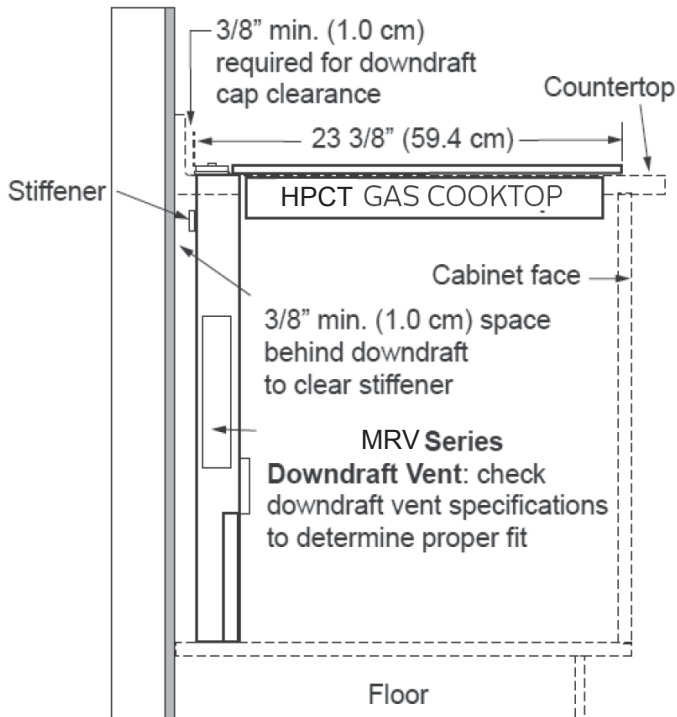
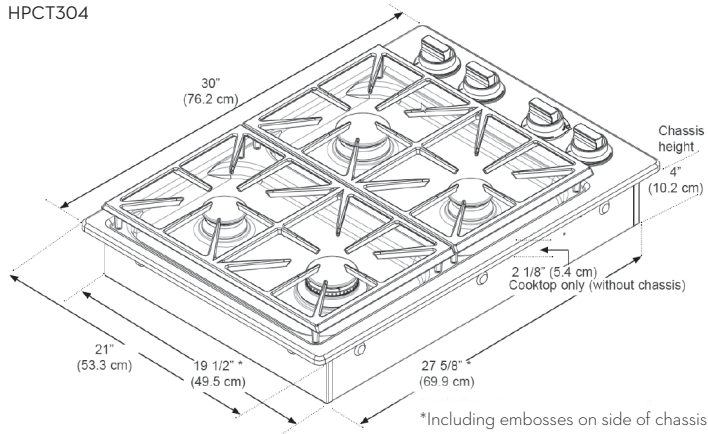
7 1/2"
(19.1 CM)

HPCT304G W/ MRV30155

3/8" (1.0CM)

22 1/2" (57.2CM)

HPCT304



Cooktop with MRV Series Downdraft Vent