

# DYCT304G, DYCT365G



## Discovery® 30" and 36" Wide Drop-in Gas Cooktops

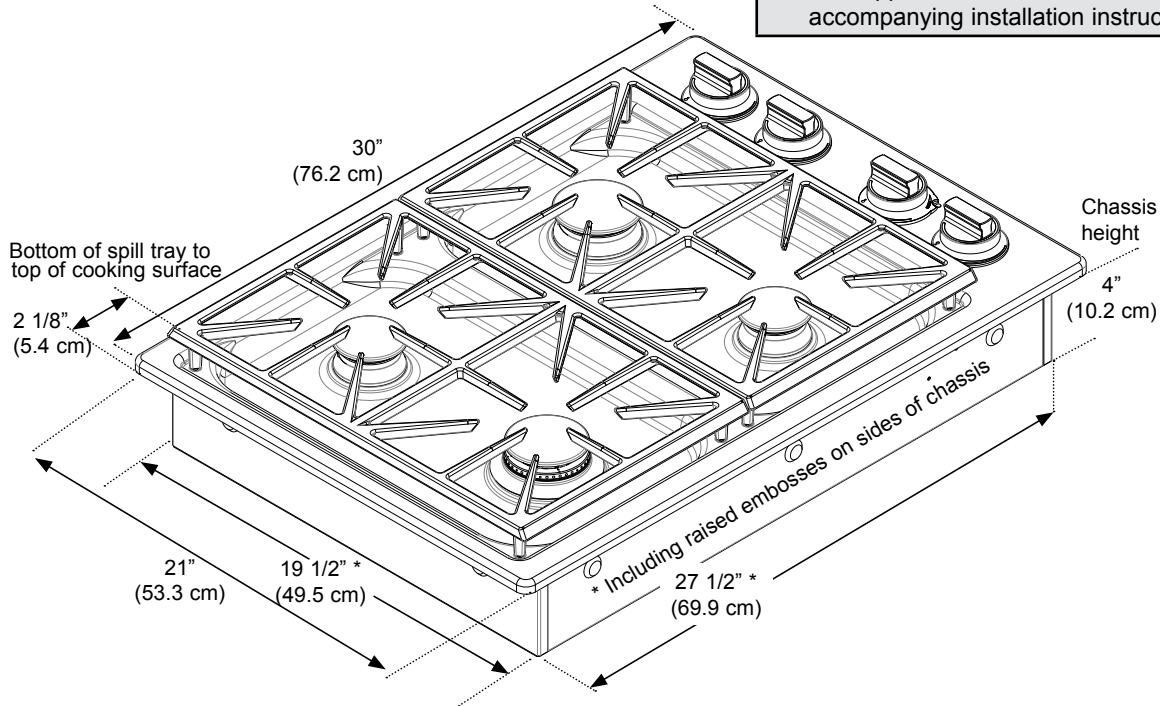
## PLANNING GUIDE

Product tolerances:  $\pm 1/16"$  ( $\pm 1.6$  mm) unless otherwise noted

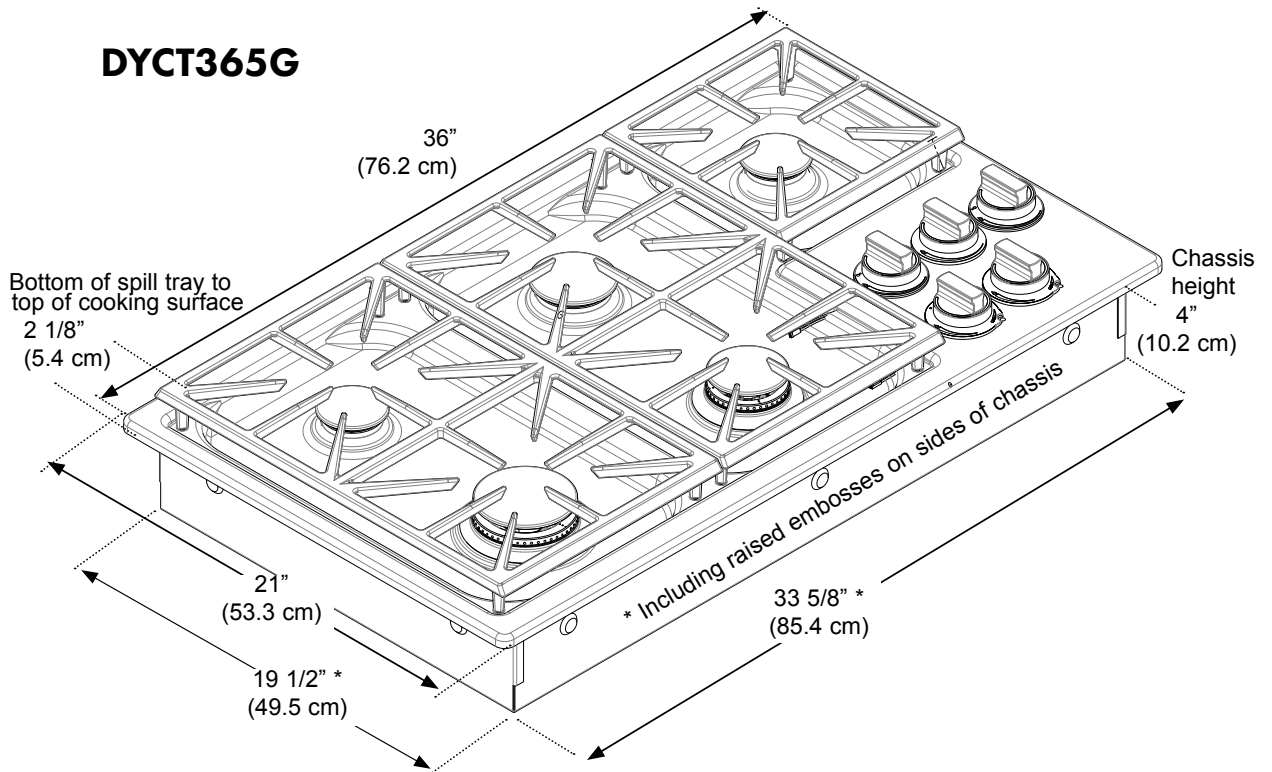
### WARNING

- Observe all governing codes and ordinances during planning and installation.
- Contact your local building department for further information.
- This appliance must be installed in accordance with the accompanying installation instructions.

### DYCT304G



### DYCT365G



# DYCT304G, DYCT365G



## Discovery® 30" and 36" Wide Drop-in Gas Cooktops

## PLANNING GUIDE

### Electrical Requirements

#### WARNING

To prevent an electric shock hazard, the power supply must meet the specifications stated below. It is the owner's responsibility to make sure that the electrical service meets electrical requirements and that the electrical outlet has been properly installed.

- ◇ The cooktop is supplied with a factory installed, 40-inch power cord with a, three-prong, grounding electrical plug. It is connected to the chassis at the bottom right rear corner (see Chassis Bottom Diagram below). It must be connected to a dedicated, grounded three-prong electrical outlet installed by a licensed electrician.
- ◇ The electrical installation, including minimum supply wire size and grounding, must be done in accordance with National Electric Code ANSI/NFPA 70\* and local codes and ordinances. A copy of this standard may be obtained from:  
National Fire Protection Association  
1 Batterymarch Park  
Quincy, Massachusetts 02269-9101
- ◇ The correct voltage, frequency and amperage must be supplied to the electrical outlet according to the product data label located on the bottom of the chassis. See the Gas and Electrical Requirements table on this page for reference.
- ◇ Be certain to locate the electrical outlet so that the power may be easily disconnected if the unit needs service.

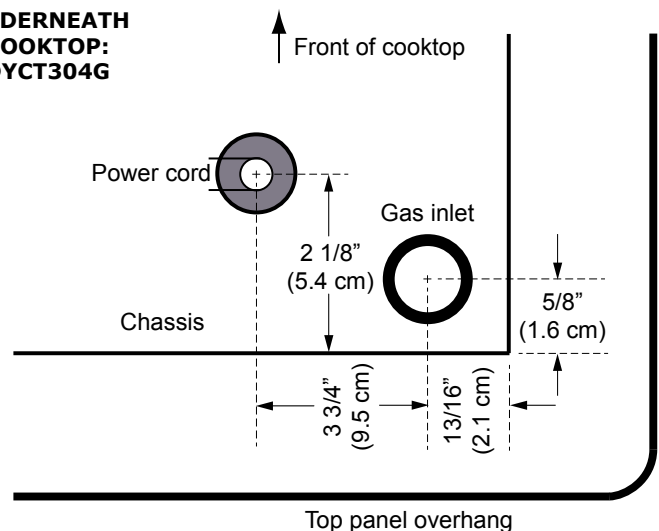
### Gas Supply Requirements

- ◇ Be certain that the cooktop being installed is correct for the gas service being provided (natural gas or LP gas). Also, if operating the cooktop at an altitude above 4000 ft. (1219 m) make sure it is equipped for high altitude operation.
- ◇ Units equipped for LP operation have "LP" in the model number listed on the product data label. See the Chassis Bottom Diagram for label location.
- ◇ Units equipped for high altitude operation have an "H" at the end of the model number listed on the product data label.
- ◇ Check your local building codes for the proper method of installation. In the absence of local codes, this appliance should be installed in accordance with the National Fuel Gas Code ANSI Z223.1/NFPA 54.
- ◇ An external manual shut-off valve must be installed between the gas inlet and the cooktop for the purpose of turning on or shutting off gas to the appliance.
- ◇ The cooktop comes from the factory with a regulator in the shipping carton. Use only the regulator provided. The regulator must be installed in the gas line that runs from the cooktop gas inlet to the gas shut off valve.
- ◇ The regulator inlet accommodates a 3/4" gas line. The inlet to the cooktop itself is equipped with a 3/4" male NPT fitting.
- ◇ The electrical and gas data on this page is for reference only. If the above data does not agree with the product data label, use the data on the product data label.
- ◇ The gas supply pressure for testing the regulator setting shall be at least 1 inch water column (249 Pa) above the specified manifold pressure.

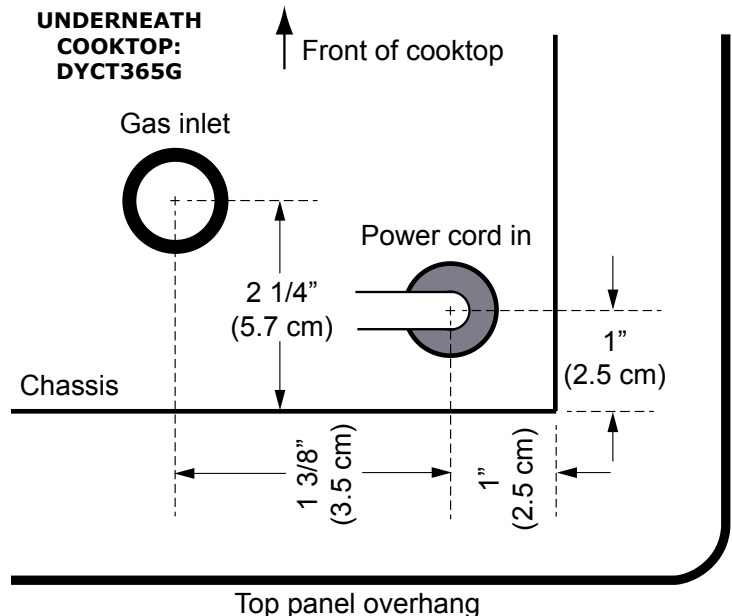
MODEL	DYCT304G/NG DYCT365G/NG	DYCT304G/LP DYCT365G/LP
Gas type	Natural	LPG
Manifold pressure	5" Water column	10" Water column
Min. gas supply Pressure**	6" Water column	11" Water column
Max. gas supply pressure	1/2 psi	1/2 psi
Total connected load	0.25 Amp. (0.03 kW)	0.25 Amp. (0.03 kW)
Circuit requirement	120 Vac, 60 Hz, 15 Amp.	120 Vac, 60 Hz, 15 Amp.

### GAS AND ELECTRICAL REQUIREMENTS

#### UNDERNEATH COOKTOP: DYCT304G



#### UNDERNEATH COOKTOP: DYCT365G



# DYCT304G, DYCT365G



## Discovery® 30" and 36" Wide Drop-in Gas Cooktops

## PLANNING GUIDE

### Cabinet and Countertop Layout



- To reduce the risk of personal injury caused by reaching over a hot appliance, avoid locating cabinet storage space directly above the cooktop.
- Failure to meet or exceed the maximum and minimum dimensions/clearances stated in these instructions may result in a fire hazard.
- Follow the countertop manufacturer's instructions regarding the minimum corner radius, use of heat reflective tape, reinforcement of corners, etc.

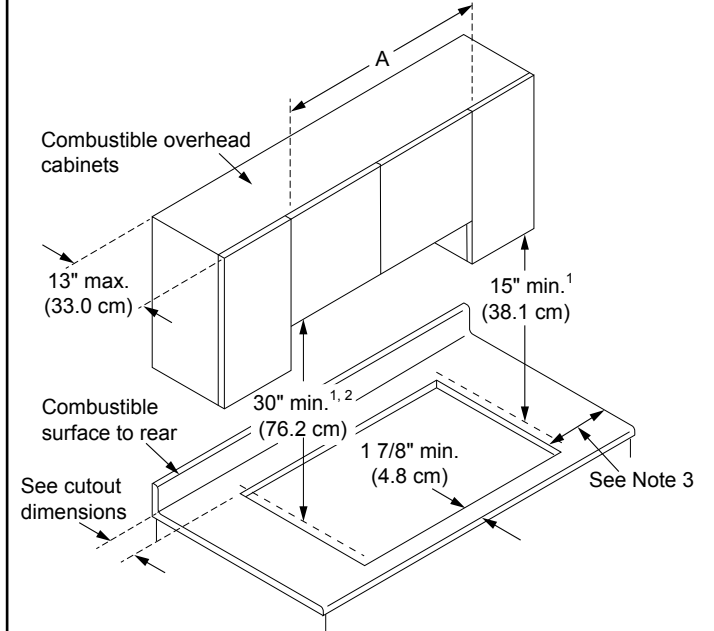
- ◇ Carefully check the location where the cooktop will be installed. For best performance, the cooktop should be placed away from drafts that may be caused by doors, windows, and heating and air conditioning vents.
- ◇ This appliance is to be used in conjunction with a suitable vent hood or approved Dacor downdraft vent.

### Minimum Required Clearances Around the Cooktop

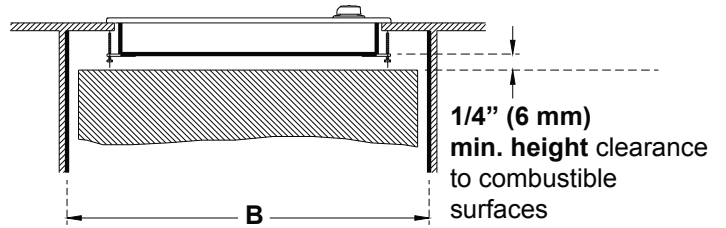
Refer to the following illustrations and notes for clearance allowances.

Model	(A) Minimum	(A) Recommended
DYCT304G	30" (76.2 cm)	36" (91.4 cm)
DYCT365G	36" (91.4 cm)	42" (106.7 cm)

All tolerances: +1/16" -0" unless otherwise noted.



<sup>1</sup> Measured from the cooking surface (top of cooking grate).  
<sup>2</sup> If installing an overhead vent hood, check the hood installation instructions for the minimum required clearance specifications and requirements.  
<sup>3</sup> Not required if the side cabinets are at least 6 inches or more from both sides of the cooktop.



### Underneath Cabinet Dimensions

All tolerances: +1/16" -0" unless otherwise noted.

Model	(B) Minimum to allow for clearance of hold-down brackets
DYCT304G	29 in (73.7 cm)
DYCT365G	35 1/4 in (89.5 cm)

- ◇ Allow a minimum 1/4" (6 mm) clearance between the bottom of the cooktop chassis and all combustible surfaces, including the upper edge of a drawer inside the countertop cabinet below the cooktop.
- ◇ The gas supply piping, gas shut-off valve, and the electrical outlet must be located so they do not interfere with the cooktop after it is installed. If installing another appliance in the cabinet below, allow for the routing of gas and electrical service behind it.

### The installation must allow for the following:

- ◇ Access to the gas shut-off valve and regulator when the unit is installed.
- ◇ The 40-inch (101.6 cm) power cord must be able to reach an electrical outlet, and that electrical outlet must be easily accessible after the cooktop is installed.
- ◇ Access to the underside of the cooktop for service and inspection purposes.
- ◇ Clearance inside the counter to allow for correct installation of the hold-down brackets.

To allow underneath access to the utilities and cooktop bottom, a fixed shelf should *not* be installed below the cooktop. See the following pages for countertop cutout dimensions.

### Downdraft Compatibility

If installing the cooktop with a downdraft, use only the approved Dacor downdraft model numbers below:

Cooktop Models	Approved Downdraft Models
DYCT304G	ERV3015, PRV30, or RV30
DYCT365G	ERV3615, PRV36, or RV36

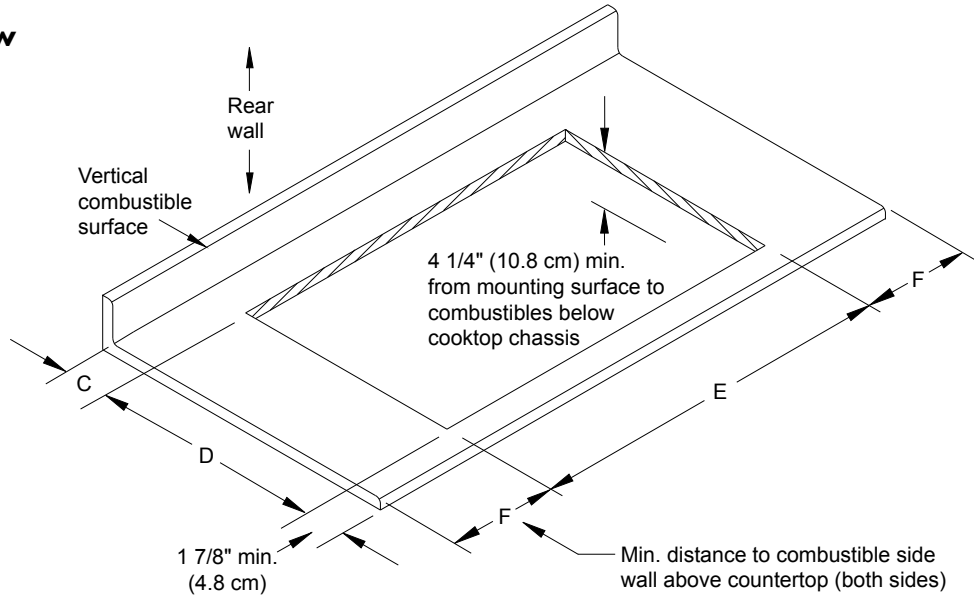
# DYCT304G, DYCT365G



## Discovery® 30" and 36" Wide Drop-in Gas Cooktops

## PLANNING GUIDE

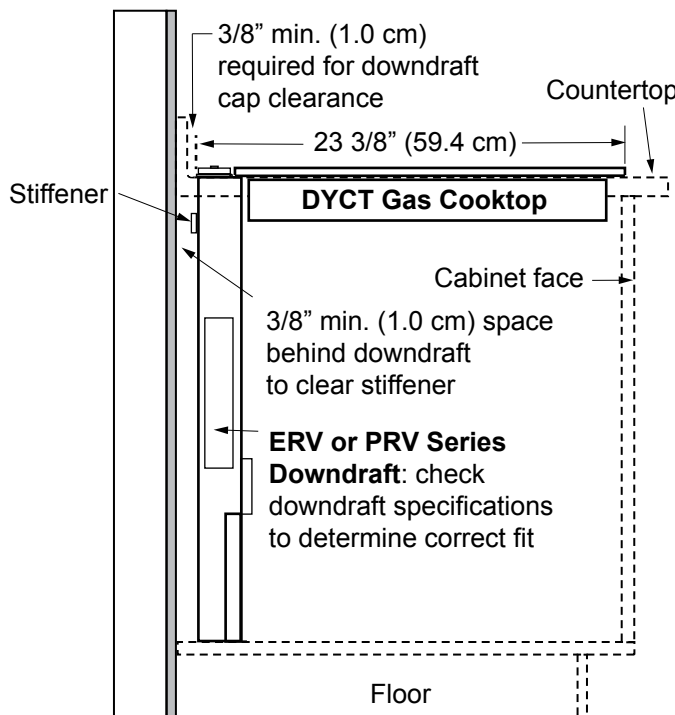
### Countertop Cutout View



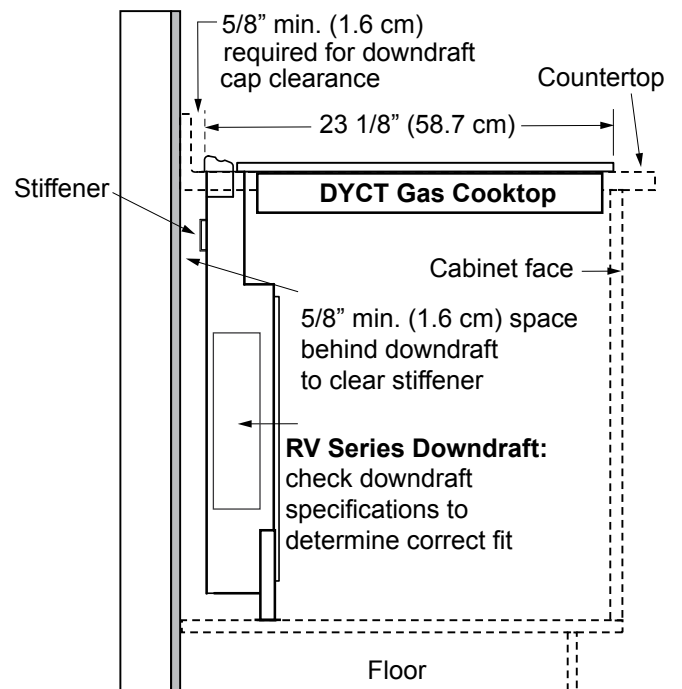
### Countertop Cutout Dimensions

Configuration Type	(C) Minimum	(D)	(E)	(F)
DYCT304G with no downdraft	2 7/8" (7.3 cm)	19 3/4" (50.2 cm)	27 5/8" (70.1 cm)	7 1/2" (19.1 cm)
DYCT304G with ERV3015 or PRV30	3/8" (1.0 cm)	22 1/2" (57.2 cm)		
DYCT304G with RV30	5/8" (1.6 cm)	22 1/4" (56.5 cm)		
DYCT365G with no downdraft	2 7/8" (7.3 cm)	19 3/4" (50.2 cm)	33 3/4" (85.7 cm)	7" (17.8 cm)
DYCT365G with ERV3615 or PRV36	3/8" (1.0 cm)	22 1/2" (57.2 cm)		
DYCT365G with RV36	5/8" (1.6 cm)	22 1/4" (56.5 cm)		

All tolerances +1/16" -0" (+1.6 mm) unless otherwise noted.



**Cooktop with Downdraft: ERV/PRV Series**



**Cooktop with Downdraft: RV Series**