



30-INCH DOUBLE WALL OVEN

HWO230 | HERITAGE COLLECTION



AVAILABLE MODELS

HWO230ES	Heritage 30" Double Wall Oven - Stainless Steel with Epicure Style Handle
HWO230PS	Heritage 30" Double Wall Oven - Stainless Steel with Pro Style Handle
HWO230FS	Heritage 30" Double Wall Oven - Stainless Steel with Flush Handle
HWO230EB	Heritage 30" Double Wall Oven - Black Glass with Epicure Style Black Handle
HWO230PB	Heritage 30" Double Wall Oven - Black Glass with Pro Style Stainless Steel Handle
HWO230EC	Heritage 30" Double Wall Oven - DacorMatch Color System with Epicure Style Color Matching Handle
HWO230PC	Heritage 30" Double Wall Oven - DacorMatch Color System with Pro Style Color Matching Handle (End Caps in Stainless Steel)
HWO230FC	Heritage 30" Double Wall Oven - DacorMatch Color System with Flush Handle

FEATURES & BENEFITS

- Four-Part Pure Convection System provides superior heat distribution, and eliminates flavor transfer.
- RapidHeat™ Broil Element uses an 8-pass radiant ribbon element to broil food quickly and evenly.
- 4.8 cu. ft. oven capacity.
- 7 rack positions for multi-rack cooking.
- SoftShut™ doors.
- GlideRacks
- Self-Cleaning mode.
- Sabbath mode.

ACCESSORIES (INCLUDED)

GLIDERACK™	2 (UPPER) / 2 (LOWER)
STANDARD RACK	1 (UPPER) / 1 (LOWER)
TEMPERATURE PROBE	1

ACCESSORIES (OPTIONAL)

COOKIE SHEETS (SET OF 3)	ACSRO303
BROIL-ROASTING PAN SET	AORPVR
PIZZA STONE	ABS16

GENERAL PROPERTIES

COOKING MODES BOTH CAVITIES	PURE CONVECTION™ CONVECTION BAKE CONVECTION BROIL CONVECTION ROAST BAKE BROIL
--------------------------------	--

ADDITIONAL FEATURES

CLEANING TYPE	SELF CLEAN & GREENCLEAN™
RACK POSITIONS	7
CONVECTION TYPE	PURE CONVECTION™
LIGHTING	HALOGEN

OVEN PERFORMANCE

BAKE ELEMENT	3,000W - 8 PASS
BROIL ELEMENT	3,500W - 8 PASS
CONVECTION ELEMENT	2,200W

CONTROL FEATURES

DELAY TIME COOKING	YES
TIMED COOKING	YES
AUTOMATIC HOLD	YES
10-KEY PAD	YES
CLOCK	YES
TWO TIMERS	YES
SABBATH MODE	YES
CHILD LOCK	YES

ADDITIONAL MODES

KEEP WARM	YES
PROOF	YES
DEHYDRATE	YES
TEMPERATURE PROBE	YES

TECHNICAL DETAILS

CIRCUIT BREAKER (A)	50
VOLTS (V)	240
FREQUENCY (HZ)	60
ENERGY SOURCE	ELECTRIC

DIMENSIONS & WEIGHT

APPLIANCE DIMENSIONS (H X W X D) (IN.)	50 1/8" X 29 7/8" X 24"
REQUIRED CUTOUT SIZE (H X W X D) (IN.)	49 1/8" X 25 5/8" X 24"
OVEN CAPACITY (CUBIC FEET)	4.8

WARRANTY

LIMITED, PARTS AND LABOR	1 YEAR
--------------------------	--------

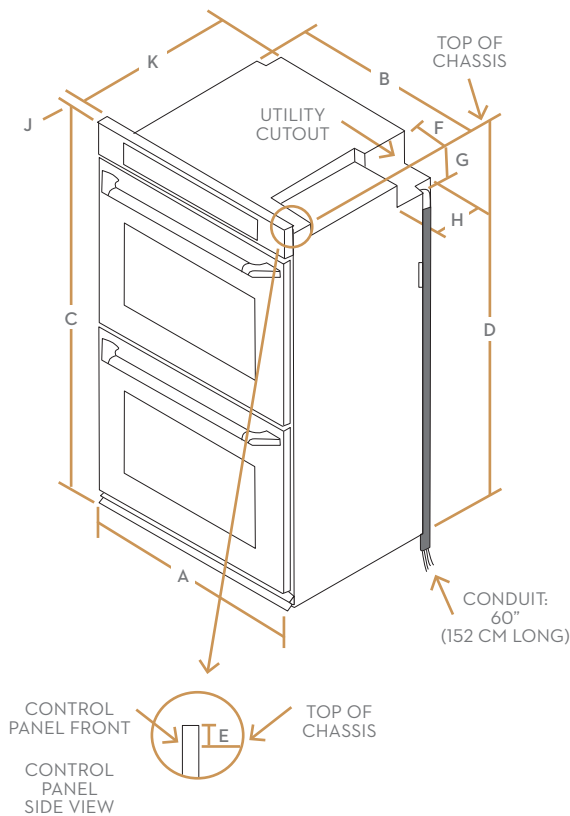
dacor

30-INCH DOUBLE WALL OVEN

APPLIANCE DIMENSIONS

30"

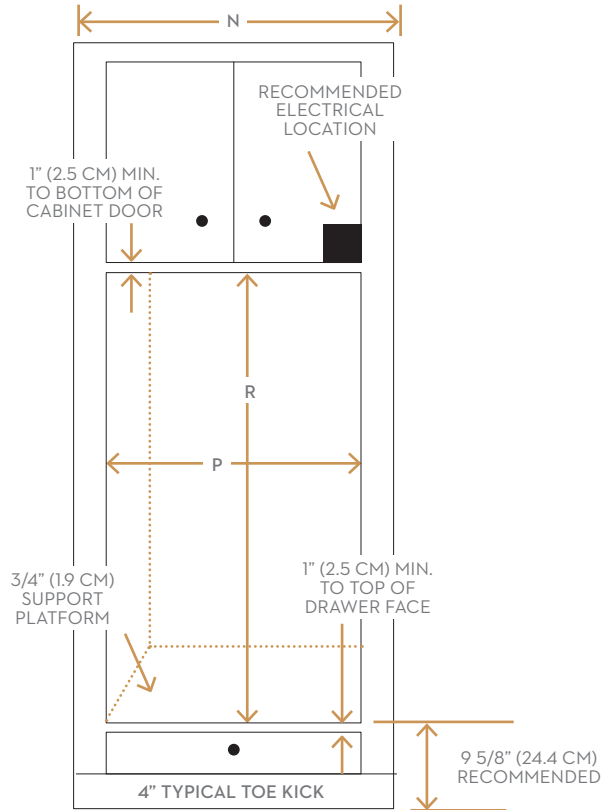
A	29 7/8" (75.9 CM)	WIDTH (FACE)
B	28 1/2" (72.4 CM)	WIDTH (CHASSIS)
C	50 1/8" (127.3 CM)	HEIGHT (OVERALL)
D	49" (124.5 CM)	HEIGHT (CHASSIS)
E	1 1/8" (2.9 CM)	TOP OF CHASSIS TO TOP OF CONTROL PANEL
F	6 1/2" (16.5 CM)	UTILITY CUTOUT (WIDTH)
G	5" (12.7 CM)	UTILITY CUTOUT (HEIGHT)
H	7 7/8" (20.0 CM)	UTILITY CUTOUT (DEPTH)
J	1 1/8" (3.2 CM)	CONTROL PANEL (DEPTH)
K	23 5/8" (60 CM)	DEPTH (CHASSIS)



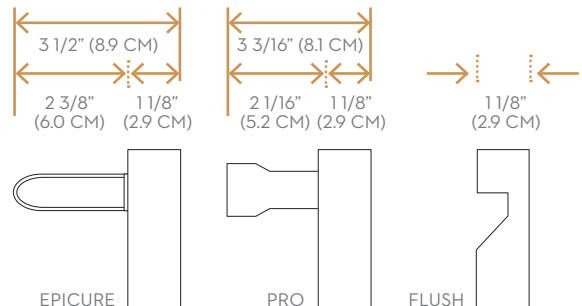
INSTALLATION CUTOUT DIMENSIONS

CABINET	INSTALL DIMENSION
N	30" (76.2 CM)
P	MIN. 28 5/8" (72.7 CM) RECOMMENDED MAX. 29 1/8" (74.0 CM)
R	MIN. 49 1/8" (124.8 CM) RECOMMENDED MAX. 50" (127.0 CM)

WALL CABINET



HANDLE DIMENSIONS



All tolerances: $\pm 1/16$ (+/-1.6MM) unless otherwise stated.



27-INCH DOUBLE WALL OVEN

HWO227 | HERITAGE COLLECTION



AVAILABLE MODELS

HWO227ES	Heritage 27" Double Wall Oven - Stainless Steel with Epicure Style Handle
HWO227PS	Heritage 27" Double Wall Oven - Stainless Steel with Pro Style Handle
HWO227FS	Heritage 27" Double Wall Oven - Stainless Steel with Flush Handle
HWO227EB	Heritage 27" Double Wall Oven - Black Glass with Epicure Style Black Handle
HWO227PB	Heritage 27" Double Wall Oven - Black Glass with Pro Style Stainless Steel Handle
HWO227EC	Heritage 27" Double Wall Oven - DacorMatch Color System with Epicure Style Color Matching Handle
HWO227PC	Heritage 27" Double Wall Oven - DacorMatch Color System with Pro Style Color Matching Handle (End Caps in Stainless Steel)
HWO227FC	Heritage 27" Double Wall Oven - DacorMatch Color System with Flush Handle

FEATURES & BENEFITS

- Four-Part Pure Convection System provides superior heat distribution, and eliminates flavor transfer.
- RapidHeat™ Broil Element uses an 8-pass radiant ribbon element to broil food quickly and evenly.
- 4.5 cu. ft. oven capacity.
- 7 rack positions for multi-rack cooking.
- SoftShut™ doors.
- GlideRacks
- Self-Cleaning mode.
- Sabbath mode.

ACCESSORIES (INCLUDED)

GLIDERACK™	2 (UPPER) / 2 (LOWER)
STANDARD RACK	1 (UPPER) / 1 (LOWER)
TEMPERATURE PROBE	1

ACCESSORIES (OPTIONAL)

COOKIE SHEETS (SET OF 3)	ACSRO273
BROIL-ROASTING PAN SET	AORPVR
PIZZA STONE	ABS16

GENERAL PROPERTIES

COOKING MODES	PURE CONVECTION™ CONVECTION BAKE CONVECTION BROIL CONVECTION ROAST BAKE - BROIL
---------------	---

ADDITIONAL FEATURES

CLEANING TYPE	SELF CLEAN & GREENCLEAN™
RACK POSITIONS	7
CONVECTION TYPE	PURE CONVECTION™
LIGHTING	HALOGEN

OVEN PERFORMANCE

BAKE ELEMENT	3,000W - 8 PASS
BROIL ELEMENT	3,500W - 8 PASS
CONVECTION ELEMENT	2,200W

CONTROL FEATURES

DELAY TIME COOKING	YES
TIMED COOKING	YES
AUTOMATIC HOLD	YES
10-KEY PAD	YES
CLOCK	YES
TWO TIMERS	YES
SABBATH MODE	YES
CHILD LOCK	YES

ADDITIONAL MODES

KEEP WARM	YES
PROOF	YES
DEHYDRATE	YES
TEMPERATURE PROBE	YES

TECHNICAL DETAILS

CIRCUIT BREAKER (A)	50
VOLTS (V)	240
FREQUENCY (HZ)	60
ENERGY SOURCE	ELECTRIC

DIMENSIONS & WEIGHT

APPLIANCE DIMENSIONS (H X W X D) (IN.)	50 1/8" X 26 7/8" X 24"
REQUIRED CUTOUT SIZE (H X W X D) (IN.)	49 1/8" X 25 5/8" X 24"
OVEN CAPACITY (CUBIC FEET)	4.5

WARRANTY

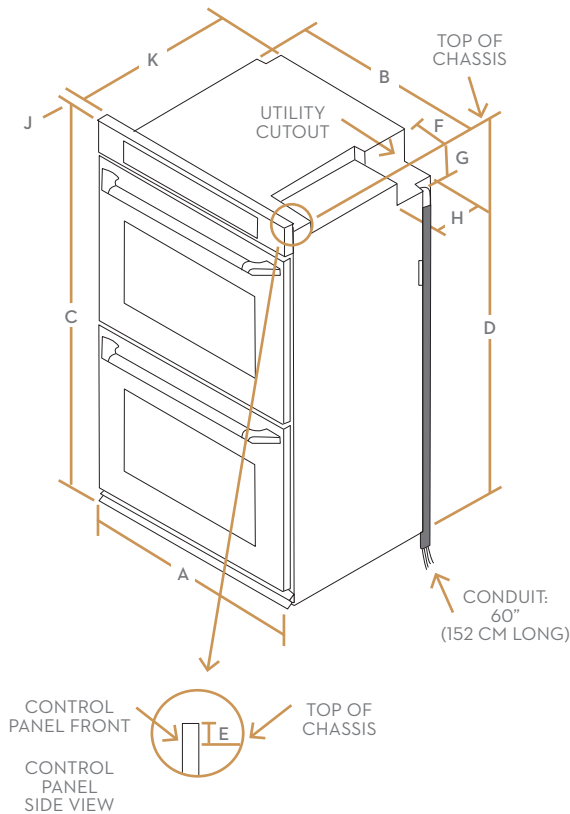
LIMITED, PARTS AND LABOR	1 YEAR
--------------------------	--------

dacor 27-INCH DOUBLE WALL OVEN

APPLIANCE DIMENSIONS

27"

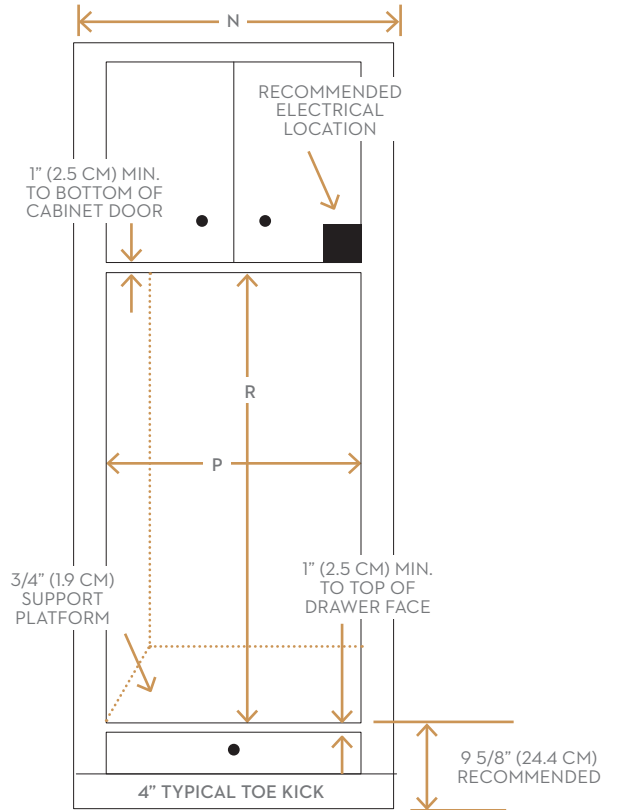
A	26 7/8" (68.3 CM)	WIDTH (FACE)
B	25 1/2" (64.8 CM)	WIDTH (CHASSIS)
C	50 1/8" (127.3 CM)	HEIGHT (OVERALL)
D	49" (124.5 CM)	HEIGHT (CHASSIS)
E	1 1/8" (2.9 CM)	TOP OF CHASSIS TO TOP OF CONTROL PANEL
F	6 1/2" (16.5 CM)	UTILITY CUTOUT (WIDTH)
G	5" (12.7 CM)	UTILITY CUTOUT (HEIGHT)
H	7 7/8" (20.0 M)	UTILITY CUTOUT (DEPTH)
J	1 1/8" (3.2 CM)	CONTROL PANEL (DEPTH)
K	23 5/8" (60 CM)	DEPTH (CHASSIS)



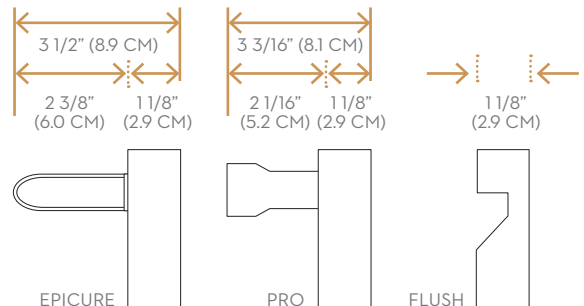
INSTALLATION CUTOUT DIMENSIONS

CABINET	INSTALL DIMENSION
N	27" (68.6 CM) MINIMUM
P	MIN. 25 5/8" (65.1 CM) RECOMMENDED MAX. 26 1/8" (66.4 CM)
R	MIN. 49 1/8" (124.8 CM) RECOMMENDED MAX. 50" (127.0 CM)

WALL CABINET



HANDLE DIMENSIONS



All tolerances: ± 1/16" (+/-1.6MM) unless otherwise stated.