

# STRATUS ISOLA SS

ISLAND RANGE HOOD



A BEAUTIFUL NEW CEILING MOUNTED HOOD WITH ADVANCED FEATURES. THE STRATUS HOOD FEATURES A STAINLESS STEEL MOUNTED PANEL THAT FITS IN THE CEILING ABOVE YOUR COOKING, QUIETLY DOING ITS JOB.

*NOW COMES IN MORE CFM OPTIONS FROM 300 UP TO 1,200 CFM*



Now with more  
blower options

## AVAILABLE MODELS

model #	size / color	cfm*
STRTIS36SSNB	36 Stainless Steel	choose
STRTIS48SSNB	48 Stainless Steel	choose

* choose a blower	cfm	sones
IB300	300	1.0 - 3.0
IB400	400	1.0 - 4.0
IB600	600	1.0 - 7.0
RB900	900	
RB1200	1200	

## KEY FEATURES



### Perimetric Filter System

Stainless panel increases efficiency and decreases noise levels



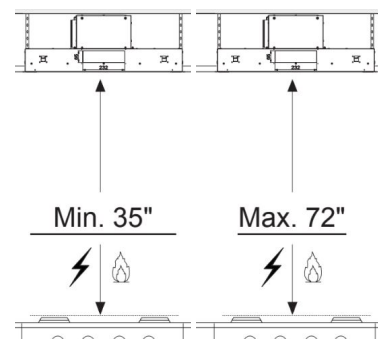
### Remote Control (included)

Control all features of the hood from the convenience of a wireless remote control



### Blower Flexibility (NEW)

Choose your blower CFM from 300, 400, 600 internal blowers or 900 / 1200 remote blower or in-line blower



Min. 35"

Max. 72"

### Installation Flexibility

Mounting flexibility above the cooktop 35"- 72" height off the stove

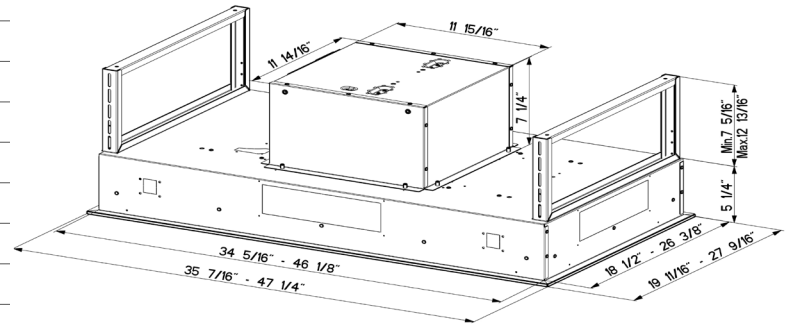
### SPECIFICATIONS

min / max ceiling height	5' 11" - 9' (up to 72" above the stove)
convertible to ductless / recirculating	yes - kit sold separately
hood width   depth (36")	35 7/16" w   18 1/2" d
hood width   depth (48")	47 1/4" w   27 9/16" d
controls	4 Speed LED Digital Touch Control
lighting	4 X 1 (W) LED
ducting	6" round -4 Way side Vent / 10" top only
grease filters	dishwasher safe mesh
Perimetric Filter/ SilentKit	yes
24 hour anti-pollution mode	yes
10 minute intensive speed	yes
30 minute auto shut off	yes
filter wash alarm	yes
ADA compliant	yes (with included remote control)
AC power	400 watts / 3.2 amps

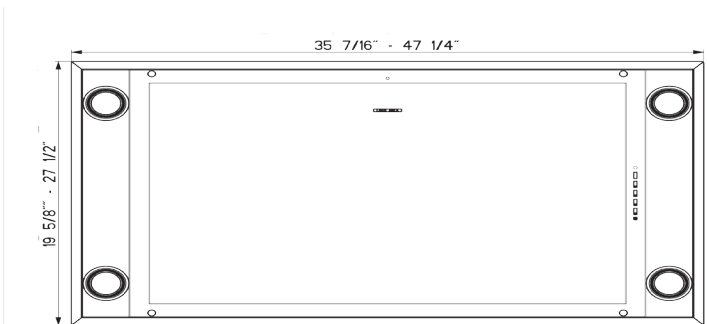
### PERFORMANCE (IB600)

	SPEED	1	2	3	BOOST
CFM		150	300	450	560
Sones		3.9	5	6.0	7.0

### DIMENSIONS



Overall



Bottom/Side

### ACCESSORIES

#### # FILTER1- Charcoal Filter Kit

High quality charcoal filter for use when recirculating the air back into the kitchen. Filters out odor and should be replaced every 6 months.

#### # FILTER1LL- Long Lasting Charcoal Filter Kit

New washable charcoal filter can be recharged and washed up to 8 times. For use when recirculating the air back into the kitchen. Filters out odor and can last up to 4 years

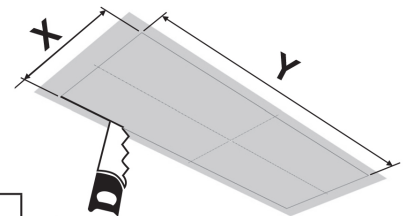
#### # FLANGE10- 10" Plate for Remote Blower

A 10" plate for connecting the remote blower to 10" round ducting.

#### # MUDAMPER6 / MUDAMPER8 / MUDAMPER10- Universal Make-Up Air Damper

Satisfies make-up air requirements, this kit uses an air switch to activate the make-up air damper to open and bring fresh air into the home when the hood fan is on. It then closes tightly when the hood is off. The CFM level is not reduced with this accessory.

See image with dimensions for ceiling cutout.



Hood	X	Y
36"	18 11/16"	34 9/16"
48"	26 9/16"	46 3/8"

Ceiling Cut Out



WARNING! Product specifications are subject to change without notification. Consult the installation instructions before you begin installing this range hood. \* Check local make up air codes for guidelines.



Imagined in Italy