

COASTER[®]
FINE FURNITURE

700497

TV STAND

**ASSEMBLY INSTRUCTION
COASTER FINE FURNITURE**



www.coastercompany.com

ASSEMBLY INSTRUCTION

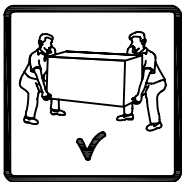
ASSEMBLY TIPS:

- 1.Remove hardware from box and sort by size.
- 2.Please check to see that all hardware and parts are present prior to start of assembly.
- 3.Please follow attached instructions in the same sequence as numbered to assure fast & easy assembly.



Warning !!


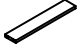

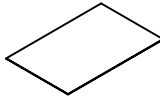
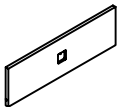
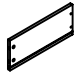
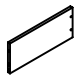
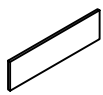
1. Don't attempt to repair or modify parts that are broken or defective. Please contact the store immediately.
2. This product is for home use only and not intended for commercial establishment.



ASSEMBLY TIME PER UNIT: 30 MINUTES

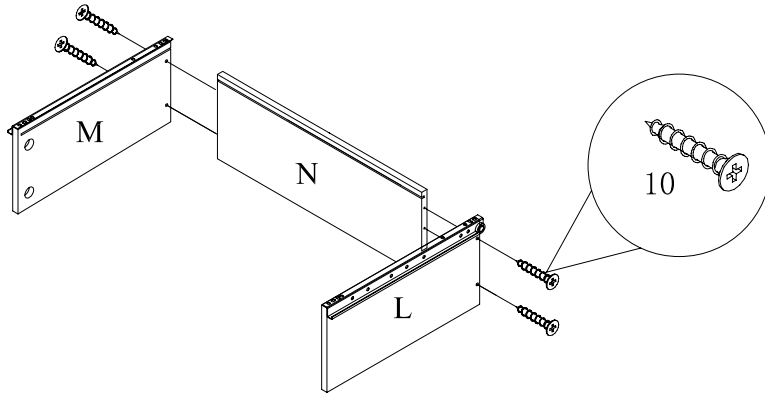
PARTS IDENTIFICATION

(A) TOP		1 PC	(E) LOWER SHELF		1 PC
(B) SHELF		1 PC	(F) UPPER DIVIDER PANEL		1 PC
(C) BOTTOM PANEL		1 PC	(G) LEFT LOWER DIVIDER PANEL		1 PC
(D) UPPER SHELF		1 PC	(H) RIGHT LOWER DIVIDER PANEL		1 PC

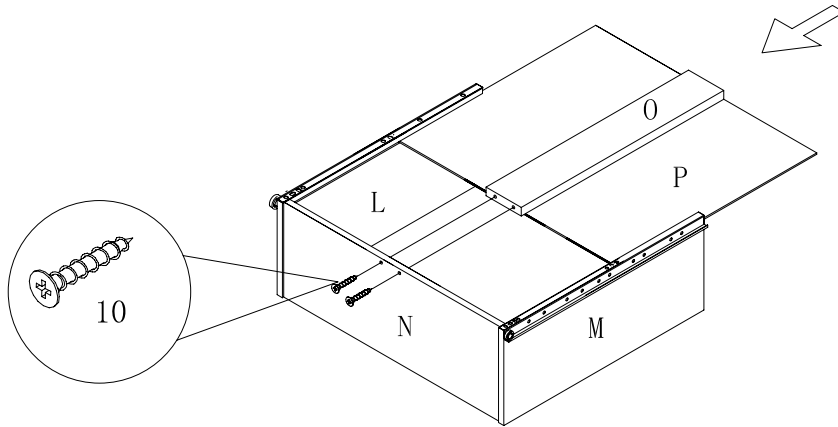
<p>(I) REAR LEFT LEG FRONT RIGHT LEG</p>		<p>2 PCS</p>	<p>(O) DRAWER BOTTOM SUPPORT</p>		<p>1 PC</p>
<p>(J) FRONT LEFT LEG REAR RIGHT LEG</p>		<p>2 PCS</p>	<p>(P) DRAWER BOTTOM PANEL</p>		<p>1 PC</p>
<p>(K) DRAWER FRONT PANEL</p>		<p>1 PCS</p>			
<p>(L) LEFT DRAWER SIDE PANEL</p>		<p>1 PC</p>			
<p>(M) RIGHT SIDE PANEL</p>		<p>1 PC</p>			
<p>(N) DRAWER BACK PANEL</p>		<p>1 PC</p>			

Z	HARDWARE PACKAGE			
NO	DESCRIPTION		FIGURE	Q' TY
1	LARGE CAMBOLT	L=29mm		18pcs
2	LARGE CAMLOCK	∅15mm		18pcs
3	SMALL CAMBOLT	L=20mm		4pcs
4	SMALL CAMLOCK	ET12mm		4pcs
5	SHORT DOWEL	∅8 × 25mm		14pcs
6	LONG DOWEL	∅6X30mm		2pcs
7	WOOD SCREW	∅7X48mm		2pcs
8	WASHER	∅8X16X2mm		2pcs
9	SMALL SCREW	∅4x16mm		2pcs
10	LARGE SCREW	∅4x30mm		6pcs
11	EXTRA LARGE SCREW	∅4x40mm		4pcs
12	IRON LEG	80x25x82mm		1pc
13	HANDLE			1pc
14	HANDLE SCREW	M4X10mm		1pc
15	STICKER	∅20mm		6pcs
16	NAIL			30pcs
17	THE RESTRAINT STRAP	197 × 5 × 1mm		1pc
18	BRACKET	12 × 12 × 1mm		1pc
19	SMALL SCREW	∅4X25mm		1pc
20	WALL SCREW	∅5X40mm		1pc
21	PLASTIC ANCHOR	∅8X40mm		1pc
22	GLUE			1pc

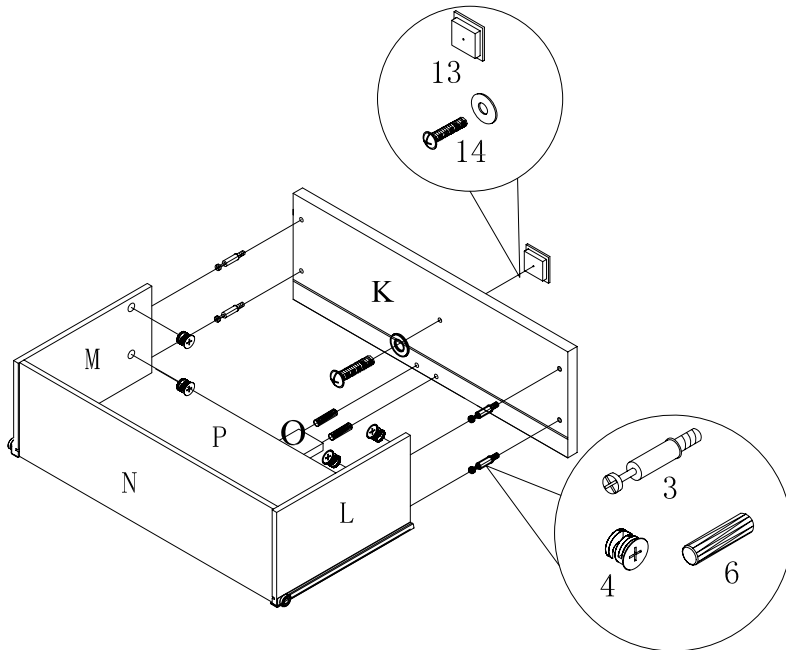
STEP1

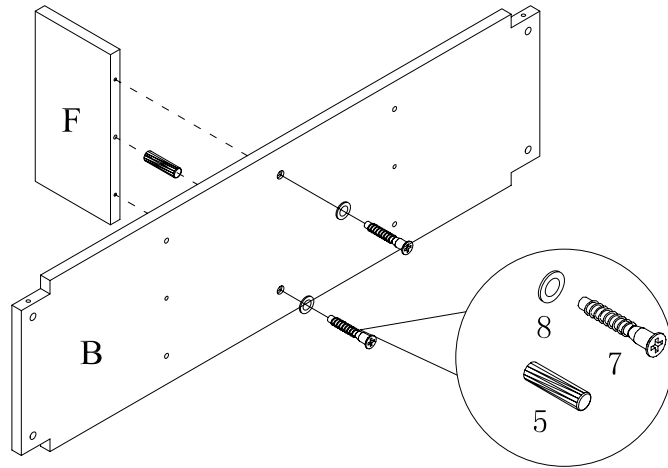


STEP2



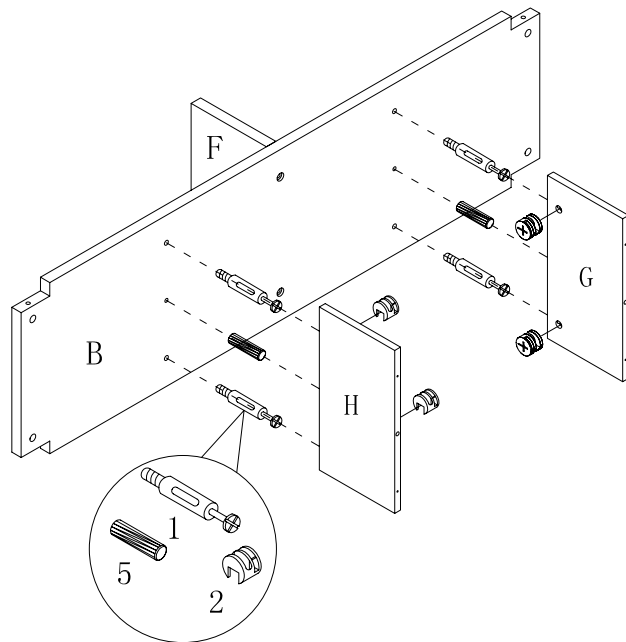
STEP3

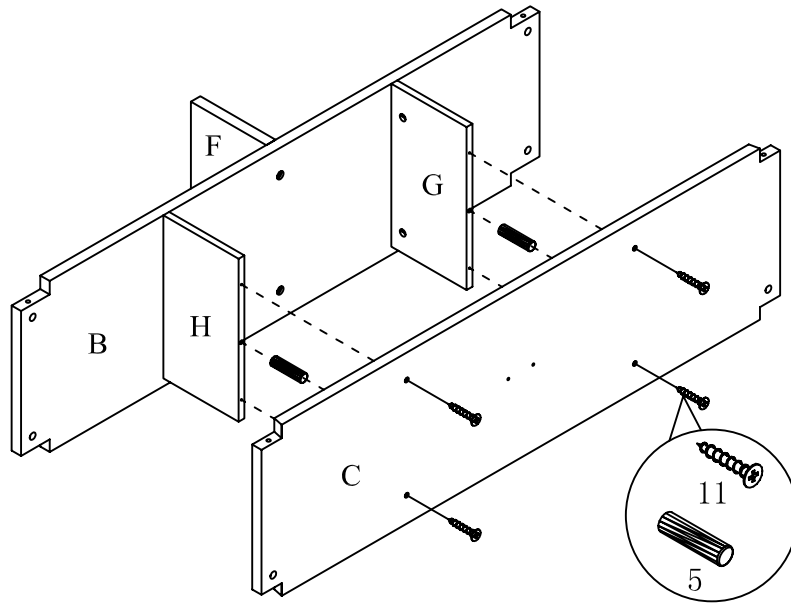




STEP4

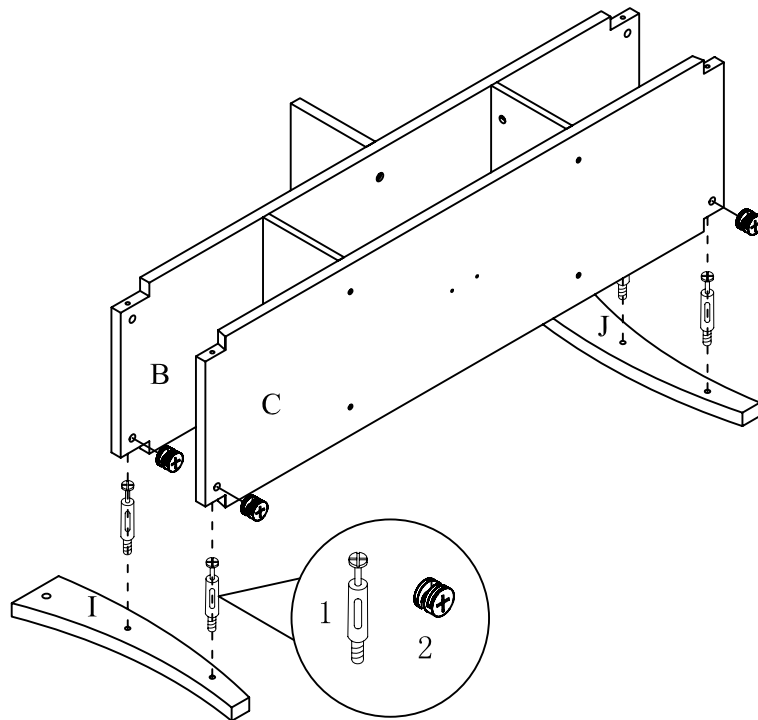
STEP5

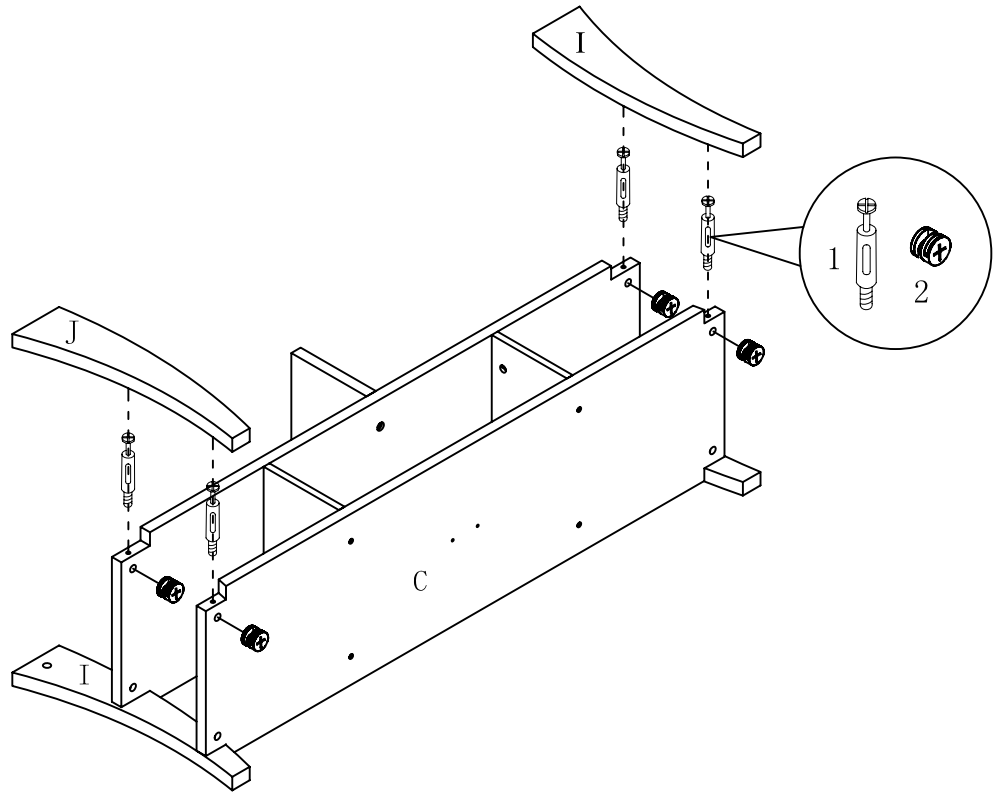




STEP6

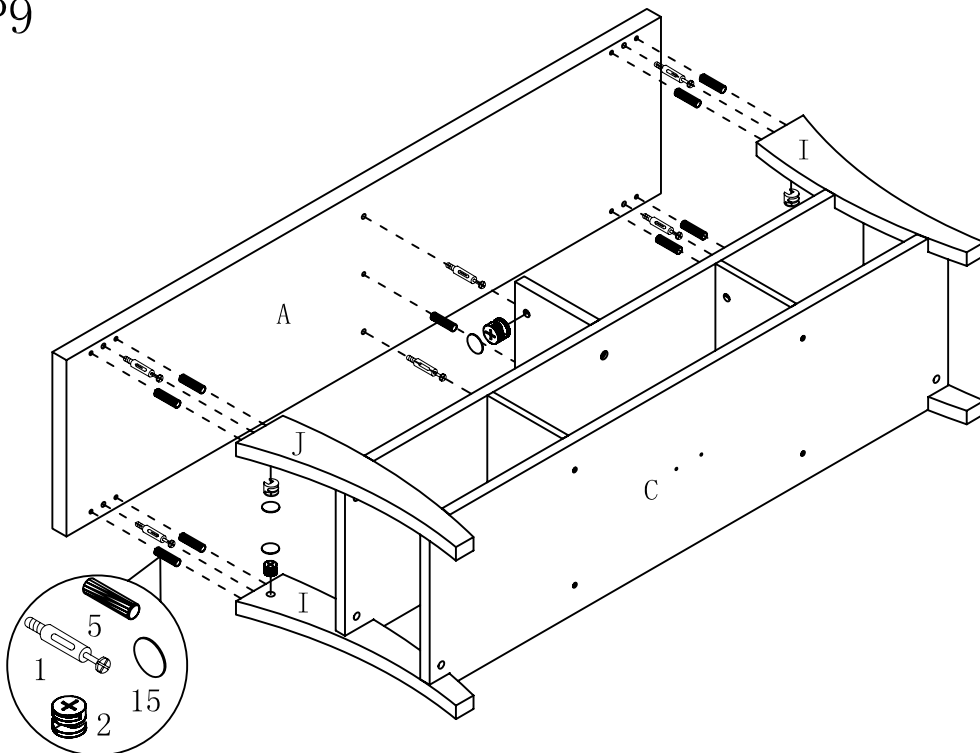
STEP7

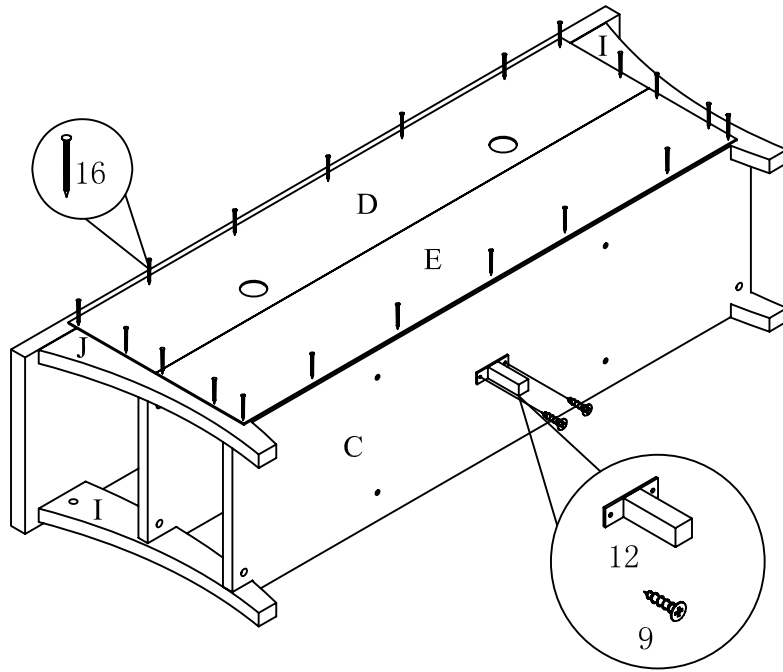




STEP8

STEP9





STEP10

STEP11

