

COASTER[®]
FINE FURNITURE

900558

KITCHEN CART

ASSEMBLY INSTRUCTIONS
COASTER FINE FURNITURE



www.coastercompany.com

ASSEMBLY TIPS:

1. Remove hardware from box and sort by size.
2. Please check to see that all hardware and parts are present prior to start of assembly.
3. Please follow attached instructions in the same sequence as numbered to assure fast & easy assembly.



Warning!

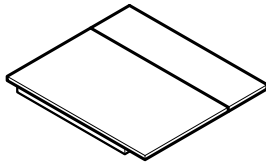
1. Don't attempt to repair or modify parts that are broken or defective. Please contact the store immediately.
2. This product is for home use only and not intended for commercial establishments.



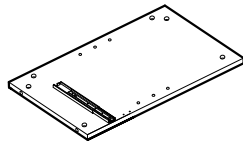
ASSEMBLY TIME 75 MINUTES

PARTS IDENTIFICATION :

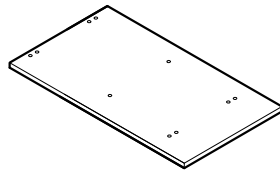
A) TOP FRAME - 1PC



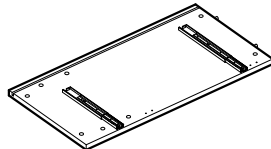
B) DIVIDER - 1PC



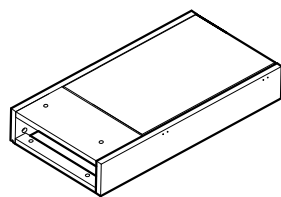
C) BOTTOM PANEL - 1PC



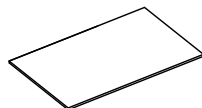
D) SIDE PANEL - 1PC



E) SIDE BOX - 1PC



F) LARGE BACK PANEL - 1PC

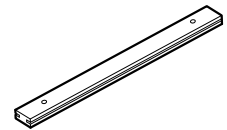


G) SMALL BACK PANEL - 1PC

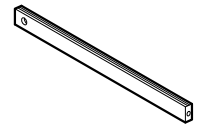


PARTS IDENTIFICATION :

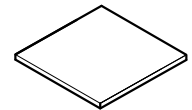
H) BACK RAIL - 1PC



I) BOTTOM RAIL - 1PC



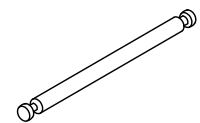
J) SHELF PANEL - 2PCS



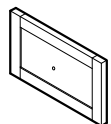
K) BRACKET - 2PCS



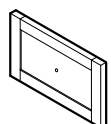
L) ROD - 1PC



M) LEFT DRAWER FRONT PANEL - 1PC



N) RIGHT DRAWER FRONT PANEL - 1PC



ASSEMBLY TIPS:

1. Remove hardware from box and sort by size.
2. Please check to see that all hardware and parts are present prior to start of assembly.
3. Please follow attached instructions in the same sequence as numbered to assure fast & easy assembly.



Warning!

1. Don't attempt to repair or modify parts that are broken or defective. Please contact the store immediately.
2. This product is for home use only and not intended for commercial establishments.

PARTS IDENTIFICATION :

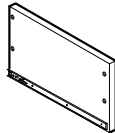
O) LARGE DRAWER BACK PANEL - 1PC



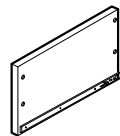
P) SMALL DRAWER BACK PANEL - 1PC



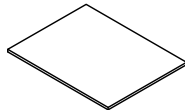
Q) LEFT DRAWER SIDE PANEL - 2PCS



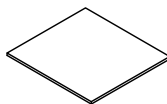
R) RIGHT DRAWER SIDE PANEL - 2PCS



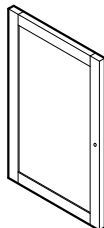
S) LARGE DRAWER BOTTOM PANEL - 1PC



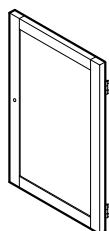
T) SMALL DRAWER BOTTOM PANEL - 1PC



U) LEFT DOOR - 1PC



V) RIGHT DOOR - 1PC



PARTS IDENTIFICATION :

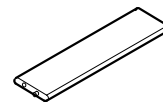
W) LEFT MULTI PURPOSE TRAY SIDE PANEL - 1PC



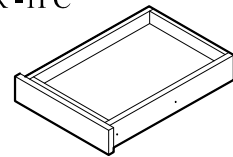
X) RIGHT MULTI PURPOSE TRAY SIDE PANEL - 1PC



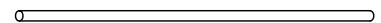
Y) MULTI PURPOSE TRAY BOTTOM PANEL-1PC



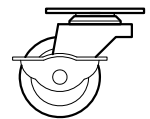
A2) TRASH CAN HOLDER -1PC



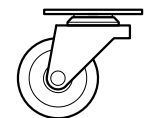
B2) SPINDLE - 3PCS



C2) CASTOR WITH LOCK - 2PCS



D2) CASTOR WITHOUT LOCK - 2PCS



X1) KNOB WITH SCREW (DRAWER) - 2SETS



X2) KNOB WITH SCREW (DOOR) - 2SETS



ASSEMBLY TIPS:

1. Remove hardware from box and sort by size.
2. Please check to see that all hardware and parts are present prior to start of assembly.
3. Please follow attached instructions in the same sequence as numbered to assure fast & easy assembly.

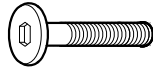


Warning!

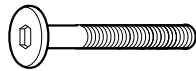
1. Don't attempt to repair or modify parts that are broken or defective. Please contact the store immediately.
2. This product is for home use only and not intended for commercial establishments.

HARDWARE IDENTIFICATION :

1.SHORT BOLT - 10PCS



2.LONG BOLT - 4PCS



3. FLAT WASHER - 8PCS



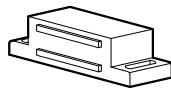
4. BARREL NUT - 4PCS



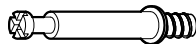
5. ALLEN WRENCH - 1PC



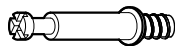
6. MAGNETIC CATCH -2PCS



7. LONG CAM BOLT - 8PCS



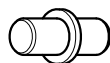
8. SHORT CAM BOLT - 2PCS



9. CAM NUT - 10PCS

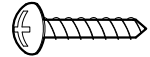


10. SHELF SUPPORT - 8PCS

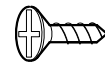


HARDWARE IDENTIFICATION :

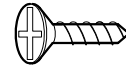
11. PAN HEAD SCREW - 16PCS



12. SHORT FLAT HEAD SCREW - 12PCS

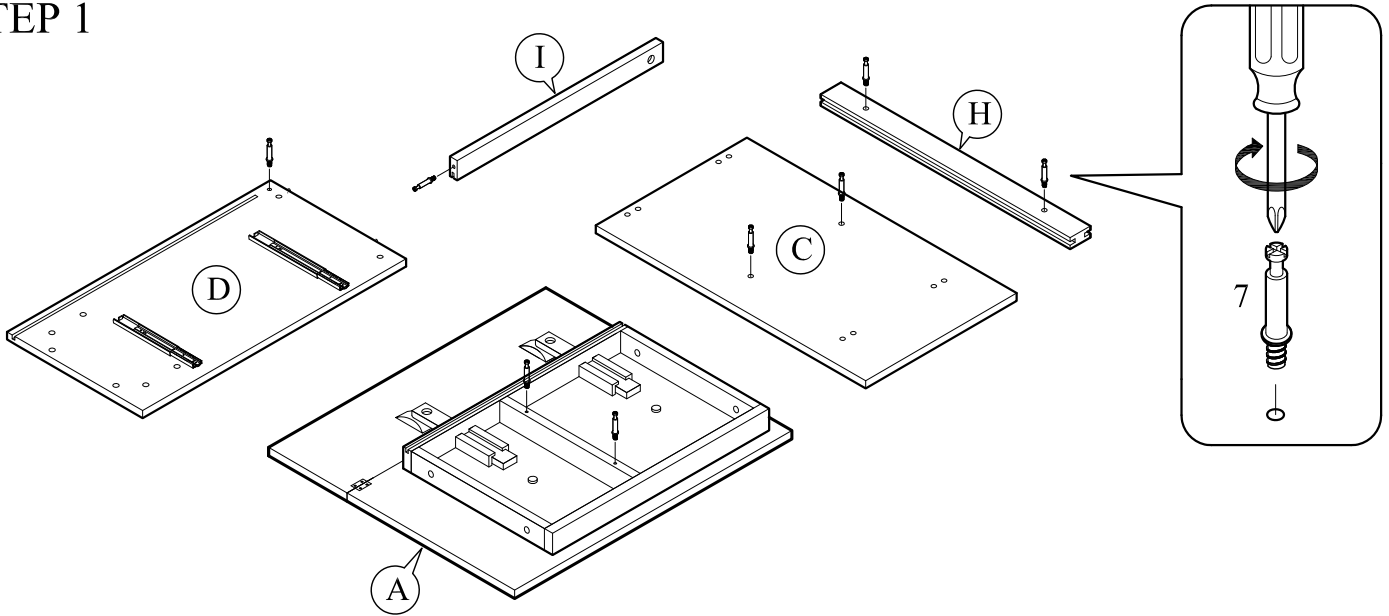


13. LONG FLAT HEAD SCREW - 20PCS

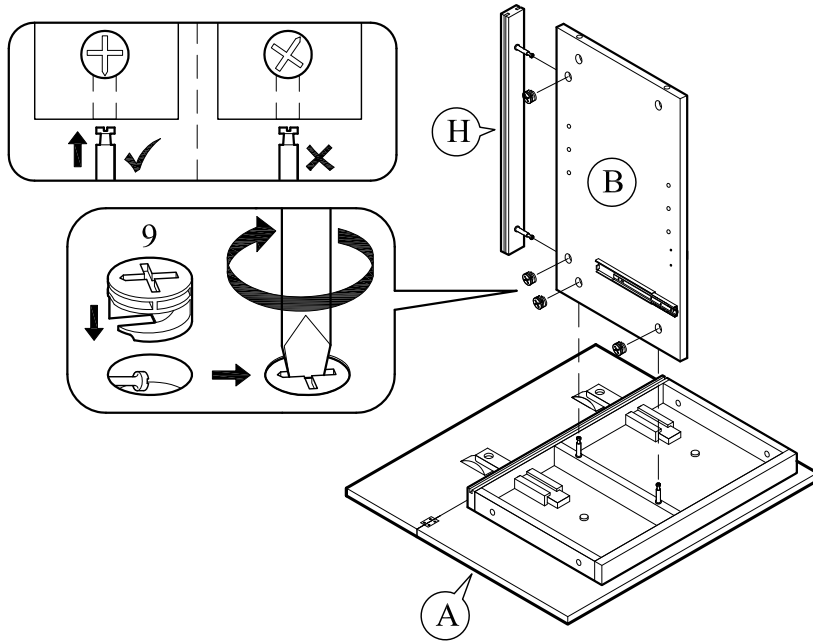


NOTE : PHILLIPS HEAD SCREW DRIVER AND RUBBER Mallet ARE REQUIRED IN THE ASSEMBLY PROCESS; HOWEVER MANUFACTURER DOES NOT PROVIDE THESE ITEMS.

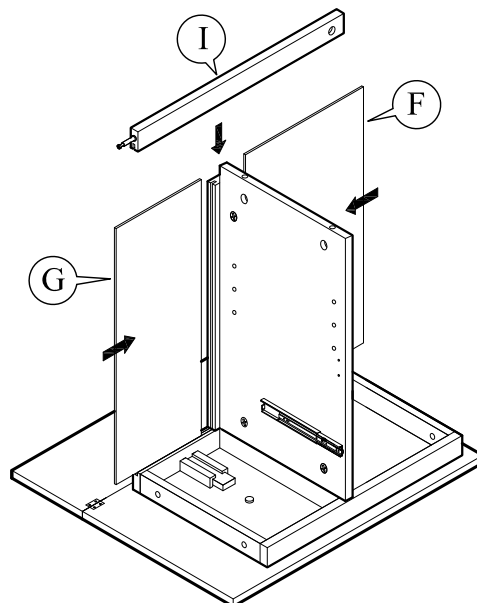
STEP 1



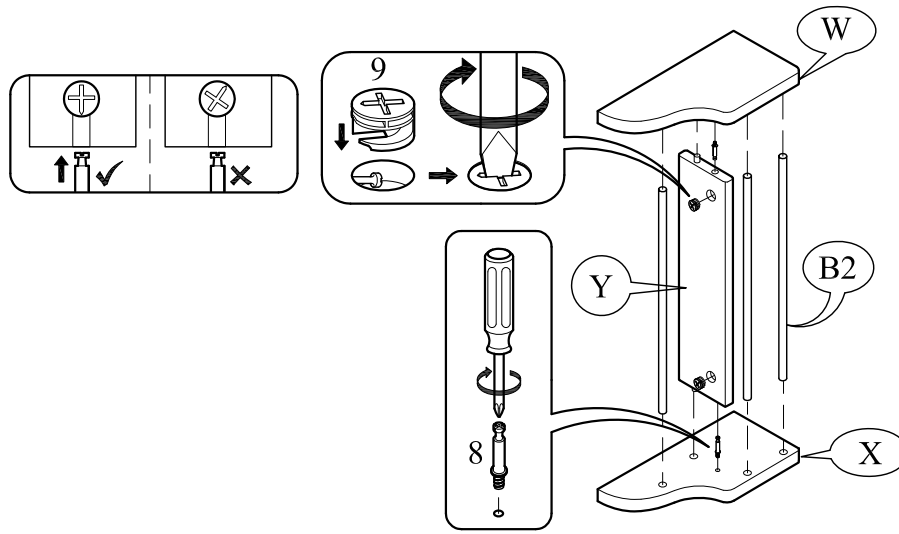
STEP 2



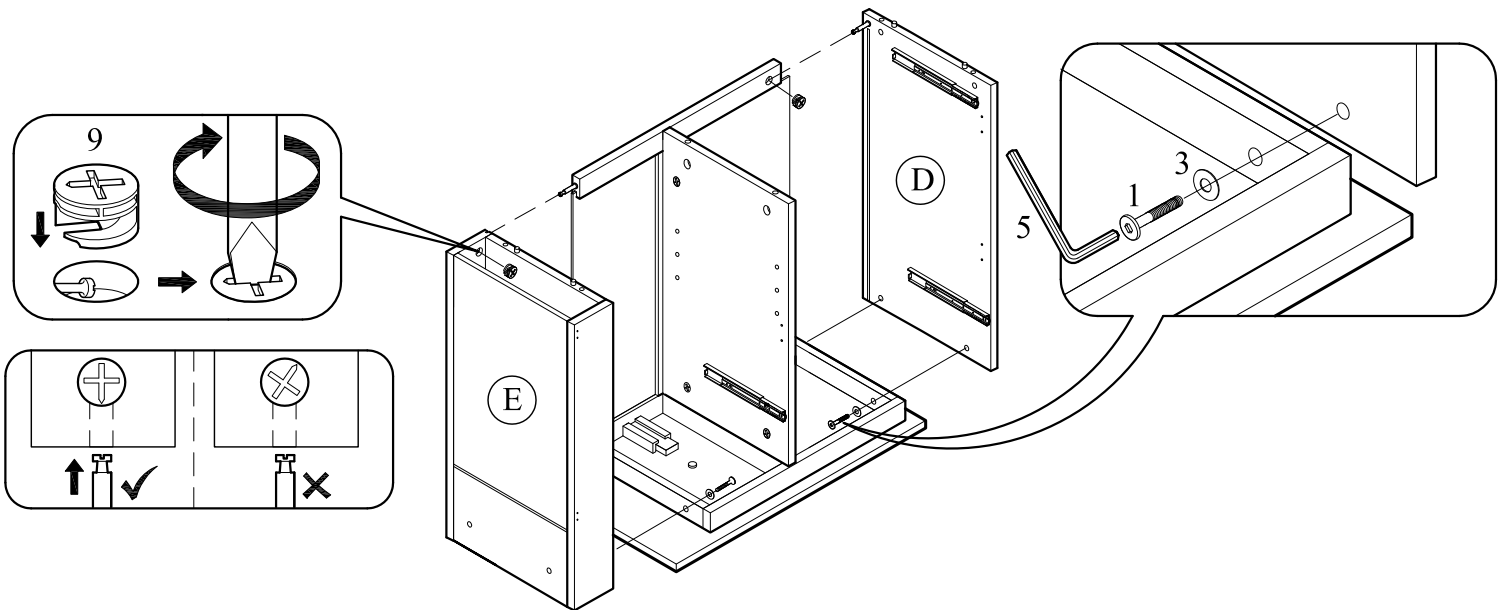
STEP 3



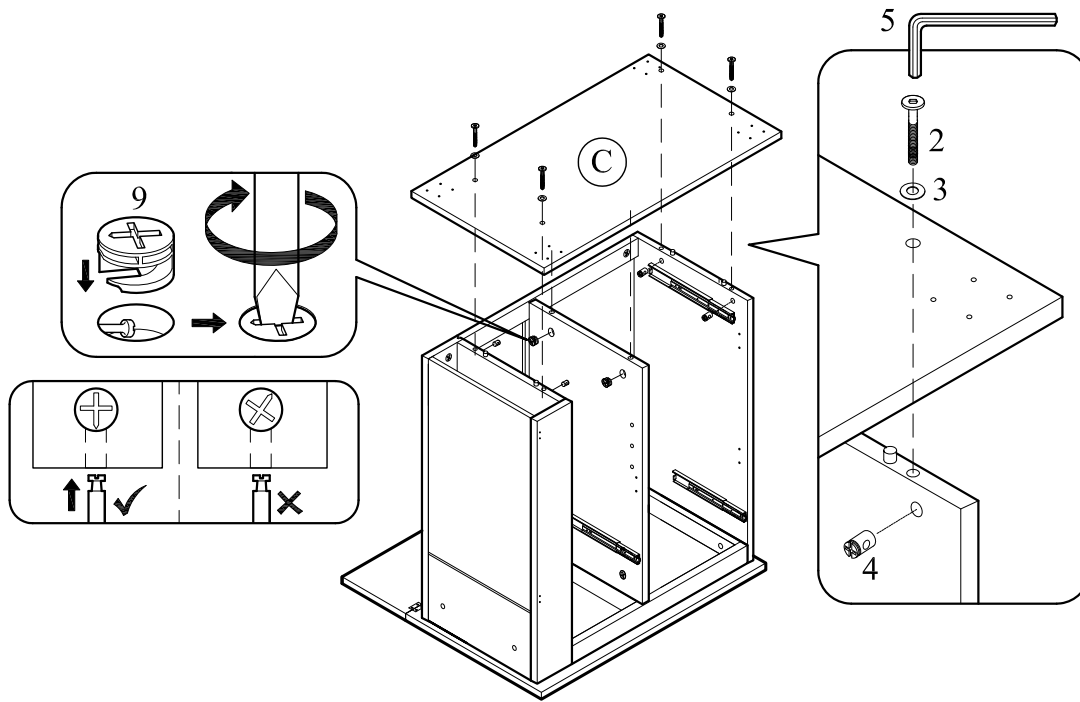
STEP 4



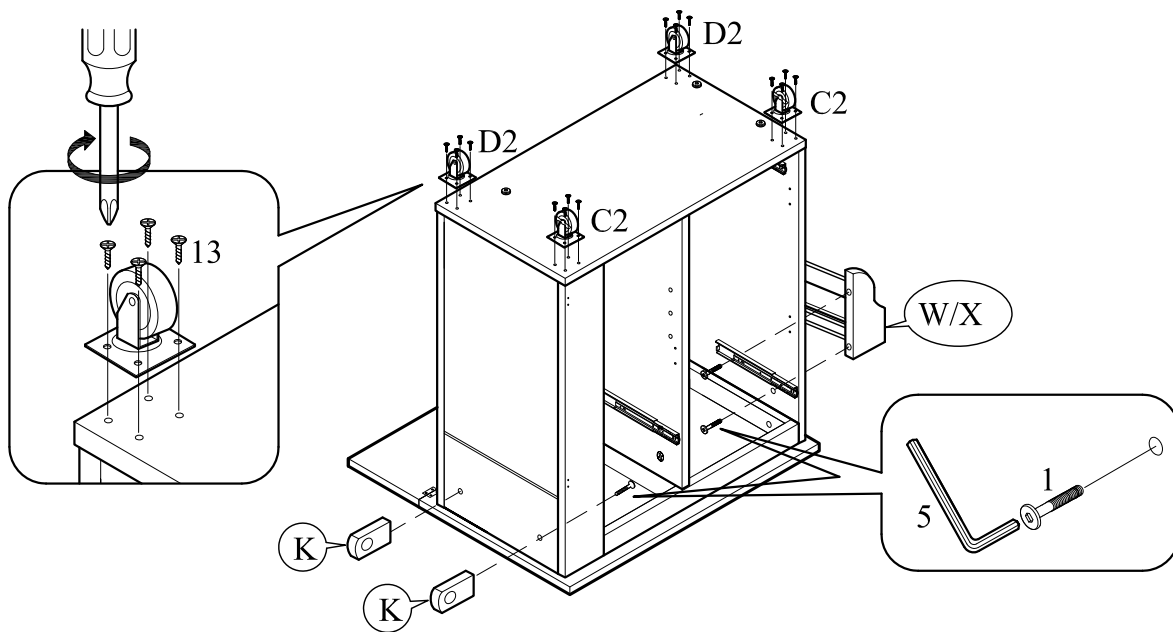
STEP 5



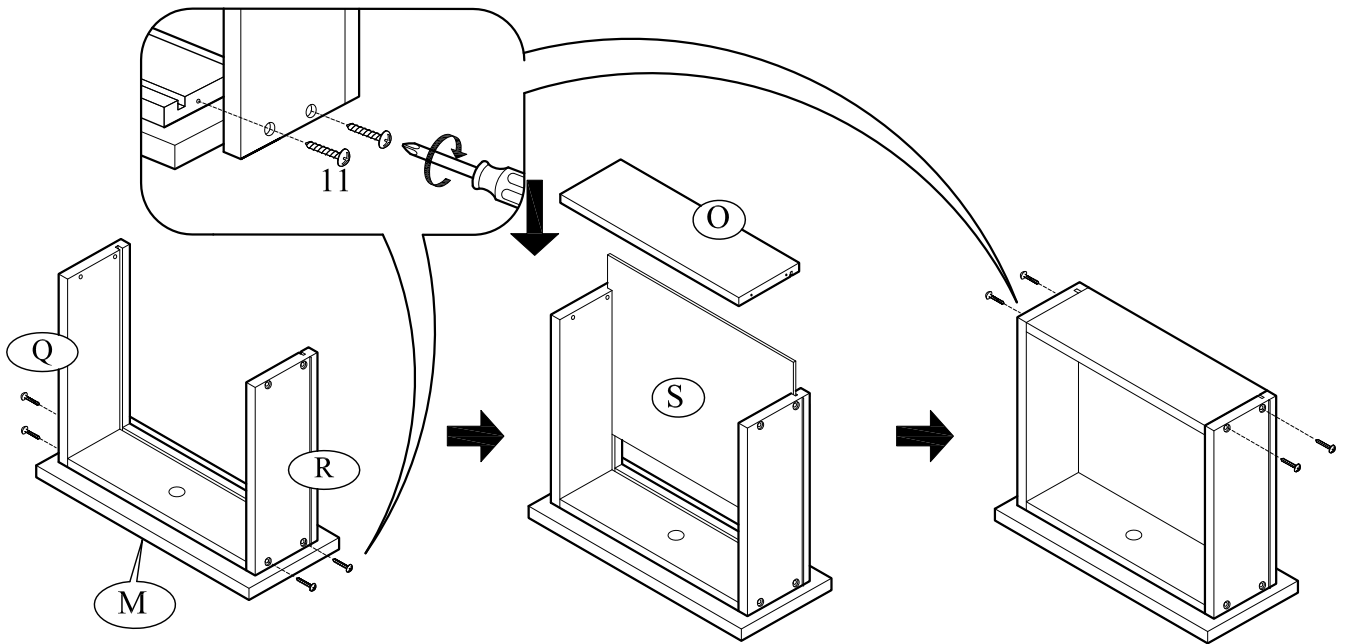
STEP 6



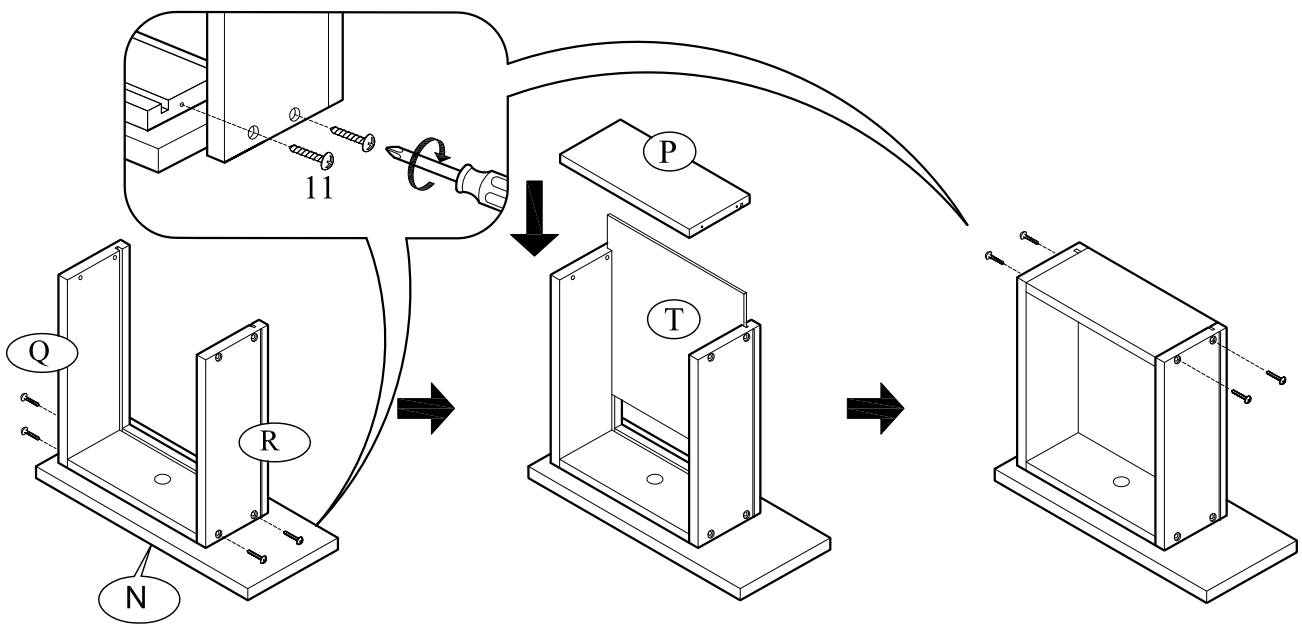
STEP 7



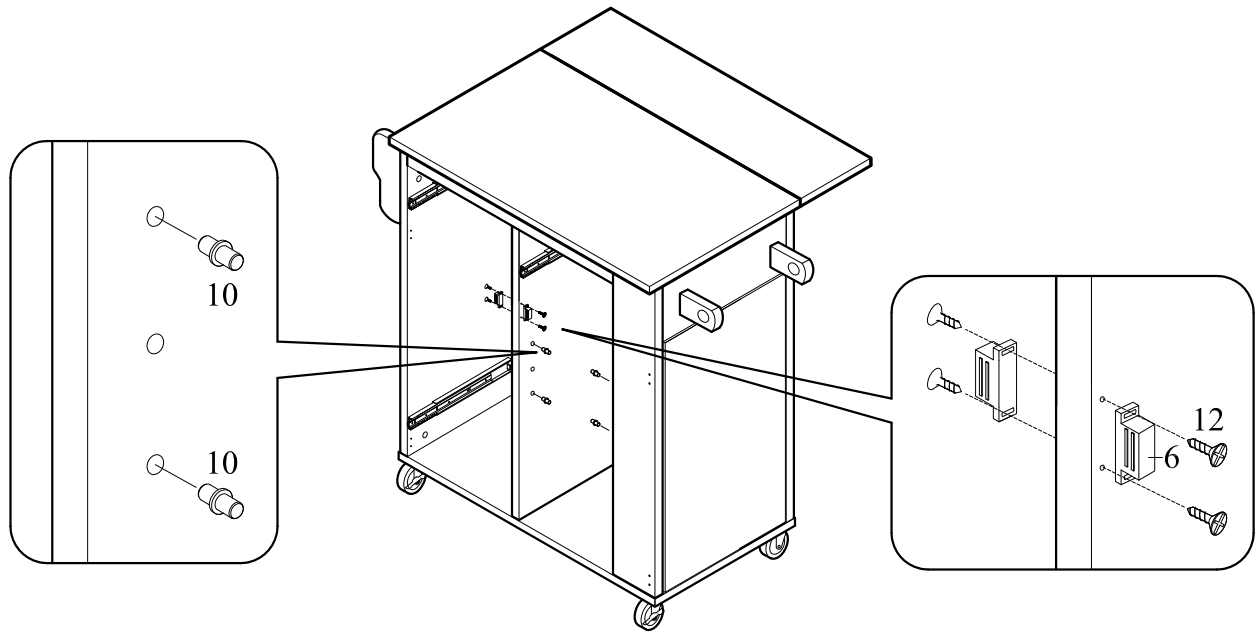
STEP 8



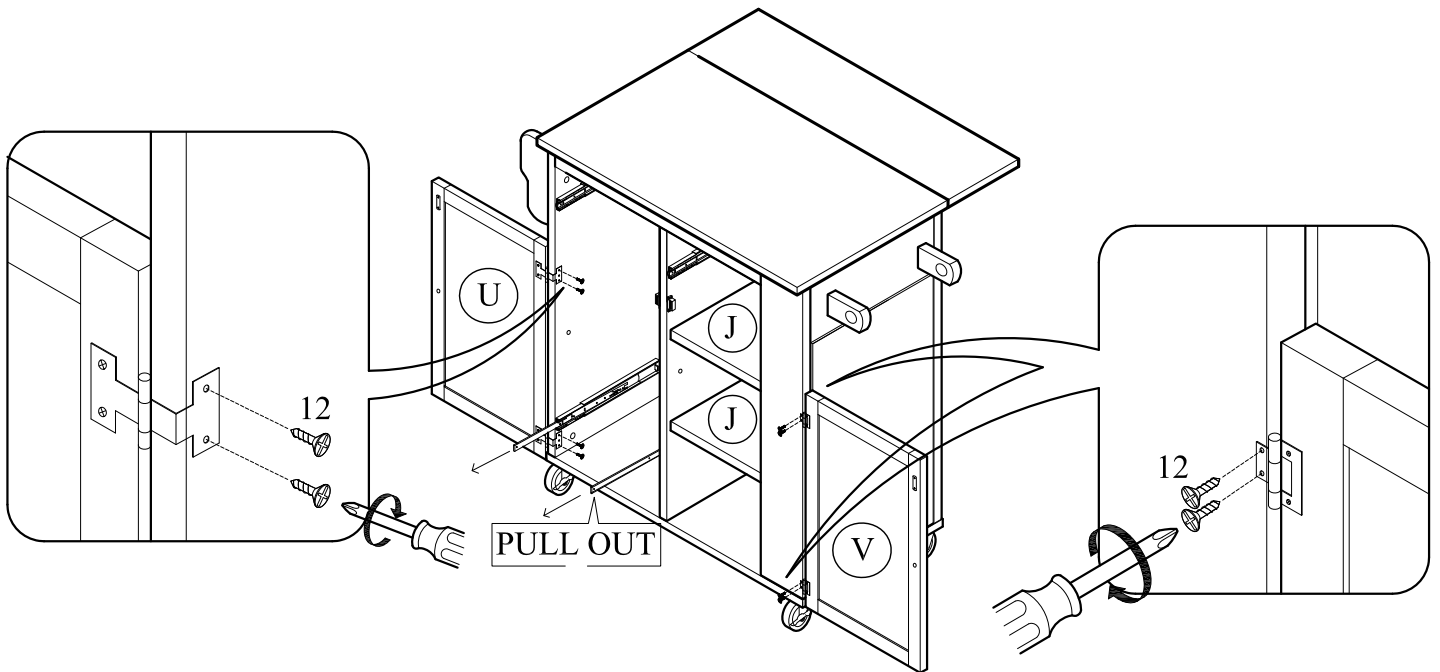
STEP 9



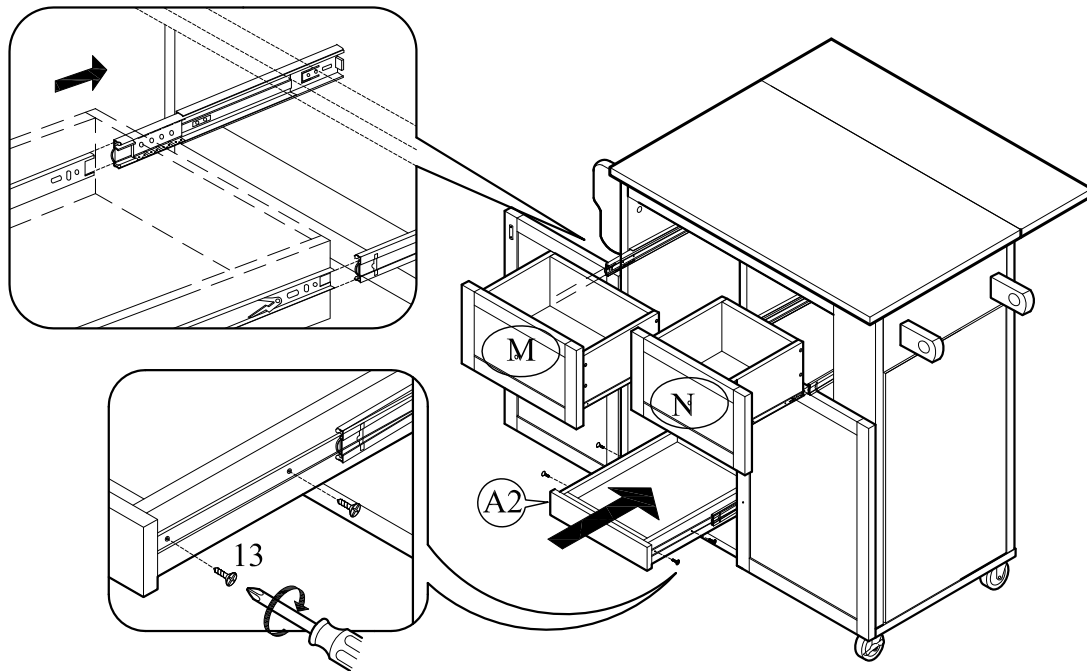
STEP 10



STEP 11



STEP 12



STEP 13

