



## 5 SERIES BUILT-IN SELECT ELECTRIC OVENS

*Viking Professional 5 Series – VSOE/VDOE*

### FEATURES

- Largest oven cavity in the industry makes room for all your cooking needs
- Patented Vari-Speed Dual Flow Convection System™ has the largest fan in the industry; the 8-1/2" two-speed fan works bidirectionally for maximum airflow and excellent cooking results
- Concealed 10-pass dual bake element makes the oven cavity easy to clean while providing precise temperatures
- Rapid Ready™ preheat provides one of the fastest preheat times, so your oven is ready to begin cooking when you are
- Each oven has six porcelain-coated rack positions and comes standard with three oven racks
  - Select models have one TruGlide™ full extension oven rack in each oven (upper oven of double oven)
- Halogen lighting makes it easy to see inside
- 10-pass broiler with heat reflector directs heat directly into the food for quicker results
- High-performance cooking modes include TruConvec™ convection cooking, convection roast, convection bake, convection broil, conventional bake, and three-level conventional broil (convection features in top oven only of double ovens)
- Set the oven to begin cooking up to 24 hours later and shut off when cooking time is complete with the Timed Bake feature
- Self-clean feature on all ovens

### EASY OPERATION AND CLEANUP

- **NEW** BlackChrome™ Knobs ship standard
- **NEW** larger window opening
- Self-clean oven setting with indicator light
- Heavy-duty oven door handle
- High-density insulation contains heat within the oven cavity for maximum energy savings and performance, even during high-temperature self-cleaning



- Concealed 10-pass dual bake element makes for easy clean up of the oven cavity

### MULTIPLE DESIGN OPTIONS

- Oven can be installed flush to the cabinet with the Flush Mount Installation Kit accessory
- Oven can be installed in a normal application to stand proud from the face of the cabinet

### MODEL NUMBERS

- VSOE130 – Select Electric 30" W. Single Oven
- VDOE130 – Select Electric 30"W. Double Oven

### ACCESSORIES

- P30FTSSS – Flush mount kit for 30"W. Single Oven
- P30FTDSS – Flush mount kit for 30"W. Double Oven

### COLOR FINISHES

- Available in three exclusive color finishes
- Stainless Steel (SS), Black (BK), White (WH),



### WARRANTY

- 2-year full – complete product
- 90-day full – cosmetic parts such as glass, painted items and decorative items
- 5-year limited – electric heating elements



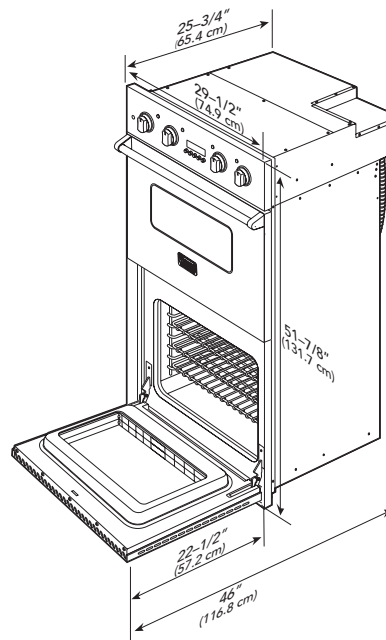
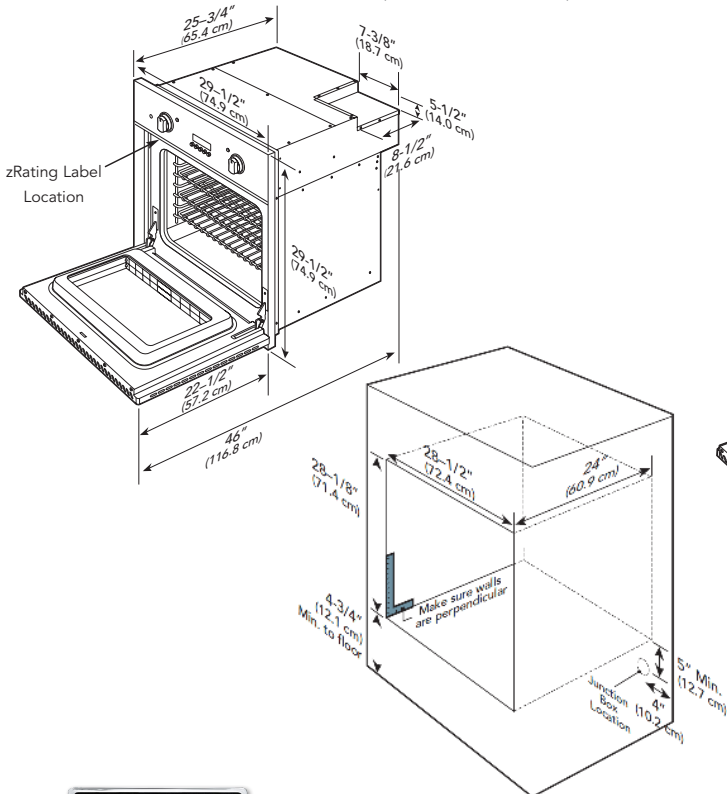
# 5 SERIES BUILT-IN SELECT ELECTRIC OVENS

Viking Professional 5 Series – VSOE/VDOE

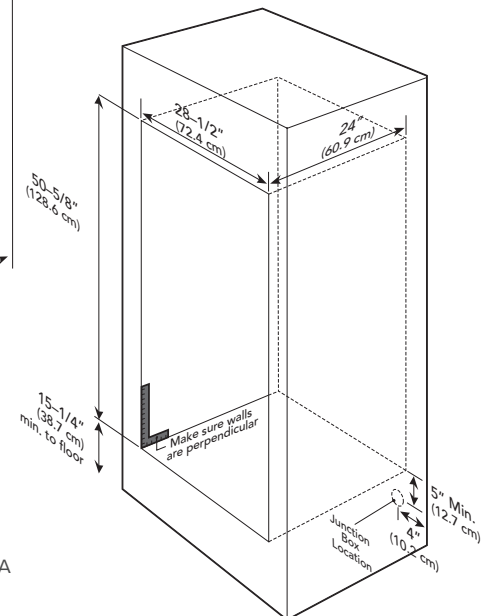
ELECTRIC 30" WIDE ELECTRIC OVENS		
DESCRIPTION	VSOE130	VDOE130
Overall Width	29-7/8" (75.9 cm)	29-1/2" (74.9 cm)
Overall Height	29-1/2" (74.9 cm)	51-7/8" (131.7 cm)
Overall Depth from Rear	To edge of door – 25-3/4" (65.4 cm) With door open – 46" (116.8 cm)	To edge of door – 25-3/4" (65.4 cm) With door open – 46" (116.8 cm)
Cutout Width	Standard – 28-1/2" (72.4 cm) Flush mount – 29-15/16" (76.0 cm)	Standard – 28-1/2" (72.4 cm) Flush mount – 29-15/16" (76.0 cm)
Cutout Height	Standard – 28-1/8" (71.4 cm) Flush mount – 30-5/16" (77.0 cm)	Standard – 50-5/8" (128.6 cm) Flush mount – 52-13/16" (134.1 cm)
Cutout Depth	Standard – 24" (61.0 cm) Flush mount – 25-3/4" (65.4 cm)	Standard – 24" (61.0 cm) Flush mount – 25-3/4" (65.4 cm)
Electrical Requirements	4-wire ground, 240VAC, 30-amp electrical connection. Unit equipped with No. 10 ground wire in conduit. Should be fused separately.	4-wire ground, 240VAC, 50-amp electrical connection. Unit equipped with No. 10 ground wire in conduit. Should be fused separately.
Maximum Amp Usage	240VAC – 24.0 amps 208VAC – 20.8 amps	240VAC – 40.0 amps 208VAC – 34.7 amps
Interior Dimensions	Width – 25-5/16" (64.3 cm) Height – 16-1/2" (41.9 cm) Depth – 16-13/16" (42.7 cm) Three racks, six rack positions	Applies to each oven Width – 25-5/16" (64.3 cm) Height – 16-1/2" (41.9 cm) Depth – 16-13/16" (42.7 cm) Three racks, six rack positions
Oven Volume	Overall oven capacity – 4.7 cu. ft. AHAM Standard* – 4.1 cu. ft.	Upper oven Overall oven capacity – 4.7 cu. ft. AHAM Standard* – 4.1 cu. ft. Lower oven Overall oven capacity – 4.7 cu. ft. AHAM Standard* – 4.5 cu. ft. VEDO1302 – 4.5 cu. ft. VEDO5302 – 4.1 cu. ft.
Approximate Shipping Weight	278 lb. (126.1 kg)/293 lb. (132.9 kg)	424 lb. (192.3 kg)/449 lb. (203.7 kg)

Please do not prepare installation from brochure data only. See installation instructions for important clearance/installation information.  
\*The AHAM Standard for measuring oven capacity subtracts the door plug and convection baffle dimension from the total oven volume.

**Do NOT install single/double wall ovens side by side or stacked with one on top of the other.**



Note: A minimum of 2" (5.1 cm) spacing above and below the oven to any adjacent appliances such as a microwave or warming drawer is required for ventilation purposes.



VIKING RANGE, LLC 111 FRONT STREET GREENWOOD, MISSISSIPPI 38930 USA

For detailed product information, model numbers, or to request a quote call 1-888-845-4641 or visit [vikingrange.com](http://vikingrange.com)  
© 2018 Viking Range, LLC All rights reserved. Specifications subject to change without notice.