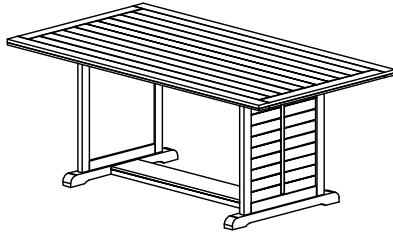


ASSEMBLY INSTRUCTION

Item No : D884-10

Description : DINING TABLE



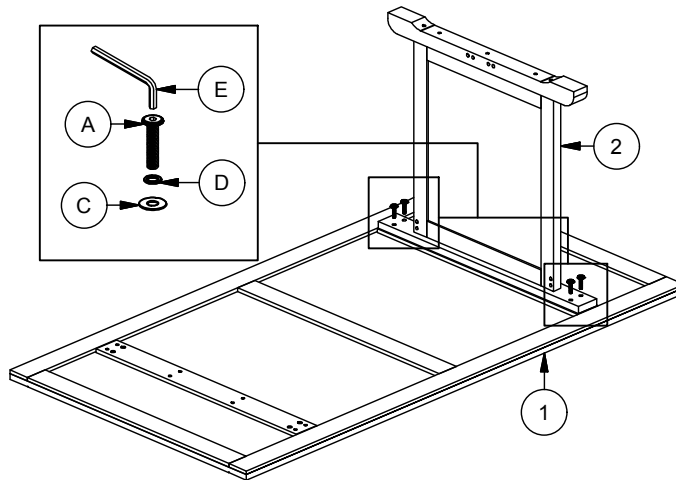
IMPORTANT NOTE :

- Place all wooden parts on a clean and smooth surface such as a rug or carpet to avoid the parts from being scratched.
- Check to be sure that you have all parts and hardware.
- Remove all wrapping materials, including staples & packing straps before you start to assemble.
- Do not tighten all screws / bolts until all completely assembled.
- Keep all hardware parts out of reach of children.

PART LIST		
NO	DESCRIPTION	QTY/PCS
1	TABLE TOP	1 PC
2	LEG FRAME	2 PCS
3	CENTER SUPPORT RAIL	2 PCS
4	STRETCHER	1 PC

HARDWARE LIST		
NO	DESCRIPTION	QTY/PCS
A	BOLT M8 x 40	8 PCS
B	BOLT M8 x 60	8 PCS
C	FLAT WASHER 5/16"	12 PCS
D	SPRING WASHER 5/16"	16 PCS
E	ALLEN KEY M5	1 PC

STEP 1



STEP 2

