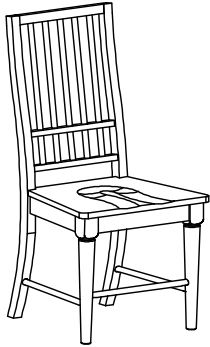


ASSEMBLY INSTRUCTION

Item No : D884-61

Description : DINING CHAIR



IMPORTANT NOTE :

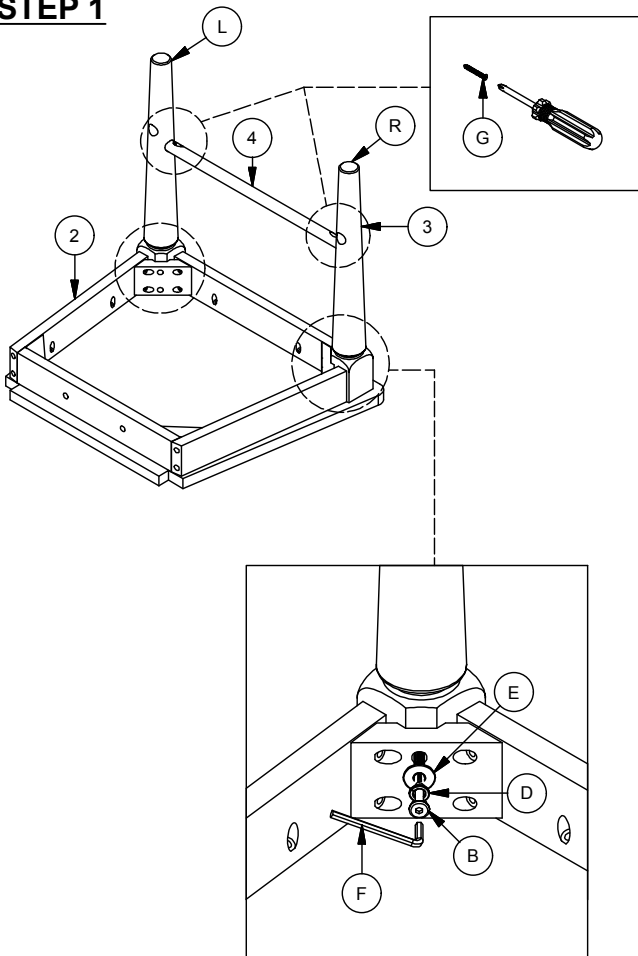
- Place all wooden parts on a clean and smooth surface such as a rug or carpet to avoid the parts from being scratched.
- Check to be sure that you have all parts and hardware.
- Remove all wrapping materials, including staples & packing straps before you start to assemble.
- Do not tighten all screws / bolts until all completely assembled.
- Keep all hardware parts out of reach of children.

PART LIST		
NO	DESCRIPTION	QTY/PCS
1	CHAIR BACK	1 PC
2	SEAT WITH FRAME	1 PC
3	LEG (L&R)	2 PCS
4	FRONT STRETCHER (LONG)	1 PC
5	SIDE STRETCHER (SHORT)	2 PCS

HARDWARE LIST		
NO	DESCRIPTION	QTY/PCS
A	BOLT M6 x 80	4 PCS
B	BOLT M6 x 60	4 PCS
C	BOLT M6 x 40	2 PCS
D	SPRING WASHER 1/4" x 13	10 PCS
E	FLAT WASHER 1/4" x 19	10 PCS
F	ALLEN KEY M4 (LONG WITH BALL)	1 PC
G	CSK SCREW M4 x 32MM	6 PCS

REMARKS : YOU WILL ALSO NEED A PHILIP SCREW DRIVER (NOT PROVIDED)

STEP 1



STEP 2

