

FISHER & PAYKEL

WARMING DRAWER

WB24S models

TIROIR CHAUFFE-PLAT

Modèle WB24S

**USER GUIDE
GUIDE D'UTILISATION**

US CA

Safety and warnings	2
Introduction	4
First use	5
Using your warming drawer	6
Care and cleaning	9
Troubleshooting	10
Warranty and service	11

IMPORTANT!
SAVE THESE INSTRUCTIONS

The models shown in this user guide may not be available in all markets and are subject to change at any time. For current details about model and specification availability in your country, please go to our website fisherpaykel.com or contact your local Fisher & Paykel dealer.

SAFETY AND WARNINGS

Operation

Your warming draw has been carefully designed to operate safely during normal procedures. Please keep the following safety instructions in mind when you are using it:

WARNING!



Tipping Hazard

This product may tip. Keep children away and take care.

The supplied anti-tip bracket must be fitted:

- **if the warming drawer is installed under a F&P coffee maker.**
- **if the warming drawer is not installed directly under another product whereby its weight is sitting directly ontop of the warming drawer.**
- **if there is no fixed shelf directly above the warming drawer acting as an anti-tip obstacle.**

Failure to follow this advice may result in injury.

WARNING!



Hot Surface Hazard

Take care to avoid touching hot surfaces inside the warming drawer.

During and after use, do not touch or let clothing or other flammable materials touch the interior surfaces of the warming drawer until it has had sufficient time to cool.

Use oven mitts or other protection when handling hot dishes.

Supervise children and keep them safely away until warming draw is cool.

Failure to follow this advice could result in burns and scalds.

IMPORTANT SAFETY INSTRUCTIONS!

To reduce the risk of fire, electrical shock, injury to person, or damage when using the warming drawer, read these instructions carefully before using this product.

- **Proper Installation** - Be sure your appliance is properly installed and grounded by a qualified technician.
- Use the warming drawer only for its intended purpose as described in these instructions.
- Your warming drawer is intended for standard household use. Do not use it for commercial or industrial purposes or for any other purpose than that for which it was designed.
- Children of less than 8 years old must be kept away from the appliance unless continuously supervised.
- This appliance can be used by children aged from 8 years and above, and persons with reduced physical, sensory or mental capabilities or lack of experience and knowledge, if they have been given supervision or instruction concerning the use of the appliance in a safe way and they understand the hazards involved.
- Cleaning and user maintenance shall not be done by children without supervision.
- **WARNING:** accessible parts may become hot when the warming drawer is used. It is advisable to keep children away from it when in use.
- This product is **NOT** designed for cooking food, or keeping foodstuffs warm. Do not use this warming drawer to reheat, cook or keep food or drinks warm. Condensation from food or drinks could cause damage to the product.
- Do not lean, step or sit on the opened warming drawer as this may result serious injury or damage to the warming drawer. Do not allow children to climb on or play around the warming drawer.
- Do not overload the warming drawer. The drawer itself can hold a maximum weight of 66lbs (30kg).
- Do not use the warming drawer for storage. Forgotten goods may melt or catch fire when the warming drawer is switched on.
- Do not use the warming drawer to heat up the room. Objects near to the warming drawer could catch fire. The life of the warming drawer could also be reduced.
- Only place dry dishes in the warming drawer. Damp dishes may cause condensation that may damage the warming drawer or create steam which may cause burns to the user.
- Do not modify or attempt to modify any of the characteristics of the warming drawer. This would be dangerous to your safety and will void the warranty.
- For your safety the warming drawer is equipped with an **AUTOMATIC STOP**. After 12 hours of continuous use it will automatically switch off.
- During use the warming drawer becomes hot. Care should be taken to avoid touching heating elements inside the warming drawer.
- To minimise risk of burning yourself on the inside of the drawer, always pull the drawer out as far as it can go before removing the crockery.
- Do not insert any object into the fan element vents. Doing so may result in serious injury to yourself and damage to the warming drawer.
- If installed under a self-cleaning (pyrolytic) oven, do not use your warming drawer during the oven self-cleaning cycle.
- If the electrical supply cord is damaged, it must only be replaced by the manufacturer, its service agent or similarly qualified trades person in order to avoid a hazard.
- **CAUTION:** Do not operate your warming drawer by means of an external timer or separate remote-control system. Do not connect to a circuit that is regularly on and off the utility.

INTRODUCTION

Introducing your warming drawer

Congratulations on your new purchase. Your Fisher & Paykel warming drawer has a number of features to help ensure that your dishes are always warmed in time for use. Features of your warming drawer include:

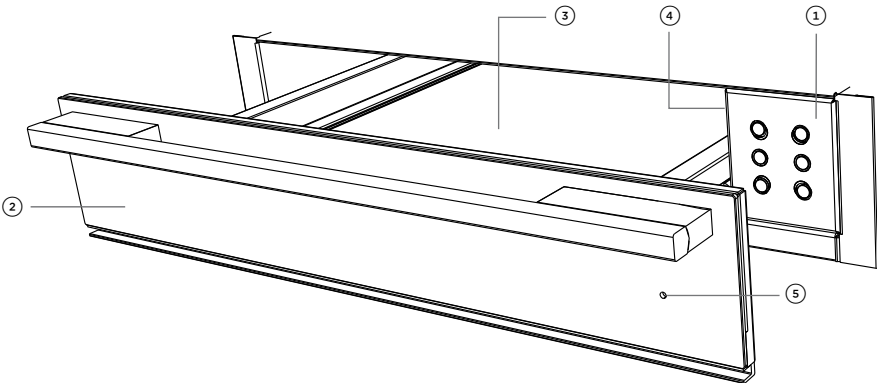
- Three temperature settings
- Two automatic timers
- Auto stop function

IMPORTANT!

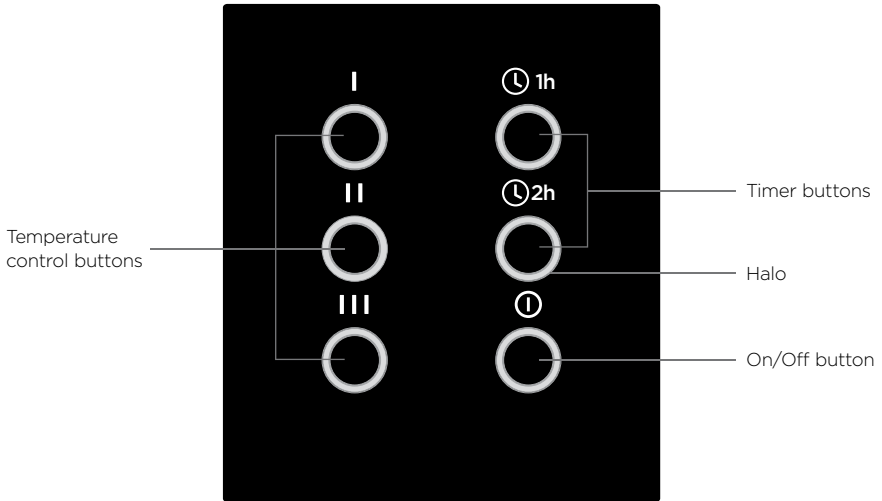
Do not use the warming drawer to re-heat, cook or keep food or drinks warm.

Before using your warming drawer

- Make sure the installer has completed the installation checklist in the installation instructions and removed all packaging and disposed of it responsibly.
- Read this guide, taking special note of the 'Safety and warnings' section.






- ① Control panel
- ② Drawer front
- ③ Glass Base
- ④ Fan element (hidden)
- ⑤ On/Off indicator light



Before first use

Heat the empty drawer for 2 hours on temperature setting 3 (III).

Some warming drawer components have a protective coating which may give off a slight smell when heated for the first time. This is normal and does not indicate a fault. Make sure the room is well ventilated.

- ① Open the drawer.
- ② Press the  button to turn the warming drawer on.
- ③ Press the  button to set the drawer temperature to setting 3.
- ④ Close the drawer.
 - Wait 2 hours and then press the  button to turn the warming drawer off.
- ⑤ Once cooled, wipe the drawer with a damp cloth, and dry thoroughly.

USING YOUR WARMING DRAWER

To warm your crockery

- ① Load your crockery carefully into the drawer.
(see 'Loading' for suggestions on positioning of crockery)

Turn the warming drawer on

- ② Press the **ⓘ** button to turn the warming drawer on.
The halo will glow red while the drawer is on.

Select a temperature

- ③ Select a temperature by pressing one of the temperature control buttons.
The halo will glow red while the drawer is on.
 - The warming drawer has three temperature settings (which are approximate depending on the load):
1 (**I**) = 113°F (45°C) 2 (**II**) = 131°F (55°C) 3 (**III**) = 149°F (65°C)
 - Only one temperature can be selected at a time.
 - If no temperature setting is selected the warming drawer will default to setting 2 (**II**).

Note: You may change the temperature setting during use.

Set the timer (optional)

- ④ The warming drawer has two pre-programmed timers (1 hour (**Ⓐ** 1h) and 2 hours (**Ⓑ** 2h).
 - To start the timer press one of the timer buttons.
 - The halo will glow red while the timer is on.
 - Only one timer can be selected at a time.
 - At the end of the timer period the warming drawer will switch off and both the on/off and timer halos will go out.
 - To turn the timer off during use, press the timer button again.
The drawer will continue to operate until switched off.

NOTE: You may turn a timer on, or change the timer selection, at any stage during use.

- If no timer is selected the warming drawer will remain on until switched off.
However, for safety reasons, after 12 hours of continuous use the warming drawer will automatically turn off.

Close the drawer

- ⑤ Close the drawer fully. This ensures the most efficient heating.
 - Your warming drawer has a 'soft closing' mechanism.
 - When the drawer is closed, the on/off light is visible through the drawer front.

Removing warm crockery

- ⑥ Crockery can be removed at any time. Refer to the following table for suggested heating times.

IMPORTANT!

Always use oven mitts to remove heated crockery from the warming drawer.

Approximate heating times

Suggested heating times for an average crockery load*.

SETTING	I	II	III
TEMPERATURE	LOW	MEDIUM	HIGH
Approximate time to heat crockery to selected temperature	40 minutes	40 minutes	40 minutes
Suggested uses	Warming coffee cups	Warming plates and serving dishes	For extra hot plates or heating serving platters
	The cup is still cool enough to touch, but will keep drinks hot for longer	This is the default setting	For occasions when it will take time to 'plate up'. Crockery will be hot - use oven mitts to avoid burns.

*Times are approximate only. Times will vary according to the thickness and material of crockery used, and the layout of the crockery in the warming drawer. Full capacity loads will take longer.

IMPORTANT!

Heated crockery cools quickly.

Do not remove items from the drawer until just before you need them.

USING YOUR WARMING DRAWER

Suggested loading scenarios

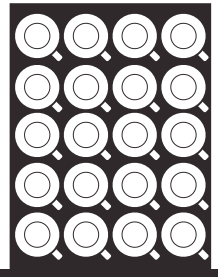
IMPORTANT!

- Do not overload your warming drawer.
- The maximum allowable weight is 66lbs (30kg).
- Distribute the load evenly.
- Only place heat resistant crockery in the drawer
- Never place plastic or aluminum foil items in the drawer as these may melt and may catch fire.

General guidelines

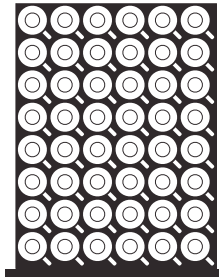
- Place cups upside down on the drawer base.
- Maximum stack height of items is 3 5/32" (80mm).
- Ensure only dry dishes are loaded into the warming drawer to avoid problems with condensation or the possibility of steam burns.
- As much as possible always distribute dishes over the surface of the drawer. Stacks of dishes take longer to heat through.
- The number of plates or cups that can be loaded depends on the size of your dishes.
- Avoid placing large serving dishes next to the fan element vents as they will cover the warm air outlet and the crockery will not heat up evenly.

Suggested loading (maximum capacity)



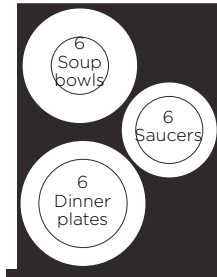
20 Cappuccino cups

Diameter guide
20x Ø3 5/8"
(92 mm)



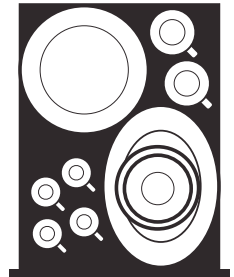
48 Espresso cups

Diameter guide
48x Ø2 9/32"
(58mm)



6 Std place settings

Diameter guide
6x Ø9 1/16" (230mm) Bowls
6x Ø7 31/64" (190mm) Saucers
6x Ø9 27/32" (250mm) Plates



Mixed load

Does

- Allow the warming drawer to cool before cleaning.
- Disconnect from power supply prior to cleaning.
- Read these cleaning instructions and the 'safety and warnings' section before cleaning.

Don'ts

- Don't use a steam cleaner.
- Don't use abrasive or harsh cleaners, scouring pads or steel wool.
Some nylon scourers may also scratch. Check the label.
- Don't use oven cleaner on any part of the warming drawer.

WHAT?	HOW?	IMPORTANT!
Stainless steel drawer front*	<ul style="list-style-type: none"> - Clean with a solution of mild detergent and hot water, then wipe dry with a microfibre cloth. - If necessary, use a suitable stainless steel cleaner and polish. 	<ul style="list-style-type: none"> - Always read the label to make sure that your stainless steel cleaner does not contain chlorine compounds as these are corrosive and may damage the appearance of your oven. - Always rub the stainless steel in the direction of the grain.
Control panel	Wipe with a damp cloth	Never spray detergent or liquid onto the buttons on the control panel. Liquid may seep behind the button and damage the electronics.
Glass drawer front*	<ul style="list-style-type: none"> - Clean with a solution of mild detergent and hot water, then wipe dry with a microfiber cloth. - If necessary use a suitable ceramic glass cooktop cleaner. 	Do not use abrasive cleaners, cloths, or pads to clean the glass. Some nylon products may also scratch, check the label first.
Glass base of drawer	From time to time use the ceramic glass cooktop cleaner for a streak free look, following the cleaner manufacturer's instructions.	
Aluminum drawer sides	Clean with a solution of mild detergent and hot water, then wipe dry with a microfiber cloth.	Do not use abrasive cleaners, cloths, or pads to clean the sides. Some nylon products may also scratch, check the label first.

* Some models only.

TROUBLESHOOTING

Warming drawer problems

If there is a problem, check the chart below to see if you can fix it.

If the problem cannot be fixed or persists, call your Authorized Repairer or Customer Care.

PROBLEM	POSSIBLE CAUSES	WHAT TO DO
<p>The warming drawer is cold and the 'On/Off' light does not work</p>	<p>The power supply is off</p>	<ul style="list-style-type: none"> - Check the warming drawer is plugged in and switched on. - Check the circuit breakers have not tripped. <p>NOTE: if there is an interruption to the power supply (ie a power cut) the warming drawer will turn off. You will need to turn the warming drawer on again.</p>
<p>The halo does not come on when I press the button, but the warming drawer is still working</p>	<p>The light is faulty</p>	<p>Call your Authorized Repairer or Customer Care</p>
<p>The crockery is not warm enough</p>	<ul style="list-style-type: none"> - The wrong heat setting has been selected. - The crockery has not been warmed for long enough. - Cookware is covering the fan element vents and preventing the flow of warm air. 	<p>Various factors affect how long the crockery will take to heat, including:</p> <ul style="list-style-type: none"> - material and thickness of the crockery - temperature setting - how the crockery is arranged - how much crockery is being heated. <p>Quoted times are <u>guidelines only</u>.</p>
<p>The on/off halo is flashing</p>	<p>Drawer has overheated</p>	<p>Press the button to turn the drawer off, wait 30 minutes to allow the drawer to cool down and switch on again. If the light begins to flash again, turn the drawer off at the mains and call your Authorized Repairer or Customer Care.</p>
<p>The warming drawer makes a 'clicking' sound when the drawer is open</p>	<p>This is normal</p>	<p>The heating fan is on a thermostat. This will switch off and on to maintain the temperature at the correct setting. The 'click' is the sound of the fan turning on or off.</p>

Before you call for service or assistance...

Check the things you can do yourself. Refer to the installation instructions and your user guide and check that:

- ① Your product is correctly installed.
- ② You are familiar with its normal operation.

If after checking these points you still need assistance or parts, please refer to the Service & Warranty book for warranty details and your nearest Authorized Service Centre, Customer Care, or contact us through our website fisherpaykel.com.

Complete and keep for safe reference:

Model _____

Serial No. _____

Purchase Date _____

Purchaser _____

Dealer _____

City _____

State _____

Zip _____

Country _____

Consignes de sécurité et mises en garde	2
Introduction	4
Première utilisation	5
Utilisation de votre tiroir chauffe-plat	6
Entretien et nettoyage	9
Dépannage	10
Garantie et service	11

IMPORTANT!**CONSERVEZ CES INSTRUCTIONS**

Les modèles illustrés dans ce guide d'utilisation peuvent ne pas être disponibles dans tous les pays et sont sujets à modifications sans préavis. Pour les plus récentes informations sur la disponibilité des modèles et des caractéristiques dans votre pays, veuillez visiter notre site Web fisherpaykel.com ou contacter votre détaillant Fisher & Paykel local.

CONSIGNES DE SÉCURITÉ ET MISES EN GARDE

Fonctionnement

Votre tiroir chauffe-plat a été soigneusement conçu pour fonctionner de façon sécuritaire lors des procédures d'utilisation normales. Veuillez respecter les consignes de sécurité suivantes lors de son utilisation :

⚠ MISE EN GARDE!



Risque de basculement

Ce produit pourrait basculer. Gardez les enfants à distance et faites preuve de prudence.

Le support antibasculement fourni doit être installé :

- si le tiroir chauffe-plat est installé sous une machine à café F&P.
- si le tiroir chauffe-plat n'est pas installé directement sous un autre produit dont le poids repose directement sur le dessus du tiroir chauffe-plat.
- si aucune tablette n'est fixée directement au-dessus du tiroir chauffe-plat pour l'empêcher de basculer.

Le non-respect de cette consigne peut entraîner des blessures.

⚠ MISE EN GARDE!



Risque de surface brûlante

Veillez à ne pas toucher les surfaces chaudes à l'intérieur du tiroir chauffe-plat.

Pendant et après l'utilisation, ne laissez pas les vêtements ou autres matières inflammables entrer en contact avec les surfaces intérieures du tiroir chauffe-plat et ne les touchez pas avant qu'elles soient refroidies. Utilisez des gants de cuisine ou toute autre protection lors de la manipulation de la vaisselle chaude.

Surveillez les enfants et gardez-les à une distance sécuritaire jusqu'à ce que le tiroir chauffe-plat ait refroidi.

Le non-respect de cette consigne peut causer des brûlures et ébouillantage.

CONSIGNES DE SÉCURITÉ IMPORTANTES!

Pour réduire les risques d'incendie, de choc électrique, de blessures ou de dommages lors de l'utilisation du tiroir chauffe-plat, lisez ces instructions attentivement avant d'utiliser ce produit.

- Utilisez le tiroir chauffe-plat uniquement pour l'usage auquel il est destiné, tel que le décrivent ces instructions.
- Votre tiroir chauffe-plat est conçu pour un usage domestique standard. Ne l'utilisez pas à des fins commerciales ou industrielles ou pour tout usage autre que celui auquel il est destiné.
- Les enfants de moins de 8 ans doivent être tenus à distance de l'appareil, à moins qu'ils ne soient continuellement supervisés.
- Cet appareil peut être utilisé par des enfants d'au moins 8 ans et des personnes aux capacités physiques, sensorielles ou mentales réduites, ou encore ne possédant pas l'expérience et les connaissances requises, s'ils sont supervisés ou ont reçu des instructions concernant l'utilisation de l'appareil d'une manière sécuritaire et s'ils comprennent bien les dangers potentiels.
- Le nettoyage et l'entretien par l'utilisateur ne doivent pas être effectués par des enfants sans supervision.
- MISE EN GARDE : des pièces accessibles peuvent devenir chaudes pendant l'utilisation du tiroir chauffe-plat.
Il est conseillé de garder les enfants à distance pendant l'utilisation.
- Ce produit n'est PAS conçu pour cuire ou maintenir au chaud des aliments. N'utilisez pas ce tiroir chauffe-plat pour réchauffer, cuire ou maintenir au chaud des aliments ou boissons. La condensation produite par les aliments ou boissons pourrait endommager le produit.
- Ne montez et ne vous appuyez ou appuyez pas sur le tiroir chauffe-plat ouvert, car cela pourrait entraîner des blessures graves ou des dommages au tiroir chauffe-plat. Ne laissez pas les enfants grimper sur le tiroir chauffe-plat ou jouer à proximité de celui-ci.
- Ne surchargez pas le tiroir chauffe-plat. Le tiroir peut supporter un poids maximal de 66 lb (30 kg).
- N'utilisez pas le tiroir chauffe-plat pour le rangement. Des objets oubliés pourraient fondre ou s'enflammer lors de la mise en marche du tiroir chauffe-plat.
- N'utilisez pas le tiroir chauffe-plat pour chauffer la pièce. Des objets à proximité du tiroir chauffe-plat pourraient s'enflammer. La durée de vie du tiroir chauffe-plat pourrait également être réduite.
- Placez uniquement de la vaisselle sèche dans le tiroir chauffe-plat. La vaisselle humide pourrait causer de la condensation risquant d'endommager le tiroir chauffe-plat ou de produire de la vapeur pouvant provoquer des brûlures.
- Ne tentez de modifier aucune des caractéristiques du tiroir chauffe-plat. Cela serait dangereux pour votre sécurité et entraînerait l'annulation de la garantie.
- Pour votre sécurité, le tiroir chauffe-plat est équipé d'une fonction d'ARRÊT AUTOMATIQUE.
Après 12 heures d'utilisation continue, il s'éteint automatiquement.
- Le tiroir chauffe-plat devient chaud pendant l'utilisation. Veillez à ne pas toucher aux éléments chauffants à l'intérieur du tiroir chauffe-plat.
- Pour éviter de vous brûler sur les parties internes de l'appareil, ouvrez toujours le tiroir autant que possible avant de retirer la vaisselle.
- N'insérez aucun objet dans les fentes d'élément de ventilation. Cela pourrait entraîner des blessures graves et des dommages au tiroir chauffe-plat.
- Si l'appareil est installé sous un four autonettoyant (pyrolytique), n'utilisez pas votre tiroir chauffe-plat pendant le cycle d'auto-nettoyage du four.
- Si le cordon d'alimentation électrique est endommagé, vous devez le faire remplacer uniquement par le fabricant, un agent de service ou une personne de métier possédant des compétences similaires afin d'éviter tout danger.
- ATTENTION : Ne faites pas fonctionner votre tiroir chauffe-plat en utilisant une minuterie externe ou un système de contrôle à distance distinct. Ne raccordez pas l'appareil à un circuit qui est régulièrement activé et désactivé.

INTRODUCTION

Présentation de votre tiroir chauffe-plat

Nous vous félicitons pour ce nouvel achat. Votre tiroir chauffe-plat Fisher & Paykel propose de nombreuses caractéristiques qui vous aideront à chauffer votre vaisselle à temps pour l'utilisation. Les caractéristiques de votre tiroir chauffe-plat comprennent :

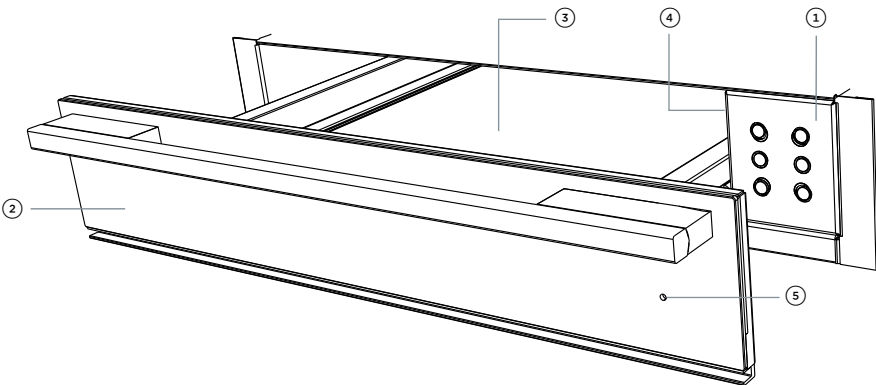
- Trois réglages de température
- Deux minuteries automatiques
- Fonction d'arrêt automatique

IMPORTANT!

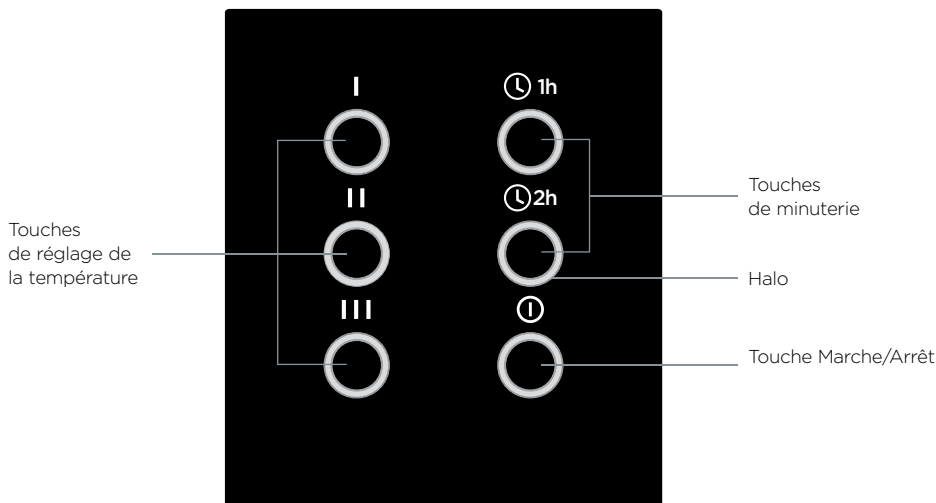
N'utilisez pas le tiroir chauffe-plat pour réchauffer, cuire ou maintenir au chaud des aliments ou boissons.

Avant l'utilisation de votre tiroir chauffe-plat

- Assurez-vous que l'installateur a pris le temps de remplir la liste de vérification dans les instructions d'installation et retiré tous les matériaux d'emballage afin de les mettre au rebut de manière responsable.
- Lisez ce guide en portant une attention particulière à la section 'Consignes de sécurité et mises en garde'.



- ① Panneau de commande
- ② Devant de tiroir
- ③ Base en verre
- ④ Élément de ventilation (dissimulé)
- ⑤ Témoin Marche/Arrêt



Avant la première utilisation

Chauffez le tiroir vide pendant 2 heures au réglage de température 3 (III).

Certains composants du tiroir chauffe-plat sont dotés d'un revêtement protecteur qui pourrait produire une légère odeur lorsqu'ils sont chauffés pour la première fois. Cela est normal; il ne s'agit pas d'un problème de fonctionnement. Assurez-vous que la pièce est bien aérée.

- ① Ouvrez le tiroir.
- ② Appuyez sur la touche ① pour mettre en marche le tiroir chauffe-plat.
- ③ Appuyez sur la touche III pour régler la température du tiroir au réglage 3.
- ④ Fermez le tiroir.
 - Attendez 2 heures, puis appuyez sur la touche ① pour éteindre le tiroir chauffe-plat.
- ⑤ Une fois le tiroir refroidi, essuyez-le avec un chiffon humide, puis séchez-le soigneusement.

UTILISATION DE VOTRE TIROIR CHAUFFE-PLAT

Pour chauffer votre vaisselle

- ① Chargez votre vaisselle délicatement dans le tiroir.
(consultez la section 'Chargement' pour des suggestions sur le positionnement de la vaisselle)

Mettez en marche le tiroir chauffe-plat

- ② Appuyez sur la touche **Ⓛ** pour mettre en marche le tiroir chauffe-plat.
Le halo s'allume en rouge pendant que le tiroir est en marche.

Sélectionnez une température

- ③ Sélectionnez une température en appuyant sur l'une des touches de réglage de la température.

Le halo s'allume en rouge pendant que le tiroir est en marche.

- Le tiroir chauffe-plat propose trois réglages de température (les températures sont approximatives, selon la charge) :

1 (|) = 113 °F (45 °C) 2 (||) = 131 °F (55 °C) 3 (|||) = 149 °F (65 °C)

- Une seule température peut être sélectionnée à la fois.
- Si aucune température n'est sélectionnée, le tiroir chauffe-plat est réglé par défaut au réglage 2 (||).

Remarque : Vous pouvez modifier le réglage de température pendant l'utilisation.

Réglez la minuterie (étape optionnelle)

- ④ Le tiroir chauffe-plat possède deux minuteries préprogrammées (1 heure (Ⓛ 1h) et 2 heures (Ⓛ 2h)).

- Pour démarrer la minuterie, appuyez sur l'une des touches de minuterie.
- Le halo s'allume en rouge pendant que la minuterie est activée.
- Une seule minuterie peut être sélectionnée à la fois.
- Une fois la durée de la minuterie écoulée, le tiroir chauffe-plat s'éteint et les halos de mise en marche/arrêt et de minuterie s'éteignent.
- Pour désactiver la minuterie pendant l'utilisation, appuyez de nouveau sur la touche de minuterie.
Le tiroir continue de fonctionner jusqu'à ce qu'il soit éteint.

REMARQUE : Vous pouvez activer une minuterie ou modifier la sélection de minuterie à tout moment pendant l'utilisation.

- Si aucune minuterie n'est sélectionnée, le tiroir chauffe-plat demeure en marche jusqu'à ce qu'il soit éteint.
Toutefois, pour des raisons de sécurité, le tiroir chauffe-plat s'éteint automatiquement après 12 heures d'utilisation continue.

Fermez le tiroir

- ⑤ Fermez le tiroir complètement. Cela permet d'assurer un chauffage optimal.
- Votre tiroir chauffe-plat est muni d'un mécanisme de 'fermeture en douceur'.
 - Lorsque le tiroir est fermé, le témoin Marche/Arrêt est visible à l'avant du tiroir.

Retrait de la vaisselle chaude

- ⑥ La vaisselle peut être retirée à tout moment. Reportez-vous au tableau suivant pour les durées de chauffage conseillées.

IMPORTANT!

Utilisez toujours des gants de cuisine pour retirer la vaisselle chaude du tiroir chauffe-plat.

Durées de chauffage approximatives

Durées de chauffage conseillées pour une quantité de vaisselle moyenne*.

RÉGLAGE	I	II	III
TEMPÉRATURE	BASSE	MOYENNE	ÉLEVÉE
Durée approximative pour chauffer la vaisselle à la température sélectionnée	40 minutes	40 minutes	40 minutes
Utilisations conseillées	Chauffage des tasses à café	Chauffage des assiettes et plats de service	Pour des assiettes très chaudes ou le chauffage des plats de service
	La tasse est toujours suffisamment froide au toucher, mais les boissons seront chaudes plus longtemps	Il s'agit du réglage par défaut	Pour les occasions où la préparation des assiettes prend un certain temps. La vaisselle sera chaude - utilisez des gants de cuisine pour éviter de vous brûler.

*Les durées sont uniquement approximatives. Les durées varient selon l'épaisseur et les matériaux de la vaisselle utilisée, ainsi que la disposition de la vaisselle dans le tiroir chauffe-plat. Les charges à pleine capacité prennent plus de temps.

IMPORTANT!

La vaisselle chauffée refroidit rapidement.

Ne retirez les articles du tiroir qu'au moment de les utiliser.

UTILISATION DE VOTRE TIROIR CHAUFFE-PLAT

Scénarios de chargement conseillés

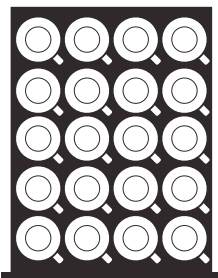
IMPORTANT!

- **Ne surchargez pas votre tiroir chauffe-plat.**
- **Le poids admissible maximal est 66 lb (30 kg).**
- **Répartissez la charge uniformément.**
- **Placez uniquement de la vaisselle résistante à la chaleur dans le tiroir.**
- **Ne placez jamais d'articles en plastique ou papier d'aluminium dans le tiroir, car ils pourraient fondre et s'enflammer.**

Directives générales

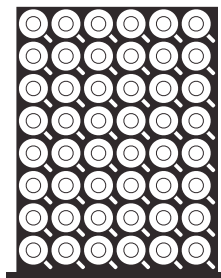
- Placez les tasses à l'envers sur la base du tiroir.
- La hauteur de superposition maximale des articles est 3 5/32" (80 mm).
- Assurez-vous de charger uniquement de la vaisselle sèche dans le tiroir chauffe-plat pour éviter les problèmes de condensation ou la possibilité de brûlures causées par la vapeur.
- Répartissez toujours autant que possible la vaisselle sur la surface du tiroir. La vaisselle superposée prend toujours plus de temps à chauffer.
- Le nombre d'assiettes ou de tasses pouvant être chargées dépend de la taille de votre vaisselle.
- Évitez de placer de grands plats de service à proximité des fentes d'élément de ventilation, car ils recouvriraient la sortie d'air chaud et la vaisselle ne serait pas chauffée uniformément.

Charge conseillée (capacité maximale)



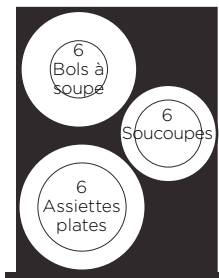
20 tasses à cappuccino

Guide de diamètre
20x Ø 3 5/8"
(92 mm)



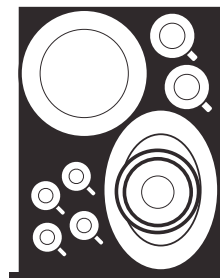
48 tasses à expresso

Guide de diamètre
48x Ø 2 9/32"
(58 mm)



6 couverts standard

Guide de diamètre
6x bols Ø 9 1/16" (230 mm)
6x soucoupes Ø 7 31/64" (190 mm)
6x assiettes Ø 9 27/32" (250 mm)



Charge mixte

À faire

- Laissez refroidir le tiroir chauffe-plat avant le nettoyage.
- Déconnectez-le de l'alimentation électrique avant le nettoyage.
- Lisez ces instructions de nettoyage et la section 'Consignes de sécurité et mises en garde' avant le nettoyage.

À ne pas faire

- N'utilisez pas de nettoyeur à vapeur.
- N'utilisez pas de nettoyeurs abrasifs ou puissants, de tampons à récurer ou de laines d'acier. Certains tampons à récurer en nylon peuvent également causer des égratignures. Vérifiez l'étiquette.
- N'utilisez pas de produits à nettoyer les fours sur une pièce quelconque du tiroir chauffe-plat.

QUELLE PIÈCE?	COMMENT?	IMPORTANT!
Devant de tiroir en acier inoxydable*	<ul style="list-style-type: none"> - Nettoyez à l'aide d'une solution de détergent doux et d'eau chaude, puis séchez à l'aide d'un chiffon à microfibrés. - Si nécessaire, utilisez un produit nettoyant ou à polir adéquat pour acier inoxydable. 	<ul style="list-style-type: none"> - Lisez toujours l'étiquette afin de vous assurer que votre nettoyant pour acier inoxydable ne contient pas de composés de chlore, car ces derniers sont corrosifs et pourraient endommager le fini de votre appareil. - Frottez toujours l'acier inoxydable dans le sens des lignes de poli.
Panneau de commande	Essuyez avec un chiffon humide.	Ne vaporisez jamais de détergent ou de liquide sur les touches du panneau de commande. Le liquide pourrait s'infiltrer derrière les touches et endommager les circuits électroniques.
Devant de tiroir en verre*	<ul style="list-style-type: none"> - Nettoyez à l'aide d'une solution de détergent doux et d'eau chaude, puis séchez à l'aide d'un chiffon à microfibrés. - Si nécessaire, utilisez un nettoyant à surface de cuisson en verre céramique. De temps à autre, utilisez un nettoyant à surface de cuisson en verre céramique pour conférer un aspect sans stries à l'appareil, en suivant les instructions du fabricant. 	N'utilisez pas de nettoyeurs, chiffons ou tampons abrasifs pour nettoyer le verre. Certains produits en nylon peuvent également causer des égratignures; vérifiez d'abord l'étiquette.
Base en verre du tiroir		
Côtés de tiroir en aluminium	Nettoyez à l'aide d'une solution de détergent doux et d'eau chaude, puis séchez à l'aide d'un chiffon à microfibrés.	N'utilisez pas de nettoyeurs, chiffons ou tampons abrasifs pour nettoyer les côtés. Certains produits en nylon peuvent également causer des égratignures; vérifiez d'abord l'étiquette.

* Certains modèles uniquement.

DÉPANNAGE

Problèmes du tiroir chauffe-plat

En cas de problème, consultez le tableau ci-dessous pour tenter de le résoudre.
Si le problème persiste ou que vous ne parvenez pas à le résoudre, appelez un réparateur autorisé ou l'assistance à la clientèle.

PROBLÈME	CAUSES POSSIBLES	SOLUTIONS
Le tiroir chauffe-plat est froid et le témoin 'Marche/Arrêt' ne fonctionne pas	L'alimentation électrique est interrompue	<ul style="list-style-type: none">- Vérifiez que le tiroir chauffe-plat est branché et mis en marche.- Vérifiez que les disjoncteurs ne sont pas déclenchés. <p>REMARQUE : en cas d'interruption de l'alimentation électrique (par ex. : lors d'une panne de courant), le tiroir chauffe-plat s'éteint. Vous devrez remettre en marche le tiroir chauffe-plat.</p>
Le halo ne s'allume pas lorsque j'appuie sur la touche, mais le tiroir chauffe-plat fonctionne toujours	La lumière est défectueuse	Appelez un réparateur autorisé ou l'assistance à la clientèle.
La vaisselle n'est pas suffisamment chaude	<ul style="list-style-type: none">- Un réglage de chaleur inadéquat a été sélectionné.- La vaisselle n'a pas été chauffée suffisamment longtemps.- Des plats recouvrent les fentes d'élément de ventilation et empêchent la circulation de l'air chaud.	Divers facteurs affectent la durée requise pour le chauffage de la vaisselle, notamment : <ul style="list-style-type: none">- les matériaux et l'épaisseur de la vaisselle- le réglage de température- la disposition de la vaisselle- la quantité de vaisselle chauffée. Les durées sont présentées uniquement à titre de référence.
Le halo Marche/Arrêt clignote	Le tiroir a surchauffé	Appuyez sur la touche pour éteindre le tiroir, attendez 30 minutes pour permettre au tiroir de refroidir, puis remettez-le en marche. Si le halo recommence à clignoter, éteignez l'appareil en interrompant l'alimentation électrique et appelez un réparateur autorisé ou l'assistance à la clientèle.
Le tiroir chauffe-plat produit un son de 'cliquetis' lorsque le tiroir est ouvert	Cela est normal	Le ventilateur de chauffage est muni d'un thermostat qui se désactive et s'active pour maintenir la température au réglage adéquat. Le 'cliquetis' est le son produit par le ventilateur lors de l'activation et la désactivation.

Avant d'effectuer un appel de service ou une demande d'assistance...

Vérifiez les points que vous pouvez contrôler vous-même. Consultez les instructions d'installation et le guide d'utilisation pour vous assurer que :

- ① Votre produit est installé correctement.
- ② Vous êtes familier avec son fonctionnement normal.

Si après la vérification de ces points, vous avez toujours besoin d'assistance ou de pièces, reportez-vous au manuel d'entretien et de garantie pour obtenir des informations sur la garantie et les coordonnées d'un centre de service autorisé ou de l'assistance à la clientèle, ou contactez-nous par l'entremise de notre site Web fisherpaykel.com.

Remplir et conserver pour référence ultérieure :

Modèle _____

N° de série _____

Date d'achat _____

Acheteur _____

Détaillant _____

Banlieue _____

Ville _____

Pays _____

FISHERPAYKEL.COM

© Fisher & Paykel Appliances 2017. All rights reserved.

The product specifications in this booklet apply to the specific products and models described at the date of issue. Under our policy of continuous product improvement, these specifications may change at any time. You should therefore check with your Dealer to ensure this booklet correctly describes the product currently available.

© Fisher & Paykel Appliances 2017. Tous droits réservés.

Les caractéristiques de produit présentées dans ce livret s'appliquent aux modèles et produits spécifiques qui y sont décrits à la date de publication. Dans le cadre de notre politique d'amélioration en permanence de nos produits, ces caractéristiques peuvent être modifiées à tout moment. Nous vous recommandons de vérifier auprès de votre détaillant que ce livret décrit le produit actuellement disponible.

US CA

591495A 12.17