



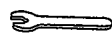
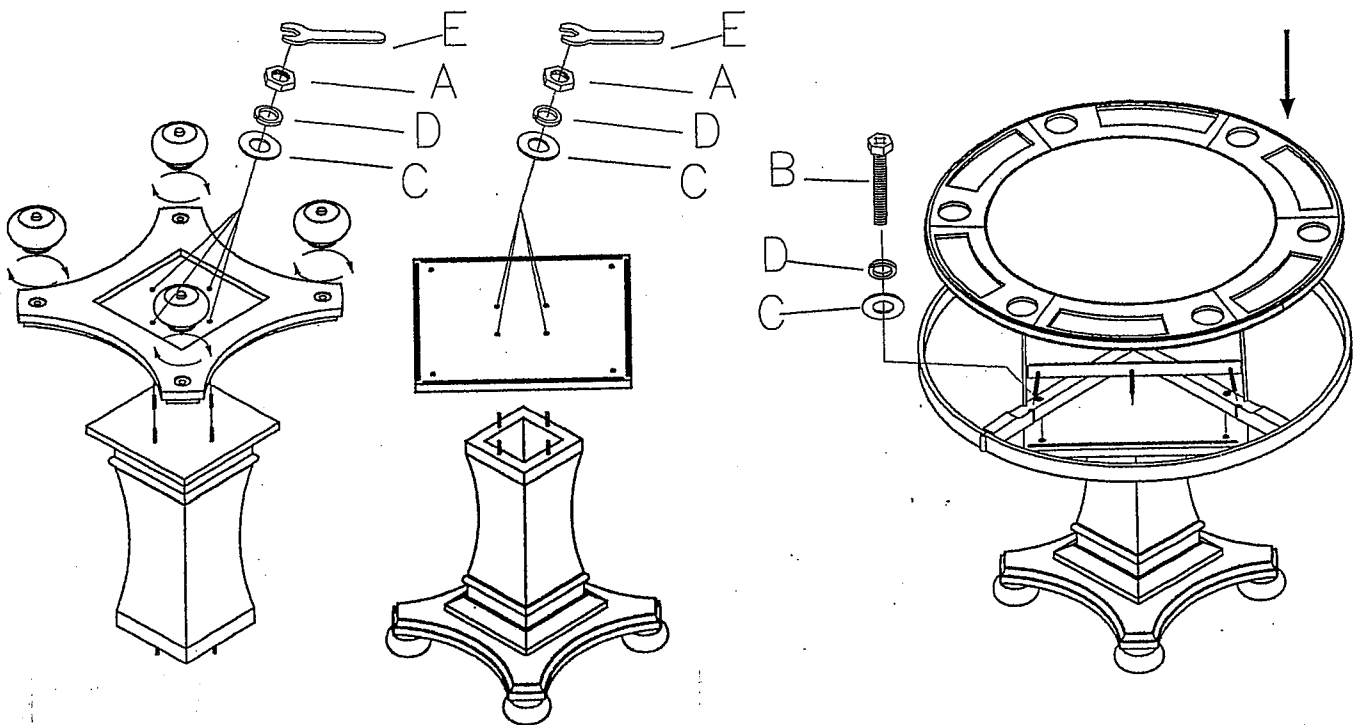
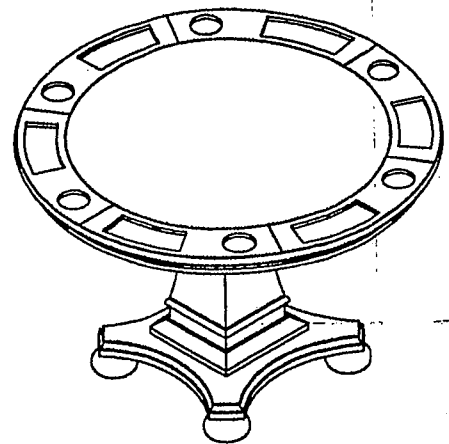


ASSEMBLY INSTRUCTIONS

PARTS LIST

| | | | | |
|---|---|-------------|-------------|--------|
| A |  | NUT | 5/16*5.5 | 8 PCS |
| B |  | BOLT | 5/16*2-1/4" | 4 PCS |
| C |  | FLAT WASHER | 5/16*19 | 12 PCS |
| D |  | LOCK WASHER | 5/16*14 | 12 PCS |
| E |  | SPANNER | 5/16 | 1 PC |



SINCE HARDWOODS AND VENEERS ARE USED IN THIS FURNITURE, THERE MAY BE VARIATIONS IN COLOR, SHADE AND PATTERN. WOOD IS A NATURAL MATERIAL, NO TWO PIECES OF WOOD OR VENEER ARE EXACTLY ALIKE. AS A RESULT EACH PIECE TAKES THE STAIN DIFFERENTLY. IT IS THIS VARIATION THAT MAKES WOOD AND VENEER SO BEAUTIFUL.

TO CLEAN: TREAT THIS FURNITURE AS YOU WOULD ANY FINE FURNITURE. DUST WITH A CLEAN SOFT CLOTH AND USE A HIGH QUALITY FURNITURE POLISH. DO NOT USE ANY CLEANERS CONTAINING ALCOHOLS, ACETONES, OR OTHER STRONG SOLVENTS.