

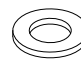


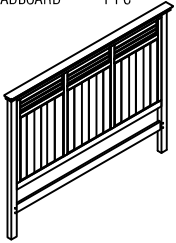
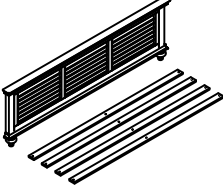
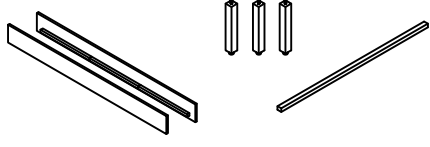
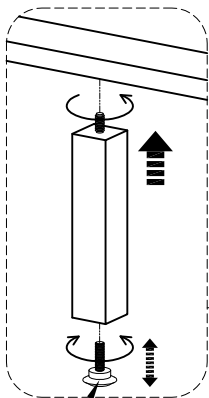
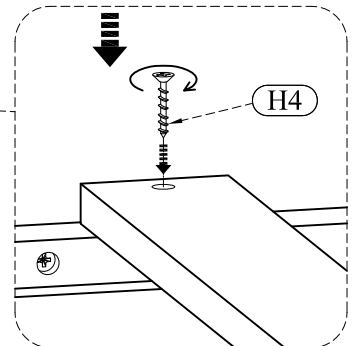
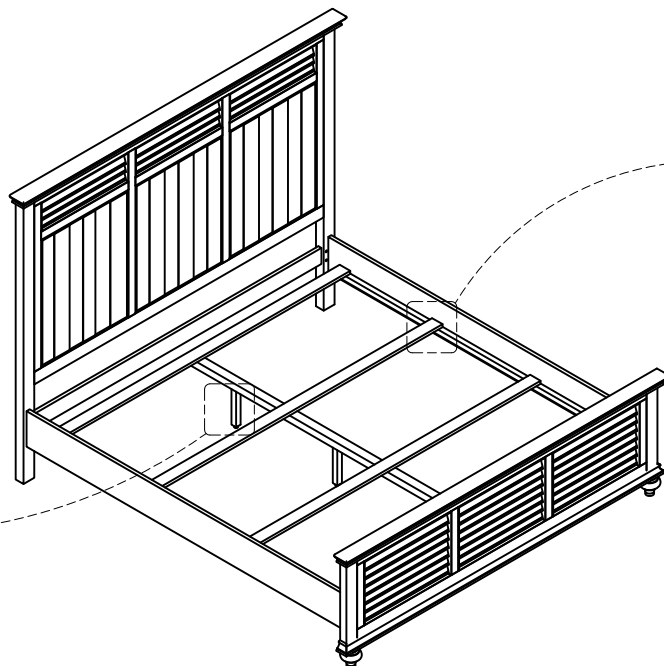
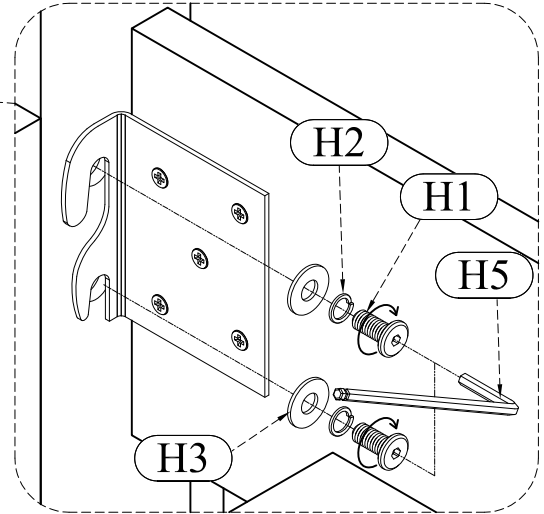
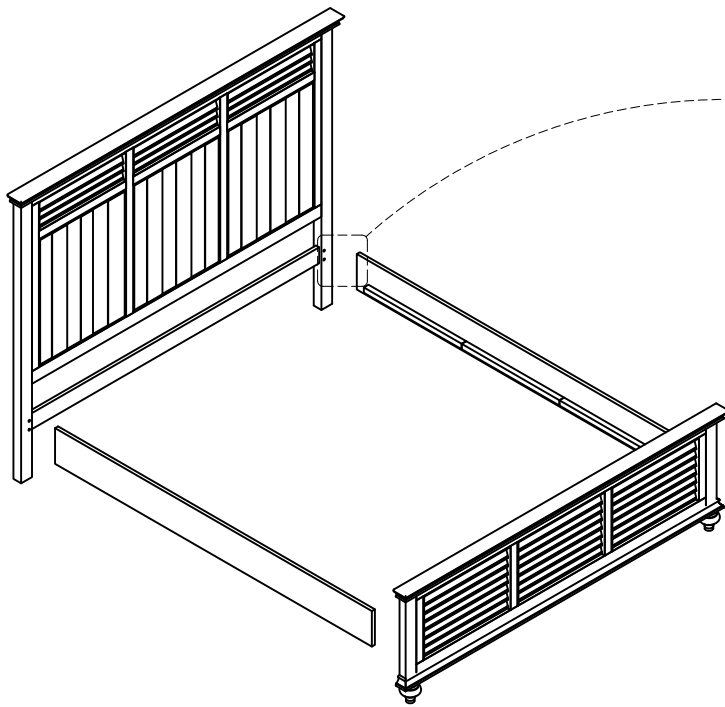
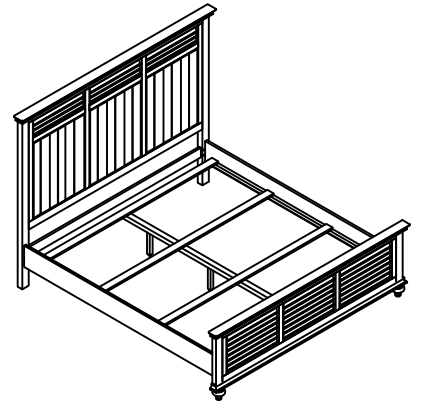


Assembly Instructions

Components and Hardware List

 Ø8 x 20mm Allen Head Bolt (H1) 8 pcs.	 Ø9 x Ø13mm Spring Washer (H2) 8 pcs.	 Ø8 x Ø20mm Flat Washer (H3) 8 pcs.	 Ø4 x 25mm Wood Screw (H4) 12 pcs.	 4 x 110mm Wrench (H5) 1 pc.
BOX #1 A. HEADBOARD 1 PC 	BOX #2 B. FOOTBOARD 1 PC C. BED SLATS 4 PCS 	BOX #3 D. SIDERAILS 2 PCS E. CENTER SUPPORT 1 PC F. LEG SUPPORTS 3 PCS G. HARDWARE BOX 		



leveling