

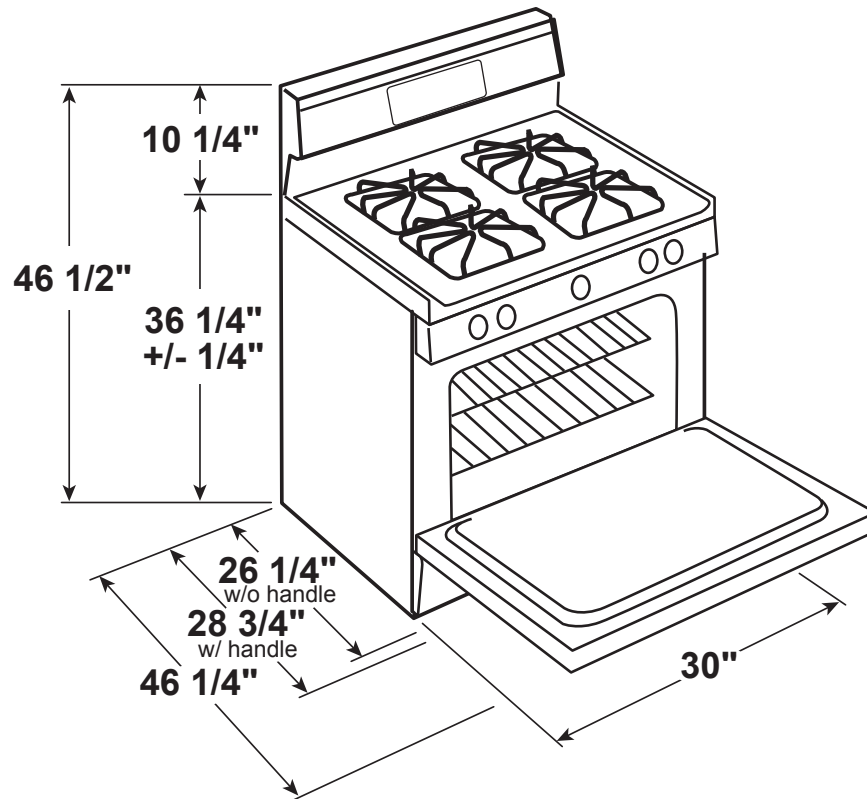
JGBS10DEM

GE® 30" Free-Standing Front Control Gas Range

DIMENSIONS AND INSTALLATION INFORMATION

ELECTRICAL RATING: 120V, 60Hz, 15A

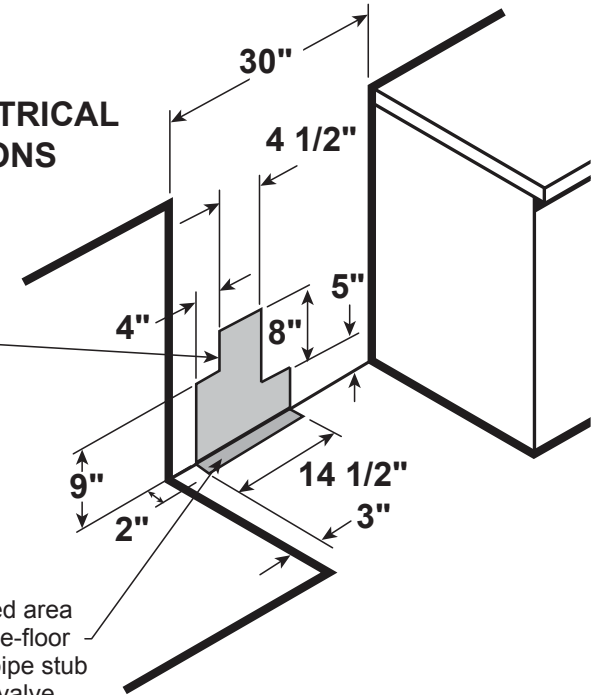
INSTALLATION INFORMATION: Before installing, consult installation instructions packed with product for current dimensional data.



GAS PIPE AND ELECTRICAL OUTLET LOCATIONS

Recommended area for 240V outlet on rear wall and area for through-the-wall connection of pipe stub and shut-off valve.

Recommended area for through-the-floor connection of pipe stub and shut-off valve.



For answers to your Monogram, GE Café™ Series, GE Profile™ Series or GE Appliances product questions, visit our website at geappliances.com or call GE Answer Center® Service, 800.626.2000.



All GE Appliances ranges are equipped with an Anti-Tip device. The installation of this device is an important, required step in the installation of the range.

JGBS10DEM

GE® 30" Free-Standing Front Control Gas Range

FEATURES AND BENEFITS

Front controls – Minimize need to reach

4.8 cu. ft. oven capacity – Enough room to cook an entire meal at once

Sealed cooktop burners – Contains spills and make cleaning quick and easy

Heavy-duty grates – Durable grates are easy to clean and can hold a wide variety of cookware on the stove

Broil option – A versatile heating element allows for more cooking options in the oven

Standard clean oven – Smooth surface makes cleaning by hand easier

Model JGBS10DEMBB – Black

Model JGBS10DEMWW – White

