

LTE4815_

Electric Double Oven Slide-In

ProBake Convection®

EasyClean®

Glass Touch (SmoothTouch™)

WideView™ Window

Slide-in Design

Large Capacity (7.3 cu ft.)

SmartDiagnosis™

wi-fi Connectivity



CAPACITY	
Total Oven Capacity (cu.ft.)	7.3
Upper Oven Capacity (cu. ft.)	3.0
Lower Oven Capacity (cu. ft.)	4.3
COOKTOP	
Burner/BTU - Left Rear	6" - 1,200W
Burner/BTU - Right Rear	6" - 1,200W
Burner/BTU - Left Front	9" 6" / 3,200W 1,400W
Burner/BTU - Right Front	12" 9" 6" - 3,000W / 2,200W / 1,100W
Center (Warming Zone) (BTU)	7" - 100W
Cooktop Finish	Grey Patterned on Black Ceramic Glass
Hot Surface LED Indicator	Yes
UPPER OVEN FEATURES	
Configuration	Electric
Broil Element (Watts/h)	Charcoal 3,000W (Infrared Grill)
Bake Element (Watts/h)	2,400W / 4 Pass (Exposed Bake)
Oven Cooking	Conventional
Oven Cooking Modes	Bake, Broil, Delay Bake, Delay Clean
Oven Control Features	Glass Touch (SmoothTouch™)
EasyClean®	Yes
Self Clean	Yes
GoCook Smart Oven Light	Yes (1 Light)
No. of Rack Positions	2
Door Lock	Yes
LOWER OVEN FEATURES	
Broil Element (Watts)	3,800W / 6 Pass
Convection Burner (Watts)	2500W / 2 Turn (ProBake Convection®)
Convection Conversion	Yes
Oven Cooking Modes	Bake, Broil, Convection Bake, Convection Roast, Delay Bake, Delay Clean, Proof, Warm
Oven Control Features	Glass Touch (SmoothTouch™)
EasyClean®	Yes
Self Clean	Yes
GoCook Smart Oven Light	Yes (1 Light)
No. of Rack Positions	4
Door Lock	Yes
Auto Safety Shut-Down	After 12 Hours
CONTROL	
Cooktop Control Type	Control Knobs
Oven Control Type	Glass Touch (SmoothTouch™) and Control Knob
Display	VFD
Language	English
Clock	Yes
Temperature Unit of Measure	Fahrenheit / Celsius
Cooking Complete Reminder Volume	Beep

APPEARANCE	
All Available Colors	Matte Black Stainless Steel, Black Stainless Steel, Stainless Steel
Handle/Knobs	Matte Black Stainless Steel, Black Stainless Steel, Stainless Steel
Knobs	Aluminum
Oven Door Feature	WideView™ Window
PrintProof™ Finish	Yes (only LTE4815BM & LTE4815BD)
SMARTTHINQ®	
SmartDiagnosis™	Yes
wi-fi Connectivity	Yes
DIMENSIONS/CLEARANCES/WEIGHT	
Shipping Weight (lbs)	231
Product Weight (lbs)	189
Cabinet Width (in)	30"
Overall Depth (in) - including handle	28 15/16"
Overall Width (in)	29 7/8"
Oven Interior Dimensions (Upper) (in) (W x H x D)	24 13/16" x 10 13/16" x 20"
Oven Interior Dimensions (Lower) (in) (W x H x D)	24 13/16" x 14 1/4" x 20"
Height to Cooking Surface (in)	36"
Carton Dimensions (in) (W x H x D)	31 31/32" x 51" x 30 17/32"
POWER/RATINGS	
Amp at 208V / 240V	55.8A / 64.6A
kW at 208V / 240V	11.6kW / 15.5kW
ACCESSORIES	
Gliding Rack	1
Standard Rack	1
Offset Rack	1
Meat Probe	Yes
Spray Bottle	Yes
Scouring Pad	Yes
Cooktop Cream/Cleaner	Yes
WARRANTY	
Parts & Labor	1 Year
UPC CODES	
LTE4815BM (Matte Black Stainless Steel)	048231339797
LTE4815BD (Black Stainless Steel)	048231339780
LTE4815ST (Stainless Steel)	048231339773

LG COOKING

LTE4815

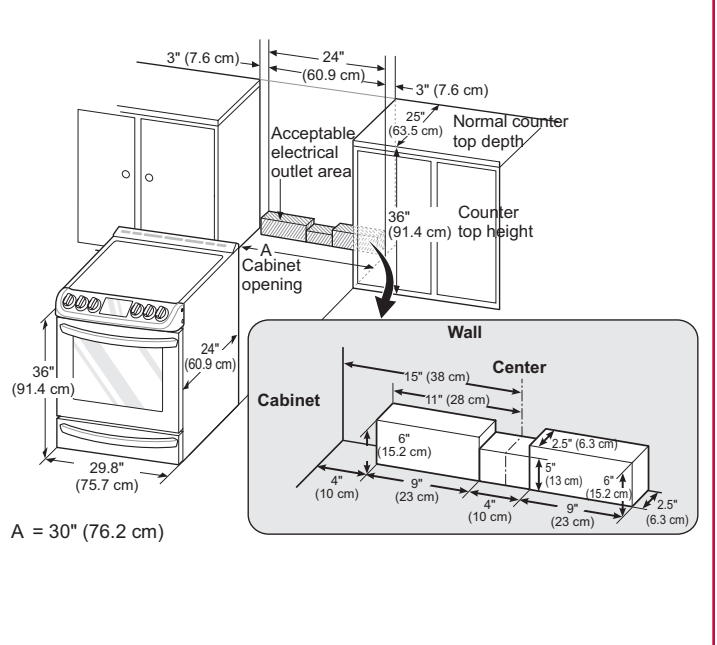
Electric Double Oven Slide-In

QUICK INSTALL & CLEARANCES

For full installation directions/clearances please refer to the corresponding User Manual and Installation Guide.

DIMENSIONS/CLEARANCES/WEIGHT	
Cabinet Width (in)	30"
Overall Depth (in) - including handle	28 15/16"
Overall Width (in)	29 7/8"
Oven Interior Dimensions (Upper) (in) (W x H x D)	24 13/16" x 10 13/16" x 20"
Oven Interior Dimensions (Lower) (in) (W x H x D)	24 13/16" x 14 1/4" x 20"
Height to Cooking Surface (in)	36"
Carton Dimensions (in) (W x H x D)	31 31/32" x 51" x 30 17/32"
POWER/RATINGS	
Amp at 208V / 240V	55.8A / 64.6A
kW at 208V / 240V	11.6kW / 15.5kW

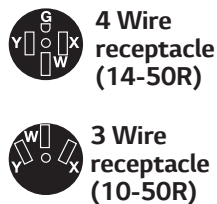
DIMENSIONS AND CLEARANCES



ELECTRICAL REQUIREMENTS

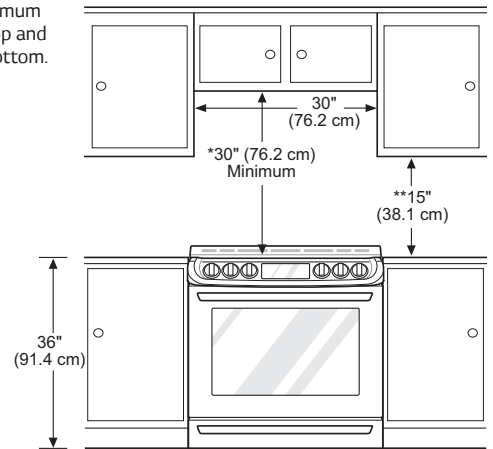
- This appliance must be installed and grounded on a branch circuit by a qualified technician in accordance with the National Electrical code ANSI/NFPA NO. 70 - latest edition.
- All wiring should conform to Local and NEC codes. This range requires a single-phase, 3 wire, A.C 120/208 V or 120/240 V 60 Hz electrical system. Use only a 3-conductor or a 4-conductor UL - listed range cord with closed-loop terminals, open-end spade lugs with upturned ends or similar termination. Do not install the power cord without a strain relief.
- A range cord rated at 40 amps with 120/240 minimum volt range is required. If a 50 amp range cord is used, it should be marked for use with 13/8" diameter connection openings. This appliance may be connected by means of a conduit or power cord. If a conduit is being used, check the Owners Manual for 3 wire conduit connections or 4 wire conduit connections.

Specified power-supply-cord kit rating			Diameter (inches) of Range connection Opening	
Range rating, watts		Specified rating of power supply-cord kit, amperes	Power cord	Conduit
120/240 volts 3-wire	120/208 volts 3-wire		40 or 50A 50	1 3/8"
8,750 - 16,500	7,801 - 12,500	1 3/4"		1 3/8"
16,501 - 22,500	12,501 - 18,500			



MINIMUM DIMENSIONS

- * 30" (76.2 cm) minimum clearance between the top of the cooking surface and the bottom of an unprotected wood or metal cabinet; or 24" (60.9 cm) minimum when bottom of wood or metal cabinet is protected by not less than 1/4" (6.4 cm) flame retardant millboard covered with not less than no. 28 MSG sheet steel, 0.015" (0.381 mm) stainless steel, 0.024" (0.610 mm) aluminum or 0.020" (0.508mm) copper.
- ** 15" (38.1 cm) minimum between countertop and adjacent cabinet bottom.



WARNING

- Allow 2 to 3 ft (61.0 cm to 91.4 cm) of slack in the line so that the range can be moved if servicing is ever necessary.
- The power supply cord and plug should not be modified. If it will not fit the outlet, have a proper outlet installed by a qualified electrician.
- Using an extension cord to connect the power is prohibited. Connect the power cord and plug directly.
- Electrical ground is required on this appliance.
- Make sure that the power cord is not pinched by the range or heavy objects. Failure to do so can result in serious burns or electrical shock.

