



# 30-INCH PRO ALL-GAS RANGE

HGPR30 | HERITAGE COLLECTION



## AVAILABLE MODELS

HGPR30S/NG/H	30" Heritage All Gas Pro Range - Natural Gas High Altitude
HGPR30S/NG	30" Heritage All Gas Pro Range - Stainless Steel Natural Gas
HGPR30S/LP/H	30" Heritage All Gas Pro Range - Stainless Steel Liquid Propane High Altitude
HGPR30S/LP	30" Heritage All Gas Pro Range - Stainless Steel Liquid Propane
HGPR30C/NG/H	30" Heritage All Gas Pro Range - Color Match Natural Gas High Altitude
HGPR30C/NG	30" Heritage All Gas Pro Range - Color Match Natural Gas
HGPR30C/LP/H	30" Heritage All Gas Pro Range - Color Match Liquid Propane High Altitude
HGPR30C/LP	30" Heritage All Gas Pro Range - Color Match Liquid Propane

## FEATURES & BENEFITS

- Three-Part Convection System – air baffle, fan and removable convection filter to precisely distribute heat for superior cooking results.
- Large oven capacity - 5.2 cu. ft.
- 4 Dual-Stack Sealed Burners.
- Powerful 18K BTU and true simmer burners.
- Illumina™ Knobs - White LED.
- Continuous Grate Platform.
- All Brass Valves, Heads and Caps.
- Self-cleaning oven.
- Downdraft compatible.

## ADDITIONAL FEATURES

CLEANING TYPE	SELF CLEAN
TYPE OF GRATE	CONTINUOUS CAST IRON
CAVITY	BLACK ENAMEL COATING
OVEN RACK POSITIONS	6
LIGHTING	LED & HALOGEN

## WARRANTY

LIMITED, PARTS AND LABOR	1 YEAR
--------------------------	--------

## ACCESSORIES (INCLUDED)

GLIDERACK™	2
STANDARD RACK	1
WOK RING	1
REMOVABLE CONVECTION FILTER	1
BRASS/BLACK PORCELAIN BURNER CAPS	4/EA
REMOVABLE NON-STICK GRIDDLE	1

## ACCESSORIES (OPTIONAL)

COOKIE SHEETS (SET OF 3)	ACSRO303
REMOVABLE NON-STICK GRIDDLE	AG30
REMOVABLE NON-STICK SEARING GRILL	AEGR30
BAKING STONE	ABS16
BROIL/ROASTING PAN W/GRILL & V RACK	AORPVR
STAINLESS STEEL BACKGUARD 9"	APB30G9
STAINLESS STEEL BACKGUARD 1 1/2"	APB30GLP

## GENERAL PROPERTIES

OVEN CAPACITY (CUBIC FEET)	5.2
COOKING MODES	CONVECTION BAKE; BAKE; CONVECTION BROIL; BROIL

## OVEN PERFORMANCE

HIDDEN STAINLESS STEEL BAKE BURNER	24,000 BTU
INFRARED CERAMIC BROIL GAS BURNER	18,000 BTU

## BURNER PERFORMANCE

TOTAL NUMBER OF COOKTOP BURNERS	4 DUAL STACK BRASS BURNERS
LEFT FRONT (BTU)	18,000 DUAL (SIMMER/SEAR)
LEFT REAR (BTU)	15,000 STACK DUAL (SIMMER)
RIGHT FRONT (BTU)	15,000 STACK DUAL (SIMMER)
RIGHT REAR (BTU)	15,000 STACK DUAL (SIMMER)
SEALED BURNERS	YES
PERMA-FLAME™ (AUTO RE-IGNITION)	YES

## ADDITIONAL MODES

KEEP WARM	YES
-----------	-----

## CONTROL FEATURES

LED (WHITE)	YES
NUMBER OF KNOBS	5 KNOBS
OVEN CONTROL METHOD	KNOBS
ILLUMINA™ BURNER KNOBS	YES
HIGHLIGHTING COLOR	WHITE
TEMPERATURE (F/C)	YES

## TECHNICAL DETAILS

CIRCUIT BREAKER (A)	15 AMPS
VOLTS (V)	120 VAC
FREQUENCY (HZ)	60 HZ
ENERGY SOURCE	GAS AND ELECTRICAL
PLUG TYPE	GROUNDING, DEDICATED, 3-PRONG ELECTRICAL OUTLET
GAS TYPES	NATURAL GAS NATURAL GAS (HIGH ALTITUDE) LIQUID PROPANE LIQUID PROPANE (HIGH ALTITUDE)

## DIMENSIONS & WEIGHT

APPLIANCE DIMENSIONS (H X W X D) (IN.)	36 1/8 X 29 7/8 X 26 7/8
REQUIRED CUTOUT SIZE (W X D) (IN.)	30" X 24"

# dacor

## 30-INCH PRO ALL-GAS RANGE

### APPLIANCE DIMENSIONS

30"

A (WIDTH)	29 7/8" (75.9CM)
B (DEPTH)	24" (60.1CM)
C (HEIGHT)	30 3/16 TO 37 1/2 (91.9-95.3CM)

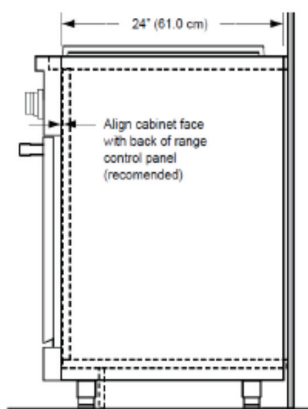
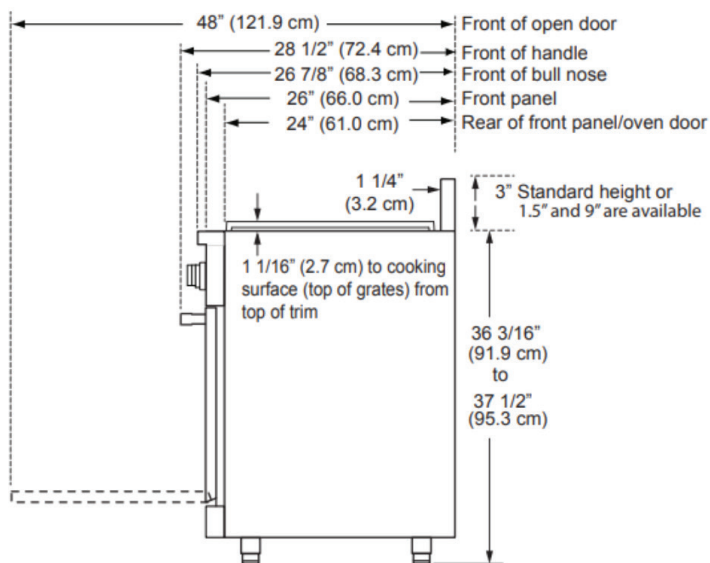
Product tolerances:  $\pm$ 1/16" (+/-1.6MM)

### CABINET CUT-OUT DIMENSIONS

RANGE MODEL	F	G
HGPR30	36" (91.4 CM)* 30" (76.2 CM)**	30" (91.4 CM)**

\* Recommended  
\*\* Minimum

Cutout tolerances: +1/16" (+1.6 mm), -0 unless otherwise stated



View of Range Installed (Side View)

