



# 48-INCH PRO ALL-GAS RANGE

HGPR48 | HERITAGE COLLECTION



## AVAILABLE MODELS

- HGPR48S/NG/H 48" Heritage All Gas Pro Range - Natural Gas High Altitude
- HGPR48S/NG 48" Heritage All Gas Pro Range - Stainless Steel Natural Gas
- HGPR48S/LP/H 48" Heritage All Gas Pro Range - Stainless Steel Liquid Propane High Altitude
- HGPR48S/LP 48" Heritage All Gas Pro Range - Stainless Steel Liquid Propane
- HGPR48C/NG/H 48" Heritage All Gas Pro Range - Color Match Natural Gas High Altitude
- HGPR48C/NG 48" Heritage All Gas Pro Range - Color Match Natural Gas
- HGPR48C/LP/H 48" Heritage All Gas Pro Range - Color Match Liquid Propane High Altitude
- HGPR48C/LP 48" Heritage All Gas Pro Range - Color Match Liquid Propane

## FEATURES & BENEFITS

- Three-Part Convection System – air baffle, fan and removable convection filter to precisely distribute heat for superior cooking results.
- Large oven capacity - 5.2 cu. ft. / 2.8 cu. ft.
- 6 Dual-Stack Sealed Burners.
- Powerful 18K BTU and true simmer burners.
- Illumina™ Knobs - White LED.
- Continuous Grate Platform.
- All Brass Valves, Heads and Caps.
- Self-cleaning ovens.
- Downdraft compatible.

## ADDITIONAL FEATURES

CLEANING TYPE	SELF-CLEAN (BOTH)
TYPE OF GRATE	CONTINUOUS CAST IRON
CAVITY	BLACK ENAMEL COATING
OVEN RACK POSITIONS	6 (LG) / 6 (SM)
LIGHTING	LED & HALOGEN

## DIMENSIONS & WEIGHT

APPLIANCE DIMENSIONS (H X W X D) (IN.)	36 1/8" X 47 7/8" X 26 7/8"
REQUIRED CUTOUT SIZE (W X D) (IN.)	48" X 24"

## WARRANTY

LIMITED, PARTS AND LABOR	1 YEAR
--------------------------	--------

## ACCESSORIES (INCLUDED)

GLIDERACK™	2 (LG) & 2 (SM)
STANDARD RACK	1 (LG) / 1 (SM)
WOK RING	1
REMOVABLE CONVECTION FILTER	1/EA OVEN
BRASS/BLACK PORCELAIN BURNER CAPS	6/EA
REMOVABLE NON-STICK GRIDDLE	1

## ACCESSORIES (OPTIONAL)

COOKIE SHEETS (SET OF 3)	ACSRO303
REMOVABLE NON-STICK GRIDDLE	AG36
REMOVABLE NON-STICK SEARING GRILL	AEGR36
BAKING STONE	ABS16
BROIL/ROASTING PAN W/GRILL & V RACK	AORPVR
STAINLESS STEEL BACKGUARD 9"	APB30G9
STAINLESS STEEL BACKGUARD 1 1/2"	APB30GLP

## GENERAL PROPERTIES

OVEN CAPACITY (CUBIC FEET)	5.2 (LG OVEN) / 2.8 (SM OVEN)
COOKING MODES	CONVECTION BAKE; BAKE CONVECTION BROIL; BROIL

## OVEN PERFORMANCE

HIDDEN STAINLESS STEEL BAKE BURNER	24,000 BTU (LG) 15,000 BTU (SM)
INFRARED CERAMIC BROIL GAS BURNER	18,000 BTU (LG) 13,000 BTU (SM)

## BURNER PERFORMANCE

TOTAL NUMBER OF COOKTOP BURNERS	6 DUAL STACK BRASS BURNERS
LEFT FRONT (BTU)	18,000 DUAL (SIMMER/SEAR)
LEFT REAR (BTU)	15,000 STACK DUAL (SIMMER)
CENTER FRONT (BTU)	15,000 STACK DUAL (SIMMER)
CENTER REAR (BTU)	15,000 STACK DUAL (SIMMER)
RIGHT FRONT (BTU)	18,000 STACK DUAL (SIMMER/SEAR)
RIGHT REAR (BTU)	15,000 STACK DUAL (SIMMER)
SEALED BURNERS	YES
PERMA-FLAME™ (AUTO RE-IGNITION)	YES

## ADDITIONAL MODES

KEEP WARM	YES (BOTH)
-----------	------------

## CONTROL FEATURES

LED (WHITE)	YES
NUMBER OF KNOBS	7 KNOBS
OVEN CONTROL METHOD	KNOBS
ILLUMINA™ BURNER KNOBS	YES
HIGHLIGHTING COLOR	WHITE
TEMPERATURE (F/C)	YES

## TECHNICAL DETAILS

CIRCUIT BREAKER (A)	15 AMPS
VOLTS (V)	120 VAC
FREQUENCY (HZ)	60 HZ
ENERGY SOURCE	GAS AND ELECTRICAL
PLUG TYPE	GROUNDING, DEDICATED, 3-PRONG ELECTRICAL OUTLET
GAS TYPES	NATURAL GAS, NATURAL GAS (HIGH ALTITUDE), LIQUID PROPANE LIQUID PROPANE (HIGH ALTITUDE)

# dacor

## 48-INCH PRO ALL-GAS RANGE

### APPLIANCE DIMENSIONS

36"

A (WIDTH)	47 7/8" (121.6CM)
B (DEPTH)	24" (60.1CM)
C (HEIGHT)	36 3/16 TO 37 1/2" (91.9-95.3CM)

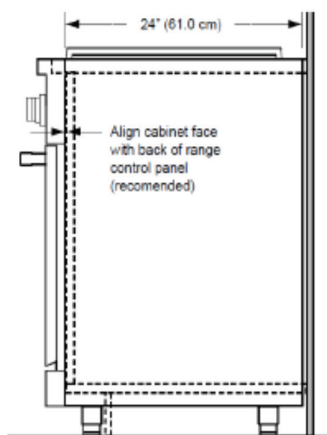
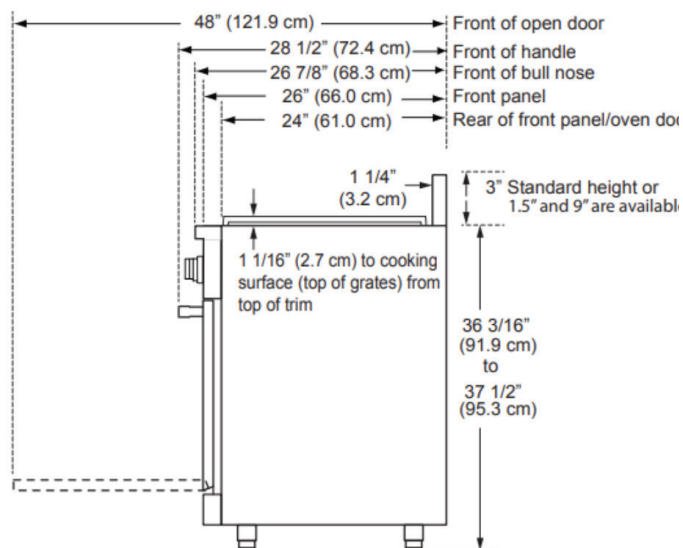
Product tolerances:  $\pm$ 1/16" (+/-1.6MM)

### CABINET CUT-OUT DIMENSIONS

RANGE MODEL	F	G
HGPR48	54" (137.2 CM)* 48" (121.9 CM)**	48" (121.9 CM)**

\* Recommended  
\*\* Minimum

Cutout tolerances: +1/16" (+1.6 mm), -0 unless otherwise stated



View of Range Installed  
(Side View)

