

LG COOKING

LSE4615

6.3 cu.ft ProBake Convection® Electric Single Oven Slide-In Range

Large Capacity (6.3 cu ft.)
Radiant Cooktop with UltraHeat™
ProBake Convection®
Infrared Heating™
EasyClean® + Self Clean
Glass Touch Controls (SmoothTouch™)
WideView™ Window
SmartDiagnosis™
Wi-Fi Connectivity



Enjoy new ways to control your home with LG smart appliances

- Start or stop your Oven remotely
- Set your Monitor Status from your smartphone
- Works with the LG SmartThinQ® app

SmartThinQ®



CAPACITY	
Total Oven Capacity (cu.ft.)	6.3 cu.ft.
Storage Drawer Capacity (cu.ft.)	0.8 (no Handle)
COOKTOP	
Type	Radiant
No of Radiant Elements	5
Element Size/Wattage - Left Rear	1200 (6")
Element Size/Wattage - Right Rear	1200 (6")
Element Size/Wattage - Left Front	3200 (9") / 1400 (6") (UltraHeat™)
Element Size/Wattage - Right Front	3000 (12") / 2200 (9") / 1100(6")
Center (Warming Zone)	100 (7")
Cooktop Finish	Black Ceramic + Grey Pattern
Hot Surface LED Indicator	Yes
OVEN FEATURES	
Broil Element (Watt)	Charcoal (1600) + Sheath (2400) (Infrared Heating™)
Convection (Watt)	Sheath 2500W
Convection Fan	Dual Speed (High/Low)
Convection System/Mode/Cooking System	ProBake Convection™
Oven Cooking Modes	Speed Roast, Bake, Broil, Convection Bake, Convection Roast, Multi-Rack Convection Baking, Delay Bake, Delay Clean, Proof, Warm
Oven Control Features	Glass Touch (SmoothTouch™)
Convection Conversion	Yes
EasyClean®	Yes
Self Clean	Yes
GoCook Smart Oven Light	Yes (1 Light)
No. of Rack Positions	7
Door Lock	Yes
Automatic Safety Shut-Down	After 12 hours
DRAWER FEATURES	
Type	Warming (500 W)
Levels	3 (Hi / Mid / Low)
Time Control	Yes
CONTROL	
Cooktop Control Type	Front Tilt-Control Knobs
Oven Control Type	Glass Touch
Display	VFD
Language	English
Clock	12 hr or 24 hr (option)
Kitchen Timer	Yes
Timed Cook	Yes
Temperature Unit of Measure	Fahrenheit / Celsius
Cooking Complete Reminder Volume	Beeper

APPEARANCE	
All Available Colors	Stainless Steel / Matte Black Stainless Steel
Knobs	Stainless Steel / Matte Black Stainless Steel
Handle	Stainless Steel / Matte Black Stainless Steel
PrintProof™ Finish	Yes (Matte Black Stainless Steel Only)
Oven Door Feature	WideView™ Window
SmartThinQ® SMART FEATURES	
SmartDiagnosis™	Yes
Wi-Fi Connectivity	Yes
Works with	Google Assistant and Amazon Alexa
SmartThinQ® with Inniti and SideChef	Yes
DIMENSIONS/CLEARANCES/WEIGHT	
Shipping Weight (lbs)	224
Product Weight (lbs)	194
Cabinet Width (in)	30"
Overall Depth (in) - including handle	28 15/16"
Overall Height (in)	37 7/8"
Overall Width (in)	29 7/8"
Oven Interior Dimensions (in) (W x H x D)	24 7/8" x 21 3/8" x 20"
Height to Cooking Surface (in)	36"
Drawer Dimensions (in) (W x H x D)	22 3/16" x 4 1/2" x 16 3/8"
Carton Dimensions (in) (W x H x D)	32 31/32" x 44" x 30 17/32"
POWER/RATINGS	
Amp Rating at 208V	51.4A
Amp Rating at 240V	59.2A
KW Rating at 208V	10.7kW
KW Rating at 240V	14.2kW
ACCESSORIES	
Gliding Rack	1
Standard Rack	2
Meat Probe	Yes
Spray Bottle	Yes
Scouring Pad	Yes
Cooktop Cream/ Cleaner	Yes
WARRANTY	
Parts & Labor	1 Year
UPC CODES	
LSE4615BM (Matte Black Stainless Steel)	048231340212
LSE4615ST (Stainless Steel)	048231340694

LG COOKING

LSE4615_

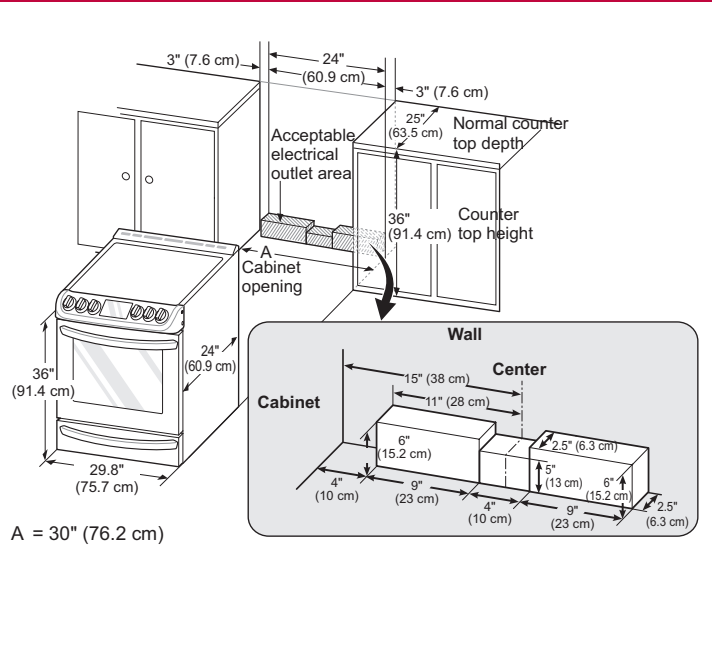
6.3 cu.ft ProBake Convection® Electric Single Oven Slide-In Range

QUICK INSTALL & CLEARANCES

For full installation directions/clearances please refer to the corresponding User Manual and Installation Guide.

DIMENSIONS/CLEARANCES/WEIGHT	
Cabinet Width (in)	30"
Overall Depth (in) - including handle	28 15/16"
Overall Height (in)	37 7/8"
Overall Width (in)	29 7/8"
Oven Interior Dimensions (in) (W x H x D)	24 7/8" x 21 3/8" x 20"
Height to Cooking Surface (in)	36"
Drawer Dimensions (in) (W x H x D)	22 3/16" x 4 1/2" x 16 3/8"
Carton Dimensions (in) (W x H x D)	32 31/32" x 44" x 30 17/32"
POWER/RATINGS	
Amp Rating at 208V	51.4A
Amp Rating at 240V	59.2A
KW Rating at 208V	10.7kW
KW Rating at 240V	14.2kW

DIMENSIONS AND CLEARANCES



ELECTRICAL REQUIREMENTS

- **This appliance must be installed and grounded on a branch circuit by a qualified technician in accordance with the National Electrical code ANSI/NFPA NO. 70 - latest edition.**
- All wiring should conform to Local and NEC codes. This range requires a single-phase, 3 wire, A.C 120/208 V or 120/240 V 60 Hz electrical system. Use only a 3-conductor or a 4-conductor UL - listed range cord with closed-loop terminals, open-end spade lugs with upturned ends or similar termination. Do not install the power cord without a strain relief.
- A range cord rated at 40 amps with 120/240 minimum volt range is required. If a 50 amp range cord is used, it should be marked for use with 13/8" diameter connection openings. This appliance may be connected by means of a conduit or power cord. If a conduit is being used, check the Owners Manual for 3 wire conduit connections or 4 wire conduit connections.

Specified power-supply-cord kit rating

Range rating, watts		Specified rating of power supply-cord kit, amperes	Diameter (inches) of Range connection Opening	
120/240 volts 3-wire	120/208 volts 3-wire		Power cord	Conduit
8,750 - 16,500	7,801 - 12,500	40 or 50A	1 3/8"	1 1/8"
16,501 - 22,500	12,501 - 18,500		1 3/4"	1 3/8"



⚠ WARNING

- Allow 2 to 3 ft (61.0 cm to 91.4 cm) of slack in the line so that the range can be moved if servicing is ever necessary.
- The power supply cord and plug should not be modified. If it will not fit the outlet, have a proper outlet installed by a qualified electrician.
- Using an extension cord to connect the power is prohibited. Connect the power cord and plug directly.
- Electrical ground is required on this appliance.
- Make sure that the power cord is not pinched by the range or heavy objects. Failure to do so can result in serious burns or electrical shock.

MINIMUM DIMENSIONS

- * 30" (76.2 cm) minimum clearance between the top of the cooking surface and the bottom of an unprotected wood or metal cabinet; or 24" (60.9 cm) minimum when bottom of wood or metal cabinet is protected by not less than 1/4" (6.4 cm) flame retardant millboard covered with not less than no. 28 MSG sheet steel, 0.015" (0.381 mm) stainless steel, 0.024" (0.610 mm) aluminum or 0.020" (0.508mm) copper.

- ** 15" (38.1 cm) minimum between countertop and adjacent cabinet bottom.

