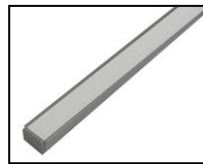


SUT958

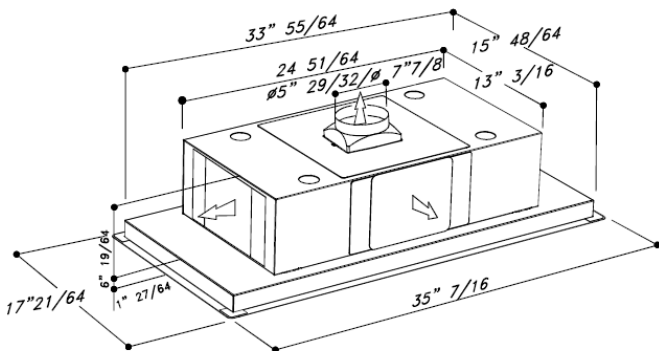
SUT958



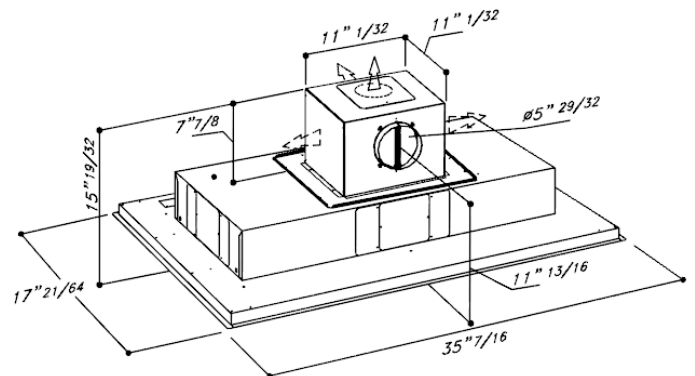
- External motor or motor on board (purchased separately)
- Lighting: 2x6.5W Led Strip
- Remote control 4 speed + delay of timer + light switch
- Stainless steel: AISI 430
- Cut Out: 34" 1/16 x 15" 15/16



EXTERNAL MOTOR VERSION



MOTOR ON BOARD VERSION



Sirius