



HOOKER
— FURNITURE —

ASSEMBLY INSTRUCTION

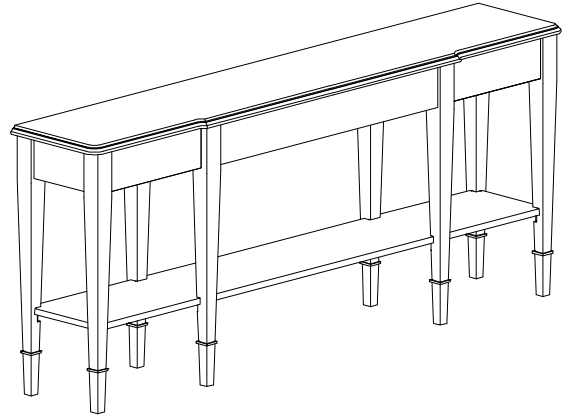
Item: 5660-85001-MWD
SKINNY CONSOLE TABLE

Thank you for purchasing this quality product. Be sure to unpack carefully looking for small parts which may have come loose during shipment.

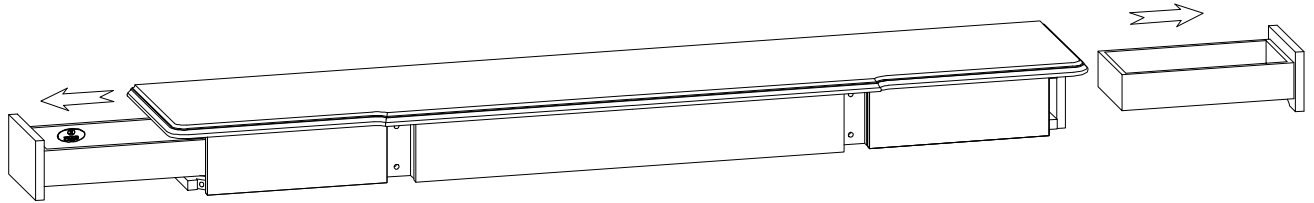
Read all instruction and study the drawing carefully before starting the assembly process:

HARDWARE PACK

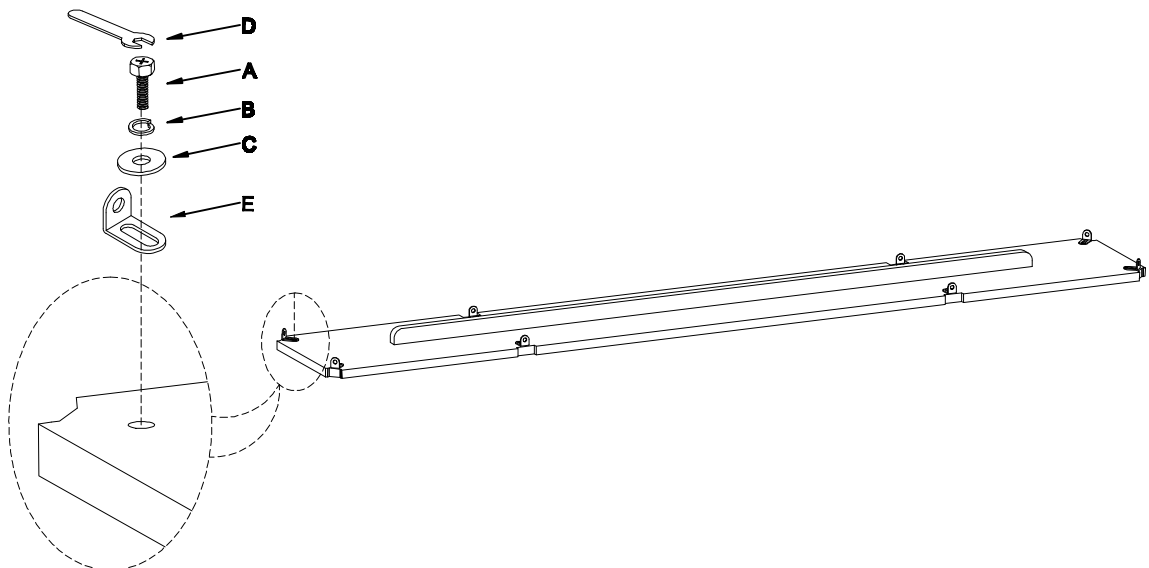
NO	DRAWING	DESCRIPTION	SIZE	QTY
A		BOLT	Ø1/4**5/8"	16pcs
B		LOCK WASHER	Ø1/4"	16pcs
C		FLAT WASHER	Ø1/4**16mm	16pcs
D		ALLEN WRENCH	84*2*11mm	1pc
E		SHELF PIN	32*23*3mm	8pcs
F		NUT	Ø5/16**5mm	16pcs
G		LOCK WASHER	Ø5/16"	16pcs
H		FLAT WASHER	Ø5/16**19mm	16pcs
I		ALLEN WRENCH	84*2*12mm	1pc
K		ANTI-TIP		1set



Step 1



Step 2

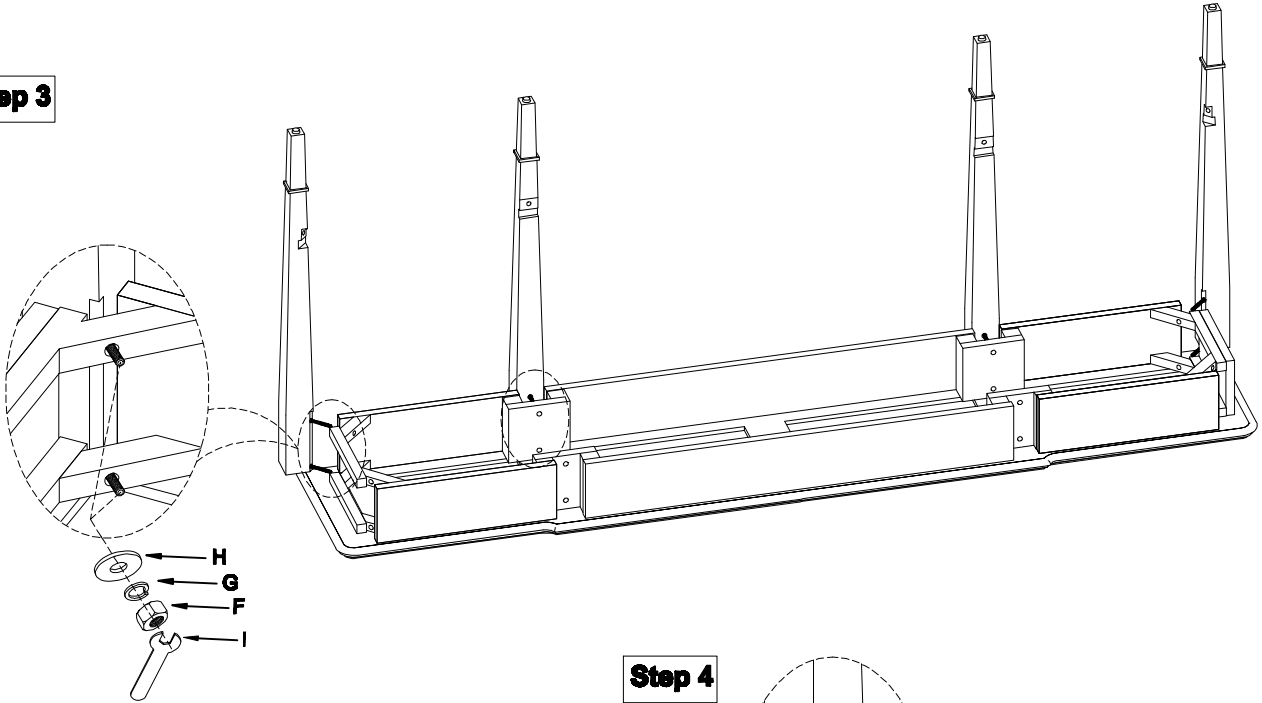


Note: Anti-tipkit restraint is provided. Please follow the instruction enclose with the pack.

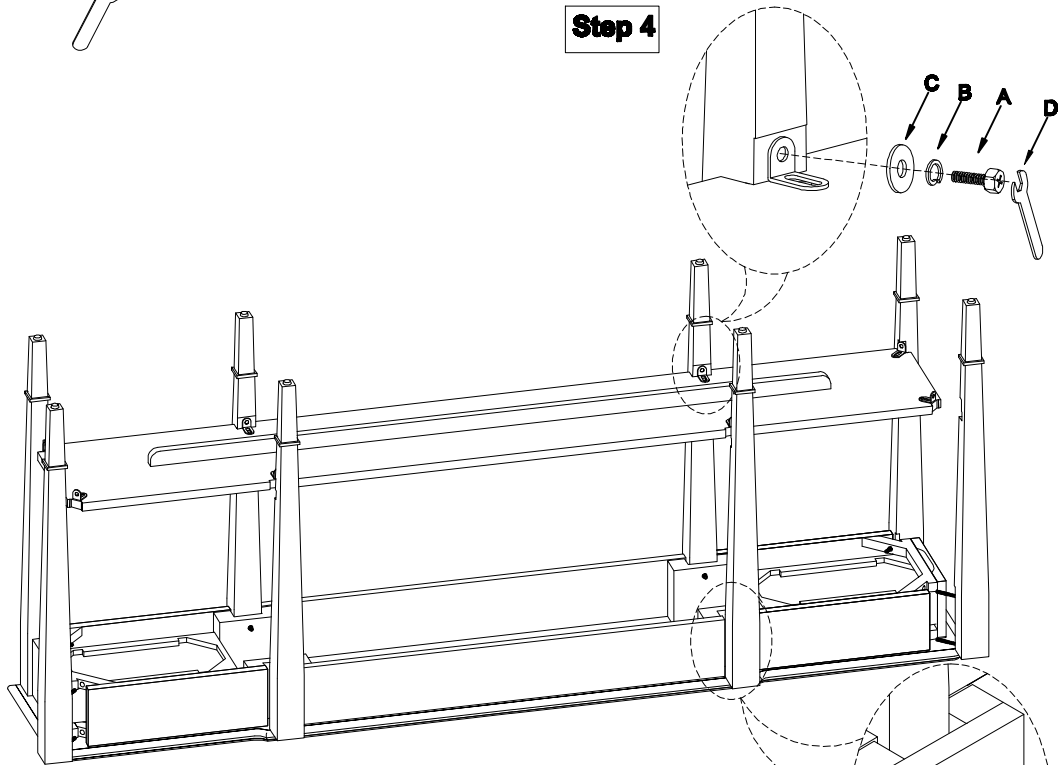
ASSEMBLY INSTRUCTION

Item: 5660-85001-MWD
SKINNY CONSOLE TABLE

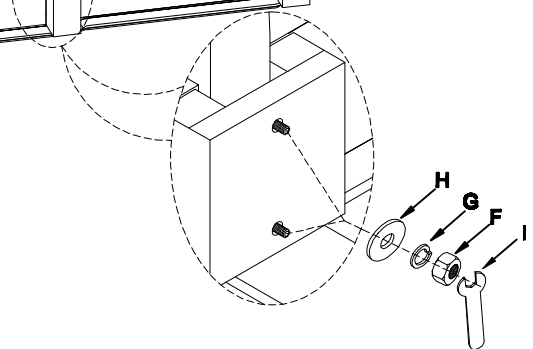
Step 3



Step 4



Step 5



Note: Anti-tipkit restraint is provided. Please follow the instruction enclose with the pack.

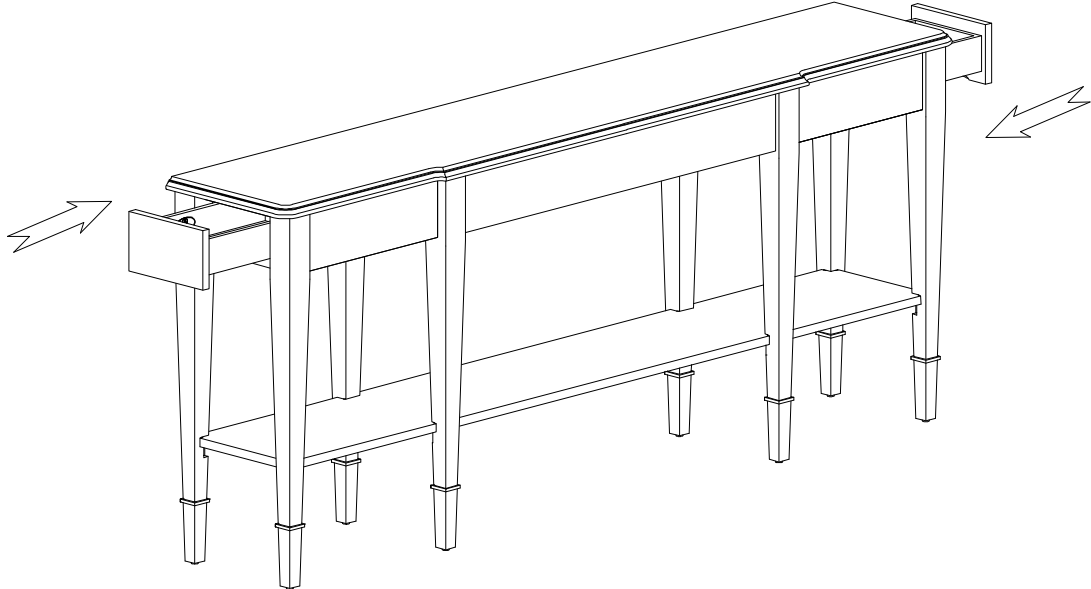


HOOKER
— FURNITURE —

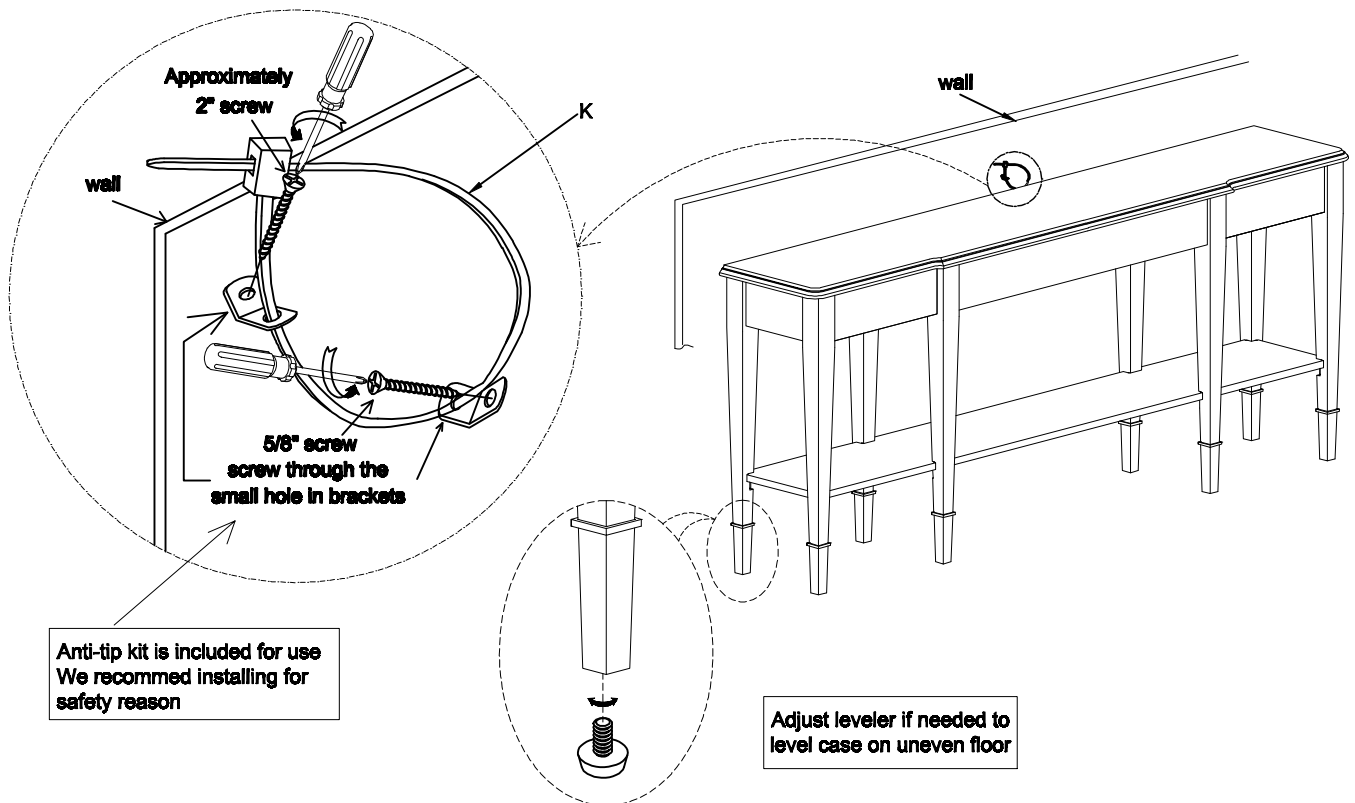
ASSEMBLY INSTRUCTION

Item: 5660-85001-MWD
SKINNY CONSOLE TABLE

Step 6



Step 7



Note: Anti-tipkit restraint is provided. Please follow the instruction enclose with the pack.