

NE58K9430SS

SAMSUNG

Samsung Slide-In Electric Range

5.8 cu. ft. Capacity



Signature Features

Dual Convection

- Two fans circulate air throughout the oven for faster and more even cooking.

Slide-In Design

- Modern and sleek, custom look that blends seamlessly with your kitchen.

Flexible Cooktop

- Flexible 5-element cooktop with 2 dual-ring elements accommodates multiple pan sizes.

Available Colors



Stainless Steel (shown)



Fingerprint Resistant
Black Stainless Steel



Dual Convection



Flexible Cooktop

Features

- Dual Convection
- Slide-In Design
- Flexible Cooktop – 5 Electric Elements
 - Two Dual Elements (9"/12", 6"/9")
 - Two Single Elements (6")
 - Warming Center (7")
- Glass-Touch Controls
- Large Oven Capacity: 5.8 cu. ft.
- Wide View Window
- Storage Drawer
- Hidden Bake Element

Convenience

- Self + Steam Clean
- Hot Surface Indicator Lights
- Auto Oven Light
- Proofing
- Kitchen Timer
- Delay Start
- Auto Shut-Off Option
- Child Safety Lock
- 3 Preset Easy Cook Options
- Sabbath Mode

NE58K9430SS

SAMSUNG

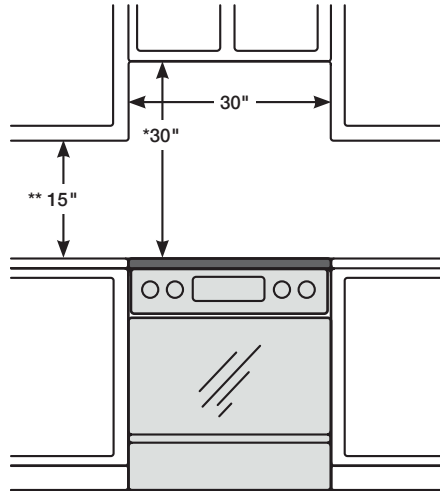
Samsung Slide-In Electric Range

5.8 cu. ft. Capacity

Installation Specifications

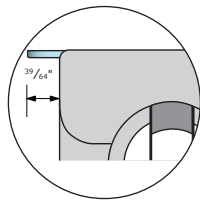
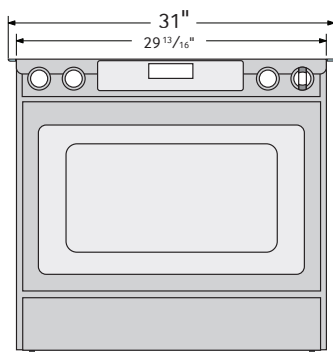
* 30" minimum clearance between the top of the cooking surface and the bottom of an unprotected wood or metal cabinet; or 24" minimum when the bottom of the wood or metal cabinet is protected by not less than 1/4" flame-retardant millboard covered with not less than no. 28 MSG sheet steel, 0.015" stainless steel, 0.024" aluminum or 0.020" copper.

** 15" minimum between the countertop and the adjacent cabinet bottom.

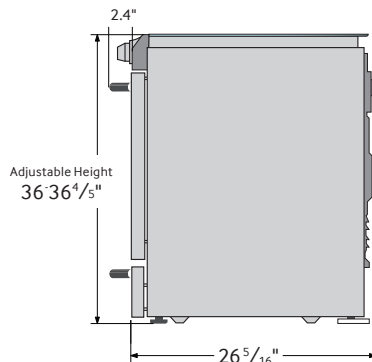


IMPORTANT: To eliminate the risk of burns or fire caused by reaching over heated surface units, cabinet storage space located above the surface units should be avoided. If cabinet storage is to be provided, the risk can be reduced by installing a range hood that projects horizontally a minimum of 5" beyond the bottom of the cabinets.

Dimensions



Glass cooktop overlaps and sits on top of your kitchen countertop to give a built-in look. Cutout space for the range is 29¹³/₁₆".



Power Source

240V/60 Hz/40A

Electric Ceramic Cooktop

- Right Front: 9"/12", 3000W
- Left Front: 6"/9", 3000W
- Right Rear: 6", 1200W
- Left Rear: 6", 1200W
- Warm Center: 7", 100W

Oven

- Hidden Bake Element: 3000W
- Bake: 175°F - 550°F
- Convection Bake: 175°F - 550°F
- Convection Roast: 175°F - 550°F
- Broil: (Low - High)
- Convection Element/Heater: 1250W
- Proofing
- Sabbath Mode

Storage Drawer

- Capacity: 0.7 cu. ft.

Warranty

One (1) Year Parts and Labor

Product Dimensions & Weight (WxHxD)

Outside Dimensions:

31" x 36 - 36⁴/₅" (Adjustable) x 26⁵/₁₆"

Weight: 191.6 lbs.

Shipping Dimensions & Weight (WxHxD)

Dimensions:

33¹/₁₆" x 41³/₄" x 30⁵/₁₆"

Weight: 215.8 lbs.

Color

Stainless Steel

Model

NE58K9430SS

UPC Code

887276132136

Fingerprint Resistant

Black Stainless Steel

NE58N9430SG

887276290454