



ASSEMBLY INSTRUCTION

ITEM# 1595-90006B-WH Mirror
1595-90001-WH Dresser
1595-90011-WH Bureau

**** Please make sure you have all parts indicated below prior to assembly.
This unit is heavy and can best be assembled with the help of two or more people.**

NO	HARDWARE LIST		Q'TY
A		SCREW	16
B		LOCATOR DOWEL	4

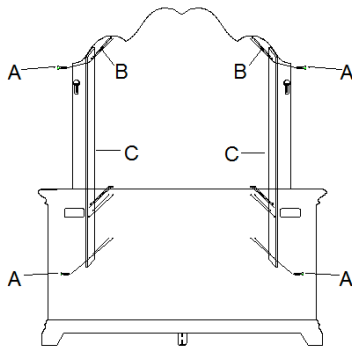


Diagram 1

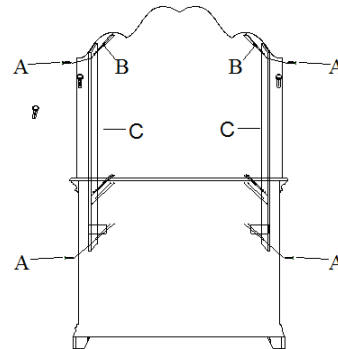
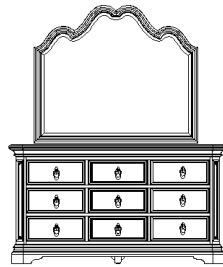
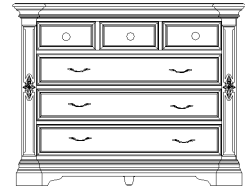


Diagram 1



This mirror can be assembled with two kinds of dressers. Below are assembly steps :

1. Insert locator dowels (B) to the pre-drilled holes on wood supports (C). (See diagram 1)
2. Place mirror on top of the dresser. Be sure to position the mirror in middle of the top. The back bottom edge of the mirror and the back edge of the top should be flushed.
3. Attach wood supports (C) to the back of mirror and dresser. Align locator dowels (B) on wood supports to the holes on the back of mirror.
4. Tighten all screws (A) to the pre-drilled holes on wood supports (C) by using Philips screw driver.

Caution: Do not over tighten.

Cleaning Instruction: Clean finished parts with a damp cloth using a mild dishwashing liquid and water solution. Polish the finish with soft cloth and an industry recognized furniture polish.