

COASTER®

Fine Furniture

300007KE

E KING SIZE BED

ASSEMBLY INSTRUCTIONS

COASTER FINE FURNITURE



www.coastercompany.com

ASSEMBLY TIPS:

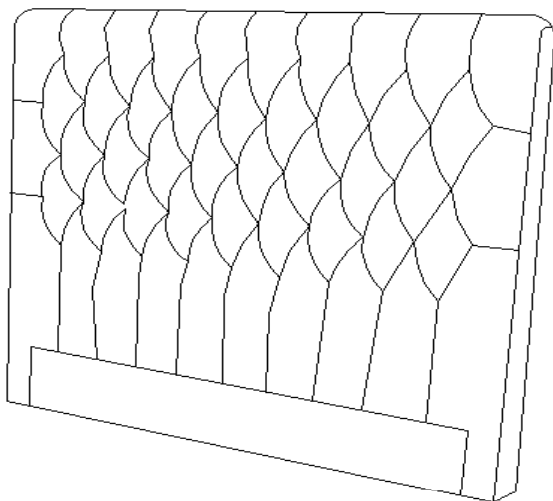
1. Remove hardware from box and sort by size.
2. Please check to see that all hardware and parts are present prior to start of assembly.
3. Please follow attached instructions in the same sequence as numbered to assure fast & easy assembly.

warning

1. Don't attempt to repair or modify parts that are broken or defective please contact the store immediately.
2. This product is for home use only and not intended for commercial establishment.

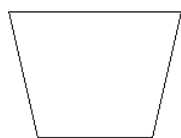
PARTS IDENTIFICATION

A



Headboard 1PC

B



Wood legs 2 PCS

HARDWARE PACKAGE

1



5*23*67mm

Allen wrench 1 PC

2



Ø5/16 * Ø16 * Ø1.5 mm

Flat washer 2 PCS

3



Long bolt

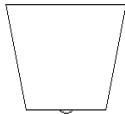
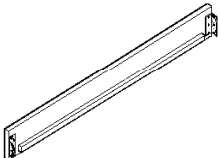
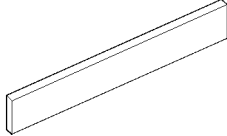

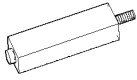
2 PCS

All above hardware pack is located in 300007KE B1











COASTER[®]
Fine Furniture

www.coastercompany.com

PARTS IDENTIFICATION

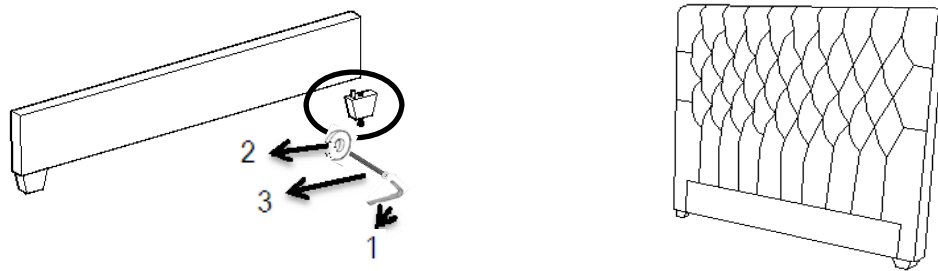
B		Wood legs	2 PCS
C		Bed rail	2 PCS
D		Footboard	1 PC
E		Slat	5 PCS
F		Support leg	10 PCS

HARDWARE PACKAGE

	DESCRIPTION	FIGURE	Q'TY
1	Allen wrench 5*23*67mm		1 PC
2	Flat washer Ø5/16 * Ø16 * Ø1.5 mm		2 PCS
3	Long bolt		2 PCS
4	Headboard corner bracket - Left (facing)		1 PC
5	Headboard corner bracket - Right (facing)		1 PC
6	Footboard corner bracket		2 PCS
7	Flat washer Ø6.5 * Ø19 * Ø2 mm		18 PCS
8	Short bolt		18 PCS
9	Wood screw		10 PCS
10	Allen wrench 4*23*60mm		1 PC
	All above hardware pack is located in 300007KE B2		

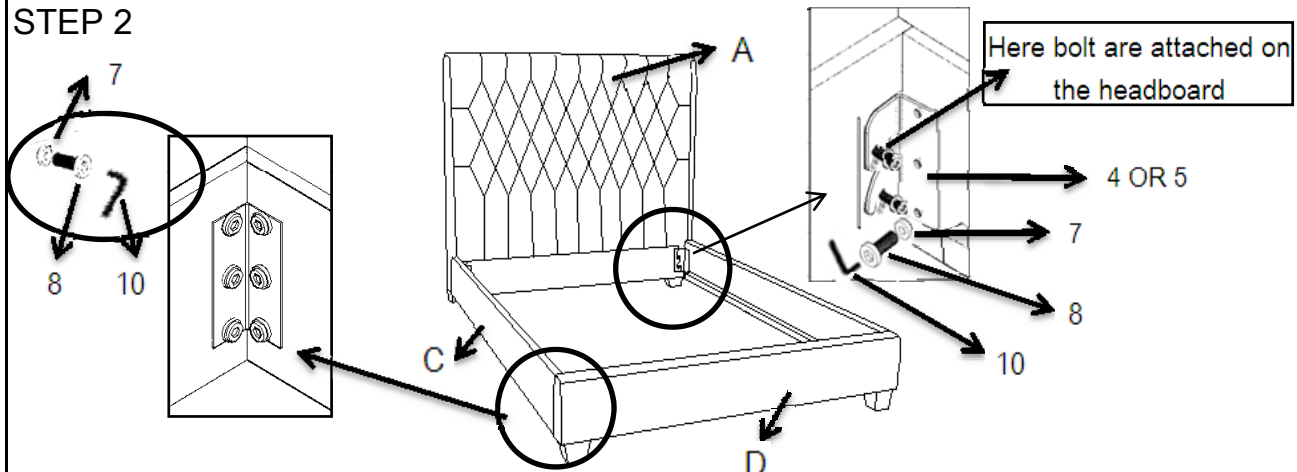
IT NEEDS TWO PERSONS AND TAKES ABOUT THIRTY MINUTES TO ASSEMBLE THE ITEM.

STEP 1



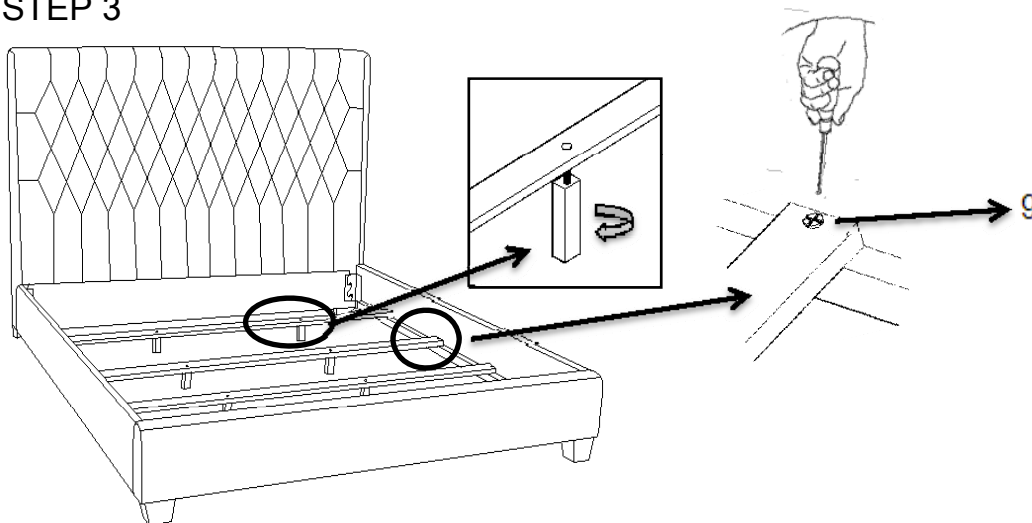
Attach the wooden foot(B) to the headboard(A) and footboard(D)

STEP 2



Align and attach the left and right brackets (4 and 5) to the bed rails (C) using flat washer (7) bolt (8) and tighten with allen wrench (10). Then align and attach the footboard brackets (6) to the footboard (D) and bed rails (C) using flat washer (7) bolt (8) and tighten with allen wrench (10). Finally hang the bed rails (C) to the headboard (A). Now tighten all corner brackets.

STEP 3



Set up support legs on the slats first, then attach slats on the side rails using wood screw(9) tighten with screw driver (not included) .