

**COASTER**<sup>®</sup>  
FINE FURNITURE

**300345KE (B1-B3)**

**EASTERN KING SIZE PU BED**

---

**ASSEMBLY INSTRUCTIONS**  
**COASTER FINE FURNITURE**



[www.coastercompany.com](http://www.coastercompany.com)

**ASSEMBLY TIPS:**

1. Remove hardware from box and sort by size.
2. Please check to see that all hardware and parts are present prior to start of assembly.
3. Please follow attached instruction in the same sequence as numbered to assure fast & easy assembly.



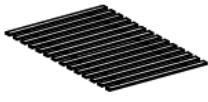
**Warning!**

1. Don't attempt to repair or modify parts that are broken or defective. Please contact the store immediately.
2. This product is for home use only and not intended for commercial establishment.

**PARTS IDENTIFICATION**

**B1 (BOX 1)**

AN  HEADBOARD 1PC

BN  ROLL SLAT (14PCS) 1SET


**B2 (BOX 2)**

CN  FOOTBOARD PANEL 1PC

**B3 (BOX 3)**

DN  LEFT BED RAIL 1PC

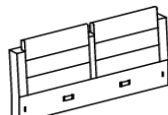
EN  RIGHT BED RAIL 1PC

FN  FOOTBOARD LEGS 2PCS

GN  BED SLAT SUPPORT WITH LEVELER 6PCS

HN  FOOTBOARD SUPPORT WITH LEVELER 1PC

IN  CENTER RAIL 2PCS

AN  300345KE (B1) \*FROM BOX 1 HEADBOARD 1PC

FBN  300345KE (B2&B3) \*FROM BOX 2 & BOX 3 FOOTBOARD COMPLETE 1PC

**HARDWARE IDENTIFICATION**

Z-B3 (BOX 3) - Hardware pack is located in 300345KE (B3)

1  SHORT FLAT HEAD SCREW 14PCS

2  LONG FLAT HEAD SCREW 34PCS

3  BOLT 6PCS

4  SMALL ALLEN WRENCH 1PC

5  BIG ALLEN WRENCH 1PC

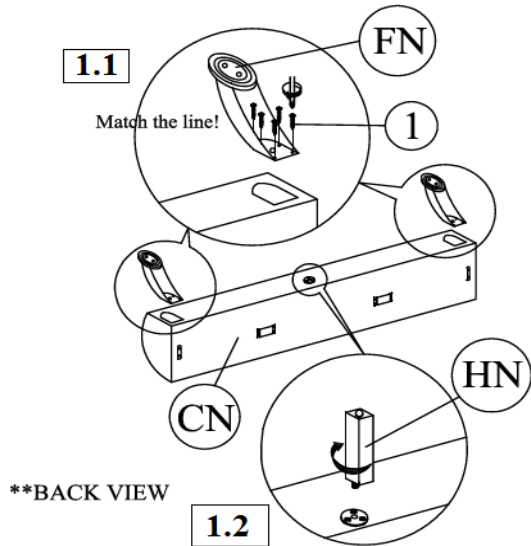
NOTE : PHILLIPS HEAD SCREW DRIVER IS REQUIRED IN THE ASSEMBLY PROCESS. HOWEVER, MANUFACTURER DOES NOT PROVIDE THIS ITEM.

**300345KE (B2 & B3) - BOX 2 & BOX 3**

**STEP 1**

1.1) Place footboard panel (CN) upside down on soft surface. Align and fasten footboard leg (FN) to the pre-marking on the bottom of footboard panel (CN) using short flat head screw (1) (as per diagram shown) and tighten with Phillips head screw driver (NOT INCLUDED).

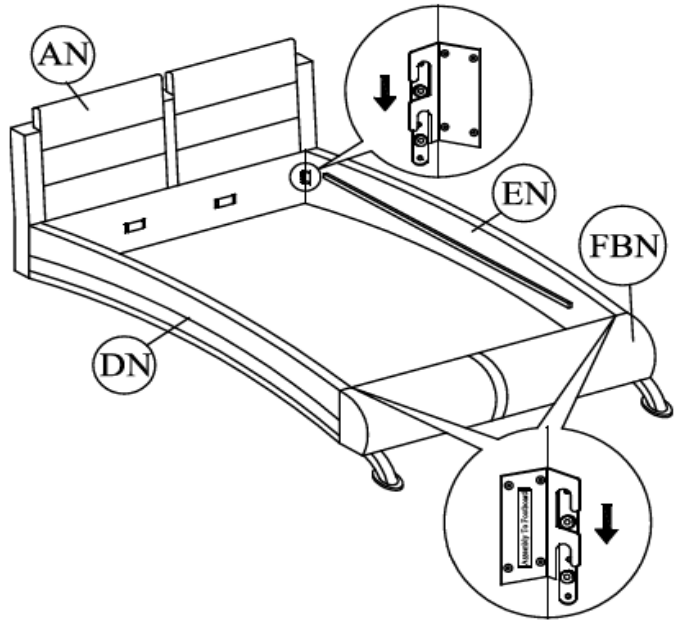
1.2) Align and fasten footboard support with leveler (HN) to footboard panel (CN) by turning clockwise until tight. Then adjust leveler to touch the floor.



**300345KE (B1 - B3) - BOX 1 TO BOX 3**

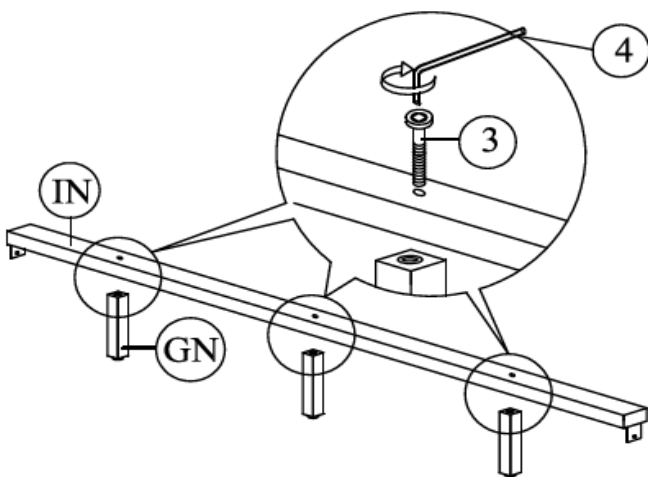
**STEP 2**

Loosen the bolts from metal plate to leave a gap of about 5mm. Hook the left and right bed rail (DN & EN) onto the bolts.



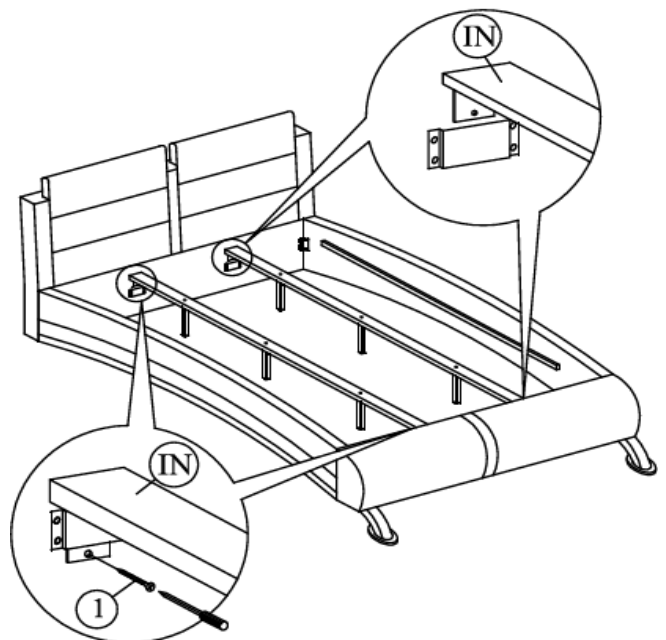
**STEP 3**

Align and fasten bed slat support with leveler (GN) to center rail (IN) using bolt (3) and tighten with small Allen wrench (4).



**STEP 4**

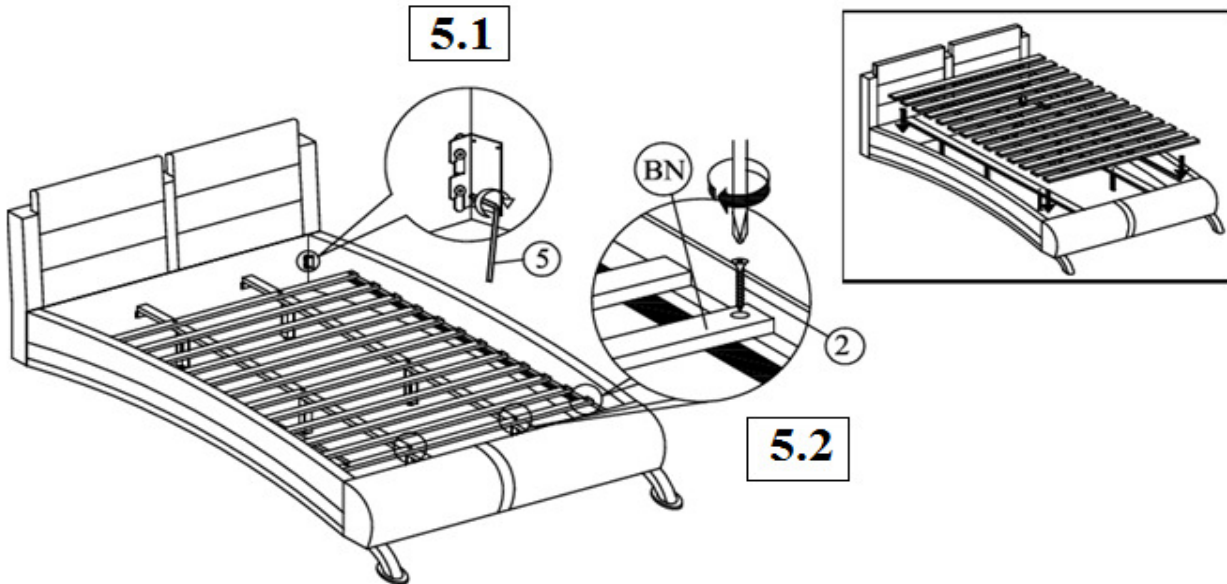
Align and fasten the plat at the end of center rail (IN) to the bracket at headboard (AN) and footboard (FBN) using short flat head screw (1) and tighten with Phillips head screw driver (NOT INCLUDED). Then adjust leveler on bed slat support to touch the floor.



**STEP 5**

5.1 Fully tighten all the bolts with big Allen wrench (5).

5.2 Align and fasten roll slat (BN) to center rail (IN) and left & right bed rail (DN & EN) using long flat head screw (2) and tighten with Phillips head screw driver (NOT INCLUDED).



**STEP 6**

Tear off the protector sticker of acrylic on headboard, footboard and bed rail.

