

COASTER[®]
FINE FURNITURE

300501KW (B1 & B2)

CALIFORNIA KING SIZE BED

**ASSEMBLY INSTRUCTIONS
COASTER FINE FURNITURE**



www.coastercompany.com

ASSEMBLY TIPS :

1. Remove hardware from box and sort by size
2. Please check to see that all hardware and parts are present prior to start of assembly
3. Please follow attached instructions in the same sequences as numbered to assure fast & easy assembly.



WARNING !

1. Don't attempt to repair or modify parts that are broken or defective. Please contact the store immediately
2. This product is for home use only and not intended for commercial establishment.

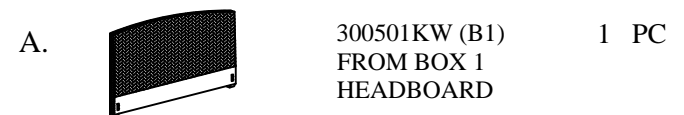


ASSEMBLY TIME | 15 MINUTES

PARTS IDENTIFICATION

B1 (BOX 1)

B2 (BOX 2)



HARDWARE IDENTIFICATION

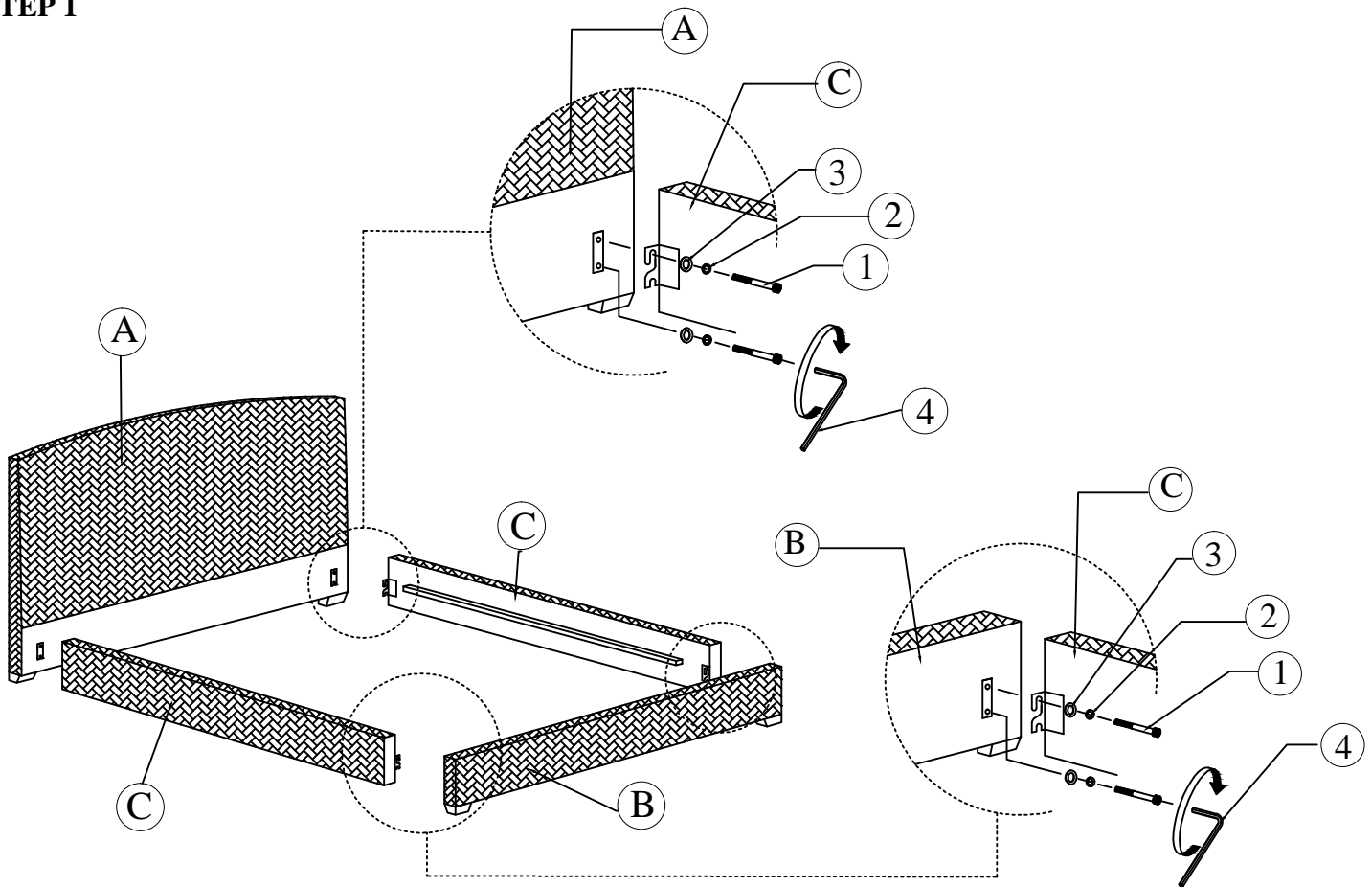
Z - B2 (BOX 2) - Hardware pack is located in 300501KW (B2)

1. 8 PCS
2. LOCK WASHER 8 PCS
3. FLAT WASHER 8 PCS
4. ALLEN WRENCH 1 PC
5. SCREW 8 PCS

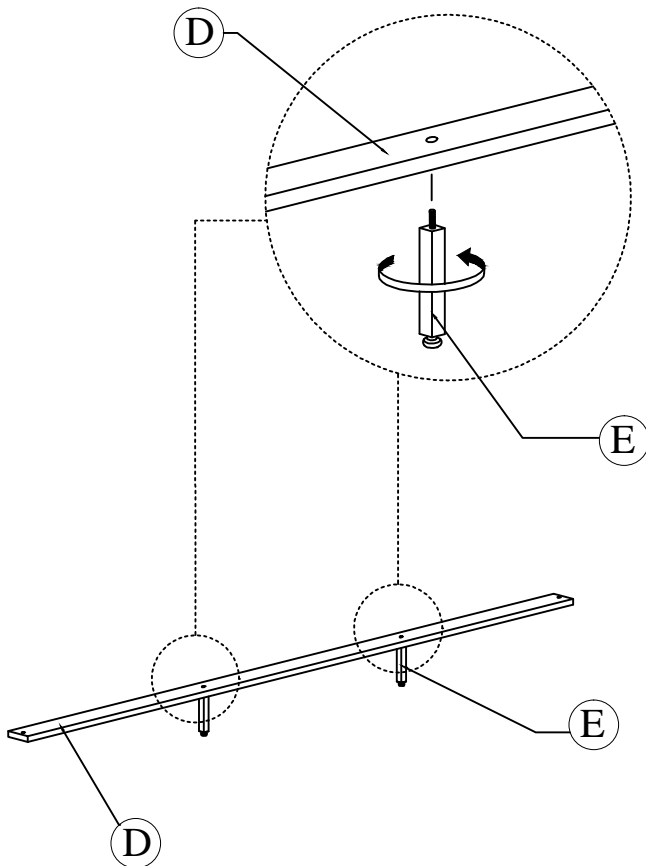
NOTE : PHILLIPS HEAD SCREW DRIVER IS REQUIRED IN THE ASSEMBLY PROCESS. HOWEVER, MANUFACTURER DOES NOT PROVIDE THIS ITEM.

300501KW (B1 & B2) - BOX 1 & BOX 2

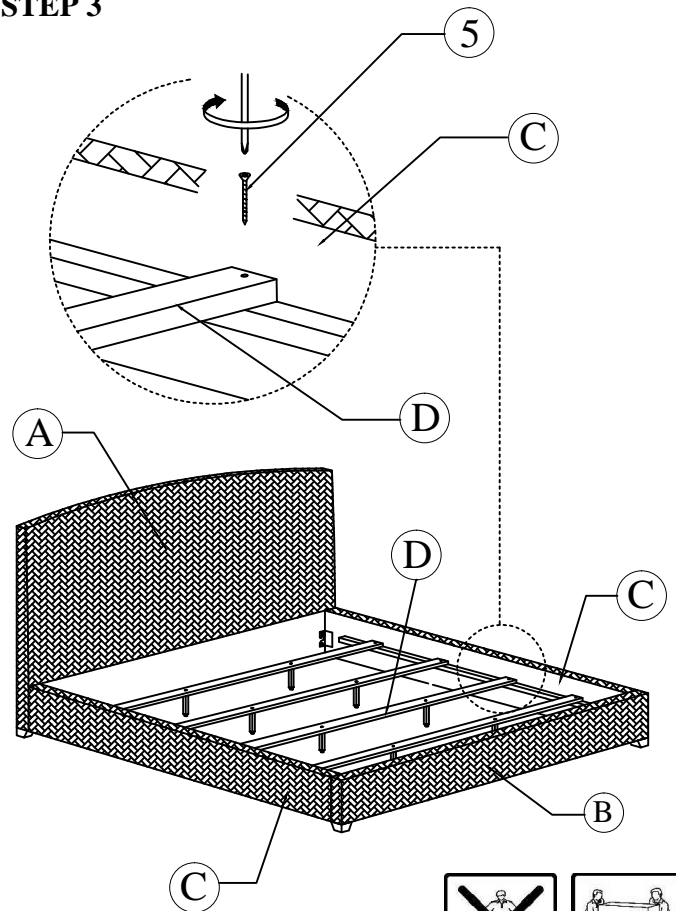
STEP 1



STEP 2



STEP 3



ASSEMBLE HEADBOARD TO METAL FRAME

ASSEMBLY TIPS :

1. Remove hardware from box and sort by size
2. Please check to see that all hardware and parts are present prior to start of assembly
3. Please follow attached instructions in the same sequences as numbered to assure fast & easy assembly.



WARNING !

1. Don't attempt to repair or modify parts that are broken or defective. Please contact the store immediately
2. This product is for home use only and not intended for commercial establishment.

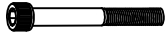


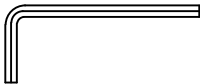


PARTS IDENTIFICATION

B1 (BOX 1)

A.  HEADBOARD 1 PC

HARDWARE IDENTIFICATION

Z - B1 (BOX 1) - Hardware pack is located in 300501KW (B1)

- | | | | |
|-----|---|--------------|--------|
| 6. |  | BOLT | 6 PCS |
| 7. |  | LOCK WASHER | 6 PCS |
| 8. |  | FLAT WASHER | 12 PCS |
| 9. |  | ALLEN WRENCH | 1 PC |
| 10. |  | HEX NUT | 6 PCS |
| 11. |  | WRENCH | 1 PC |

ASSEMBLE HEADBOARD TO METAL FRAME

