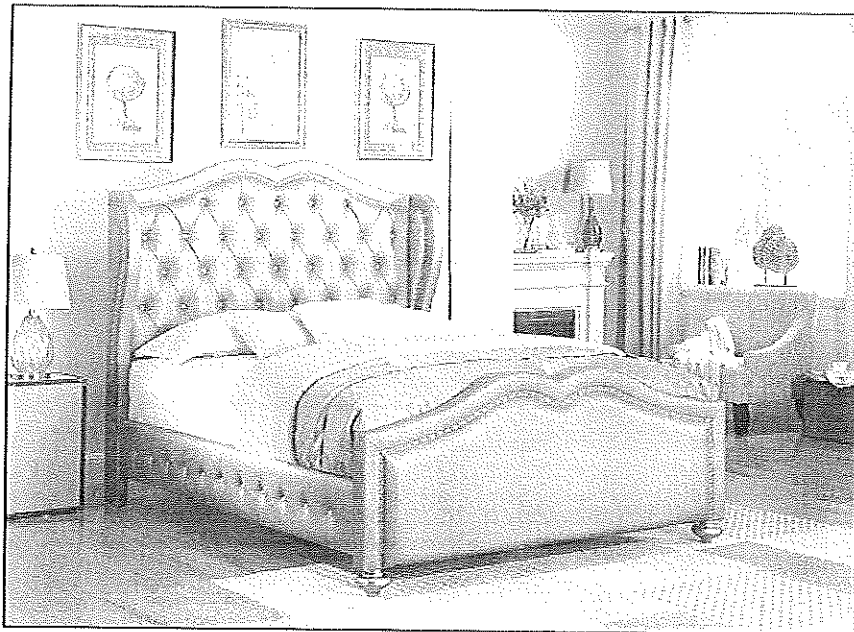


COASTER®
FINE FURNITURE

300824Q

Queen Bed

ASSEMBLY INSTRUCTION
COASTER FINE FURNITURE



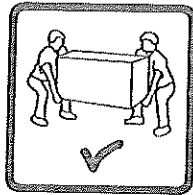
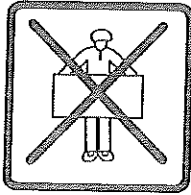
www.coastercompany.com

Assembly Instruction

1. Remove hardware from box and sort by size.
2. Please check to see that all hardware and parts are present prior start of assembly.
3. Please follow attached instructions in the same sequence as numbered to assure fast & easy assembly.

⚠Warning!

1. Don't attempt to repair or modify parts that are broken or defective please contact the store immediately.
2. This product is for home use only and not intended for commercial establishment.

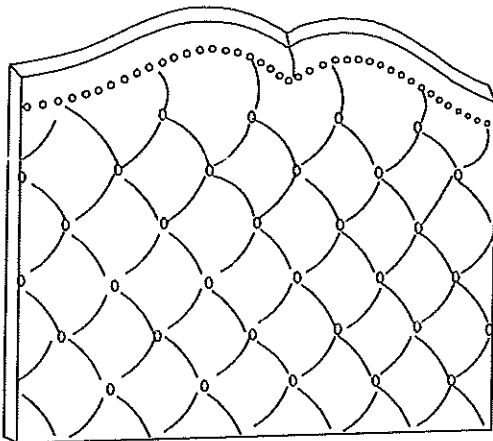


ASSEMBLY TIME PER UNIT: 30 MINUTES

PARTS IDENTIFICATION:

B1: HEADBOARD

A-HEADBOARD PANEL 1PC



HARDWARE PACKAGE

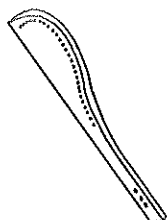
NO	DESCRIPTION	FIGURE	QTY
1	Bolt 5/16" * 2"		10PCS
2	Bolt 5/16" * 1"		4PCS
3	Allen Key 5mm		1PC
4	Spring Washer 5/16"		14PCS
5	Flat Washer 5/16" * 16mm		8PCS
6	Flat Washer 5/16" * 22mm		6PCS
7	Screw m8 * 30		8PCS

Hardware pack is located in 300824Q B2

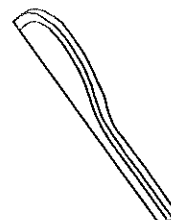
PARTS IDENTIFICATION:

B2:EAR&FOOTBOARD&SLAT&FEET

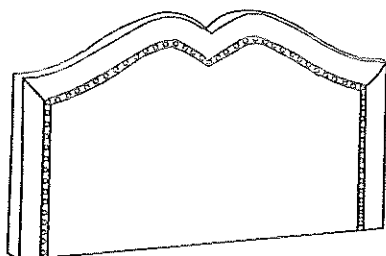
B-RIGHT HEADBOARD LEG 1PC



C-LEFT HEADBOARD LEG 1PC



D-FOOTBOARD 1PC



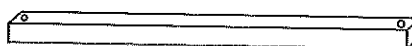
E-FEET 2PCS



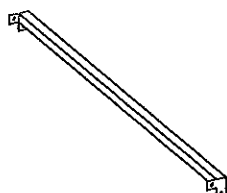
F-SUPPORT LEG 4PCS



G-SLAT 4PCS



H-HEADBOARD SUPPORT BAR 1PC

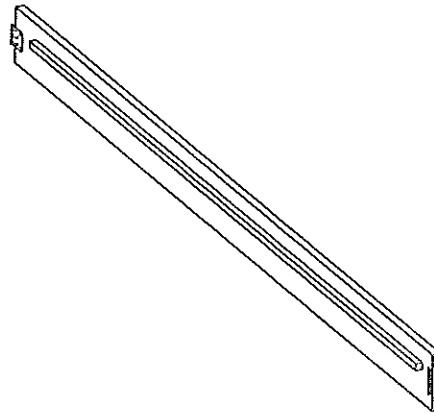


PARTS IDENTIFICATION:

B3:RAILS

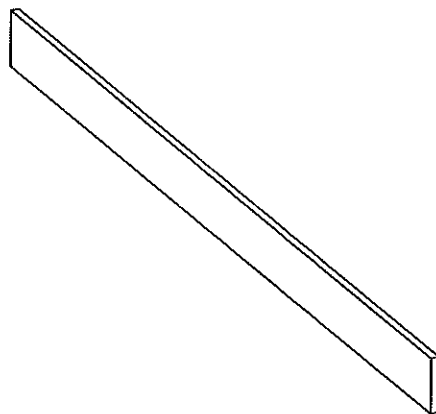
I-RIGHT SIDE RAIL

1PC



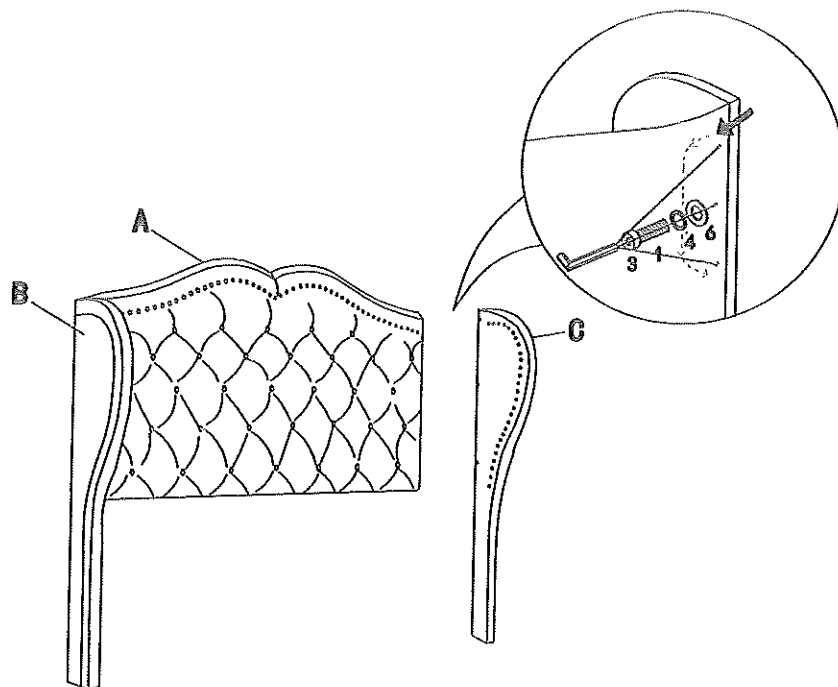
J-LEFT SIDE RAIL

1PC

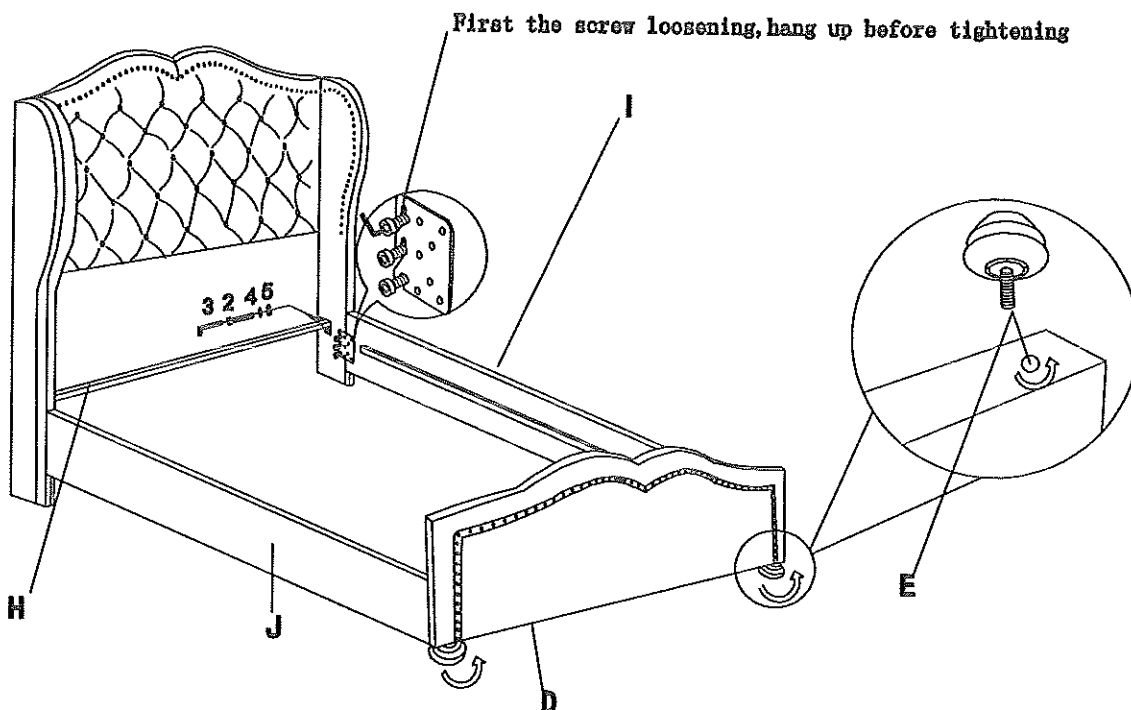


Assembly Instruction

STEP 1

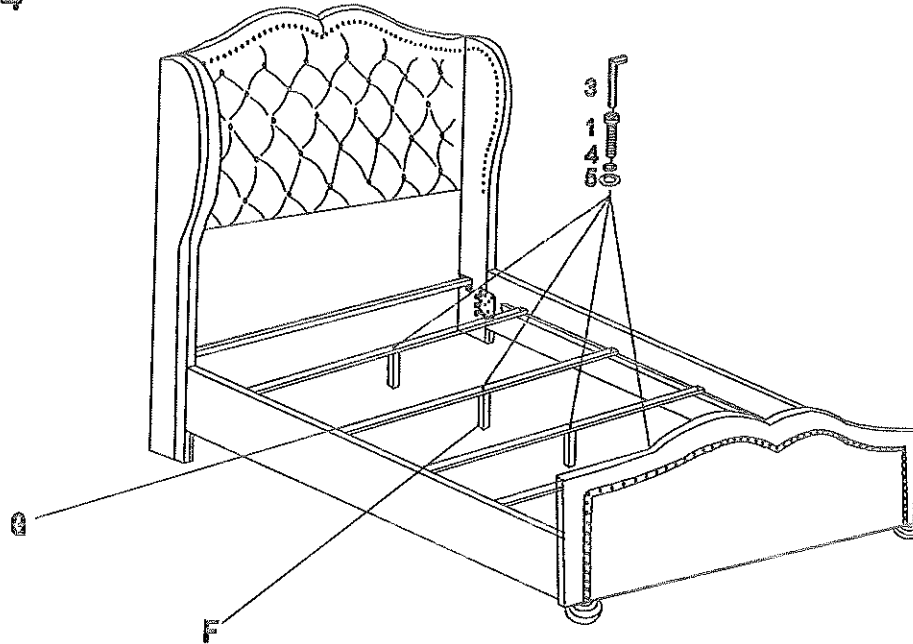


STEP 2



Assembly Instruction

STEP 4



STEP 5

