

ASSEMBLY INSTRUCTIONS
COASTER FINE FURNITURE



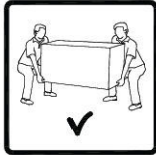
ASSEMBLY TIPS:

1. Remove hardware from box and sort by size.
2. Please check to see that all hardware and parts are present prior to start of assembly.
3. Please follow attached instructions in the same sequence as numbered to assure fast & easy assembly.



Warning!

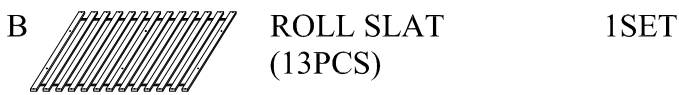
1. Don't attempt to repair or modify parts that are broken or defective. Please contact the store immediately.
2. This product is for home use only and not intended for commercial establishment.



ASSEMBLY TIME 30 MINUTES

PARTS IDENTIFICATION

B1 (BOX 1)



B2 (BOX 2)



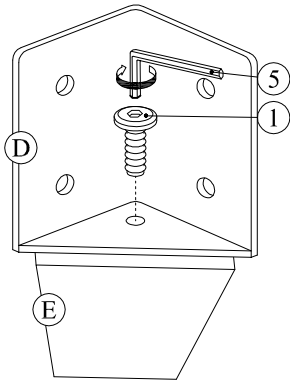
HARDWARE IDENTIFICATION

Z - B2 (BOX 2) - HARDWARE PACK IS LOCATED IN 301061KW (B2)

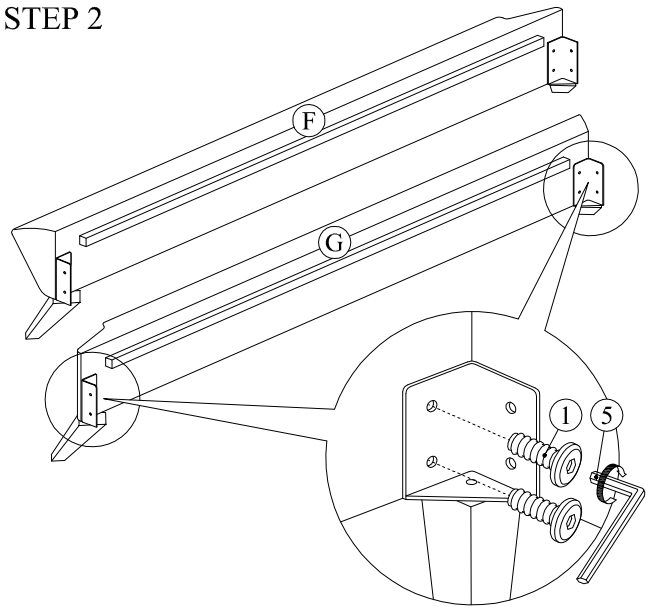


NOTE:PHILLIPS HEAD SCREW DRIVER IS REQUIRED IN THE ASSEMBLY PROCESS; HOWEVER MANUFACTURER DOES NOT PROVIDE THIS ITEM.

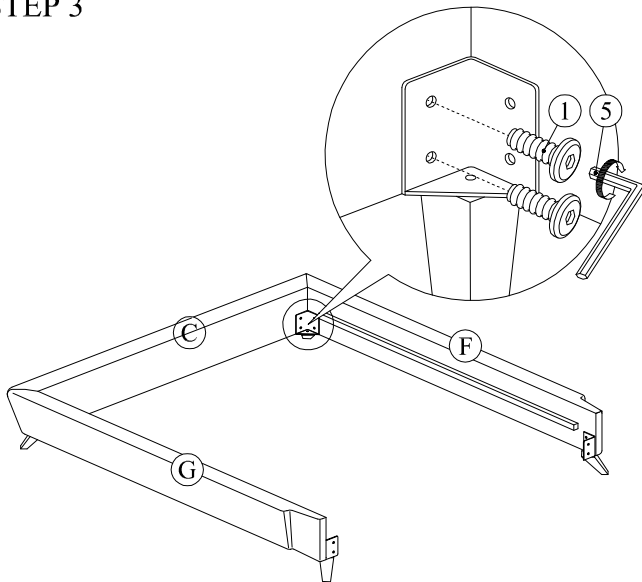
STEP 1



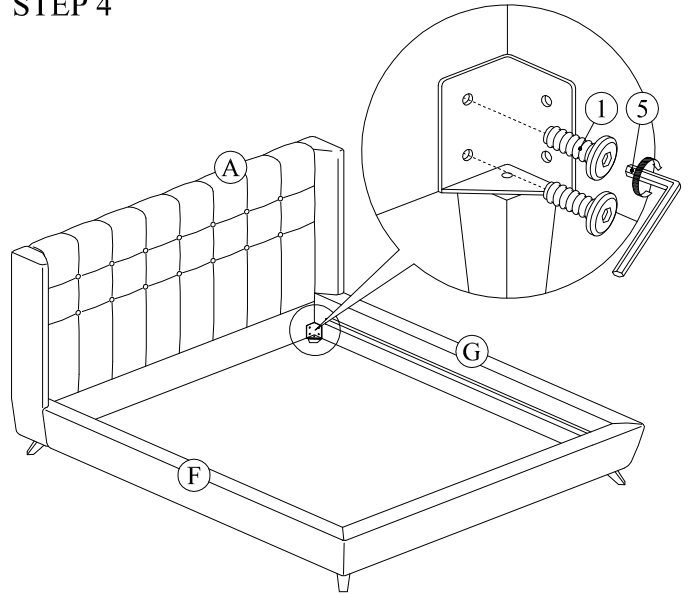
STEP 2



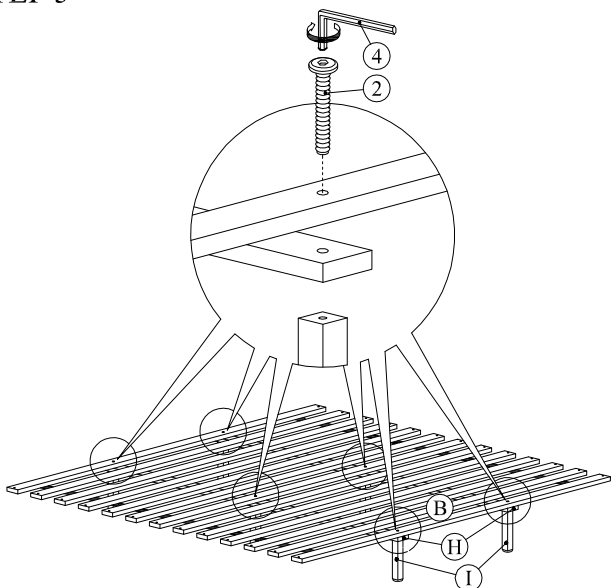
STEP 3



STEP 4



STEP 5



STEP 6

