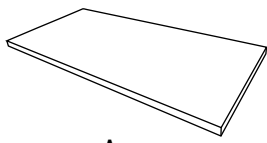


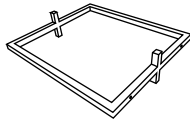
# ASSEMBLY INSTRUCTIONS

## Components



A  
x1

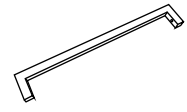
Hardware



B  
x2



C  
x2



D  
x2



a  
M6x4



b  
M8x8



c  
x4



d  
x8



e  
x1



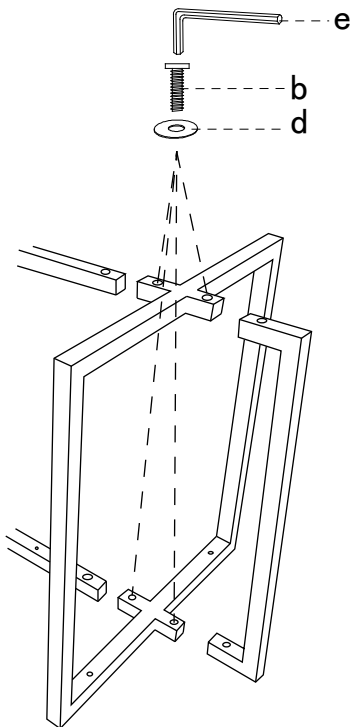
f  
x1



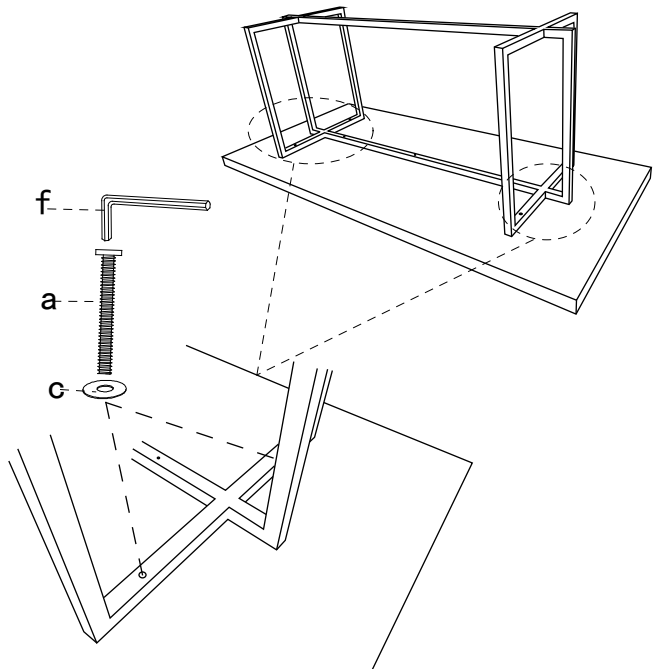
g  
x3

## Assembly Instructions

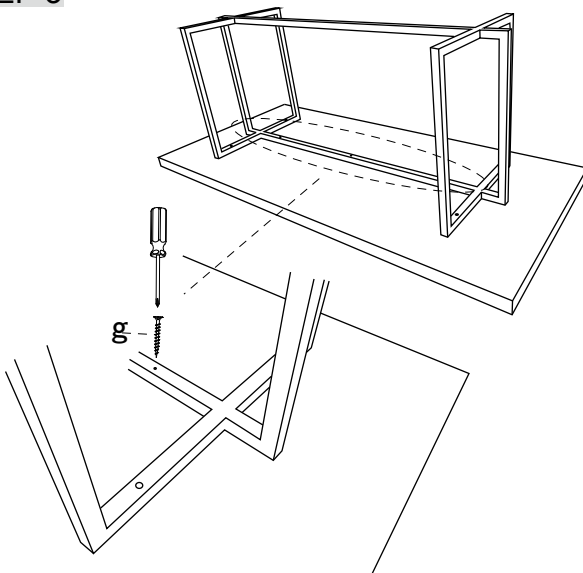
### STEP 1



### STEP 2



### STEP 3



### STEP 4

